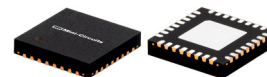


Digital Controlled Variable Gain Amplifier DVGA2-33APP+

50Ω 0.05 to 3 GHz
31.5 dB, 0.5 dB Step, 6 Bit Parallel Control

The Big Deal

- Integrated Amplifier and Digital Attenuator
- 19 dB Gain / 31.5 dB Gain Control
- Flat frequency response, ± 0.7 dB (700-2100 MHz)



CASE STYLE: DG1677

Product Overview

The DVGA2-33APP+ is a 50Ω RF Digital Variable Gain Amplifier that offers an attenuation of 31.5 dB in 0.5 dB steps using a 6-bit Parallel interface attenuator and 19dB gain using a InGaP HBT amplifier. Step attenuator used in DVGA2-33APP+ is produced using a unique combination of CMOS process on silicon, offering the performance of GaAs, with the advantages of conventional CMOS devices.

Key Features

Feature	Advantages
31.5 dB attenuation in 0.5 dB step size	Combining medium gain and a wide range of gain control makes the DVGA2-33APP+ an ideal building block for any RF chain where level setting control is required in a fast speed of parallel control interface.
Flat frequency response, ± 0.7 over 700-2100 MHz	No need for external components to flatten gain.
Medium Gain, 19 dB	Incorporating multiple stages of amplification, the DVGA2-33APP+ provides medium gain over a wideband reducing cost and PCB board space.
Good IP3, +30.7 dBm at 1.0 GHz	Use in receivers and transmitters giving the users advantage in instantaneous spur free dynamic range over wide bandwidths.
Output Power, +16.8 dBm at 1.0 GHz	The DVGA2-33APP+ maintains consistent output power capability over the full attenuation range and operating temperature range making it ideal to be used in remote applications such as LNB's as the L Band driver stage.
Attenuation Step size, 0.5 dB, accuracy 0.1 to 0.5 dB typ. Total attenuation, 31.5 dB	Enables precise control of gain in 0.5 dB steps up to 31.5 dB.
MCLP Package	Low Inductance, repeatable transitions, excellent thermal pad.
PCB area reduction	The DVGA2-33APP+ combines multiple functions common to TX/RX architectures into a single 5x5mm package
Flexibility in the application block diagram	The DVGA2-33APP+ provides access to the internal circuit through external jumper (see simplified schematic) enables designers flexibility to incorporate a wide range of additional circuits.

Digital Controlled Variable Gain Amplifier

50Ω 50 - 3000 MHz

19 dB Gain, 0.5 dB Step, 31.5 dB Attenuation,
6 Bit Parallel Control

Product Features

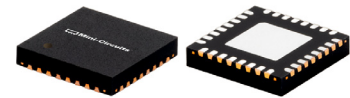
- 31.5 dB Gain control 0.5dB step size
- Gain, 19 dB nominal at 0dB attenuation and 1 GHz
- Useable to 4 GHz
- Parallel control interface
- Small size 5.0 x 5.0 mm

Typical Applications

- Base Station Infrastructure
- GPS
- LTE
- WCDMA

General Description

The DVGA2-33APP+ is a 50Ω RF Digital Variable Gain Amplifier that offers an attenuation of 31.5 dB in 0.5 dB steps using a 6-bit Parallel interface attenuator and 19dB gain using a InGaP HBT amplifier. Step attenuator used in DVGA2-33APP+ is produced using a unique combination of CMOS process on silicon, offering the performance of GaAs, with the advantages of conventional CMOS devices.



Generic photo used for illustration purposes only

CASE STYLE: DG1677

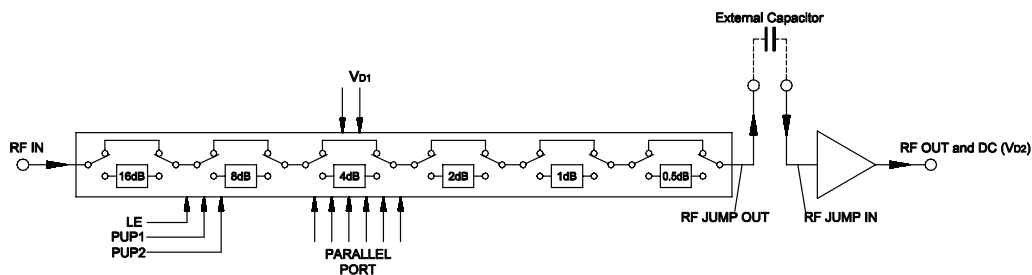
DVGA2-33APP+

+RoHS Compliant

The +Suffix identifies RoHS Compliance. See our web site for RoHS Compliance methodologies and qualifications

Simplified Schematic

(Refer to Table 1 for Pad description)



RF Electrical Specifications⁽¹⁾ at 25°C, 50Ω With V_{D1}=+3.0V, V_{D2}=+5V

Parameter	Condition (GHz)	Min.	Typ.	Max.	Units
Frequency Range		0.05		3.0	GHz
Gain (at 0 dB attenuation)	0.05	—	20.6	—	dB
	1.0	—	19.4	—	
	2.0	16.3	17.9	20.0	
	3.0	—	15.7	—	
Input Return Loss (all states)	0.05	—	13.2	—	dB
	1.0	—	13.6	—	
	2.0	—	10.8	—	
	3.0	—	10.8	—	
Output Return Loss (all states)	0.05	—	17.1	—	dB
	1.0	—	15.8	—	
	2.0	—	11.2	—	
	3.0	—	8.0	—	
Output Power @ 1 dB compression (all states)	0.05	—	16.5	—	dBm
	1.0	—	16.8	—	
	2.0	—	18.1	—	
	3.0	—	16.2	—	
Output IP3 (all states)	0.05	—	31.9	—	dBm
	1.0	—	30.7	—	
	2.0	—	31.5	—	
	3.0	—	29.1	—	
Noise Figure (at 0 dB attenuation)	0.05	—	4.7	—	dB
	1.0	—	4.9	—	
	2.0	—	5.3	—	
	3.0	—	5.2	—	
Accuracy @ 0.5 dB Attenuation Setting	0.05 - 1.0	—	0.02	0.12	dB
	1.0 - 3.0	—	0.13	0.23	
Accuracy @ 1 dB Attenuation Setting	0.05 - 1.0	—	0.02	0.13	dB
	1.0 - 3.0	—	0.22	0.3	
Accuracy @ 2 dB Attenuation Setting	0.05 - 1.0	—	0.02	0.16	dB
	1.0 - 3.0	—	0.41	0.6	
Accuracy @ 4 dB Attenuation Setting	0.05 - 1.0	—	0.03	0.3	dB
	1.0 - 3.0	—	0.58	0.7	
Accuracy @ 8 dB Attenuation Setting	0.05 - 1.0	—	0.05	0.4	dB
	1.0 - 3.0	—	0.97	1.1	
Accuracy @ 16 dB Attenuation Setting	0.05 - 1.0	—	0.13	0.6	dB
	1.0 - 3.0	—	1.21	1.4	
Thermal Resistance (Amplifier) ²		—	91	—	°C/W

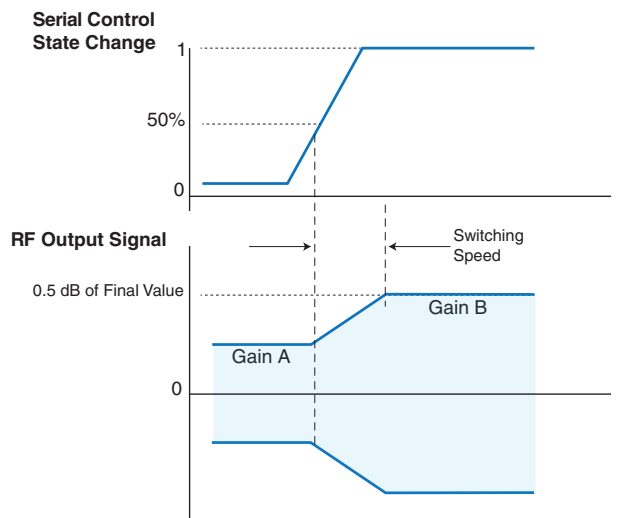
1. Measured in Mini-Circuits characterization test board TB-694A+. See characterization Test Circuit (Fig. 2)

2. Junction to ground paddle

Attenuation Switching Specifications

Parameter	Min.	Typ.	Max.	Units
Switching Speed, 50% Control to 0.5dB of Attenuation Value	—	1.0	—	μSec
Switching Rep Rate	—	—	25	KHz

Figure 1. Switching Speed



DC Electrical Specifications

Parameter	Min.	Typ.	Max.	Units
Supply Voltage, V_{D1}	2.7	3.0	3.3	V
V_{D2}	4.75	5.0	5.25	V
Supply Current, I_{D1}	—	—	200	μA
I_{D2}	—	69	78	mA
Control Input Low	-0.3	—	0.6	V
Control Input High	1.17	—	3.6	V
Control Current*	—	—	20	μA

*Except 30 μA typ. for C0.5, C16

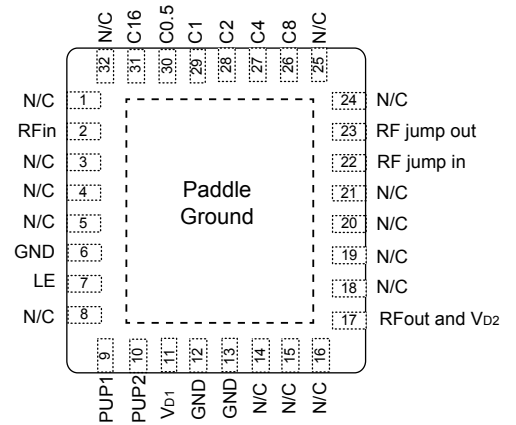
Absolute Maximum Ratings

Parameter	Ratings
Operating Temperature (ground pad)	-40°C to 85°C
Storage Temperature	-65°C to 150°C
V_{D1}	-0.3V Min., 5.5V Max.
V_{D2}	5.7V
Voltage on any control input	-0.3V Min., $V_{D1}+0.3V$ Max.
Input Power	+13dBm

Permanent damage may occur if any of these limits are exceeded.

Table 1. Pad Description

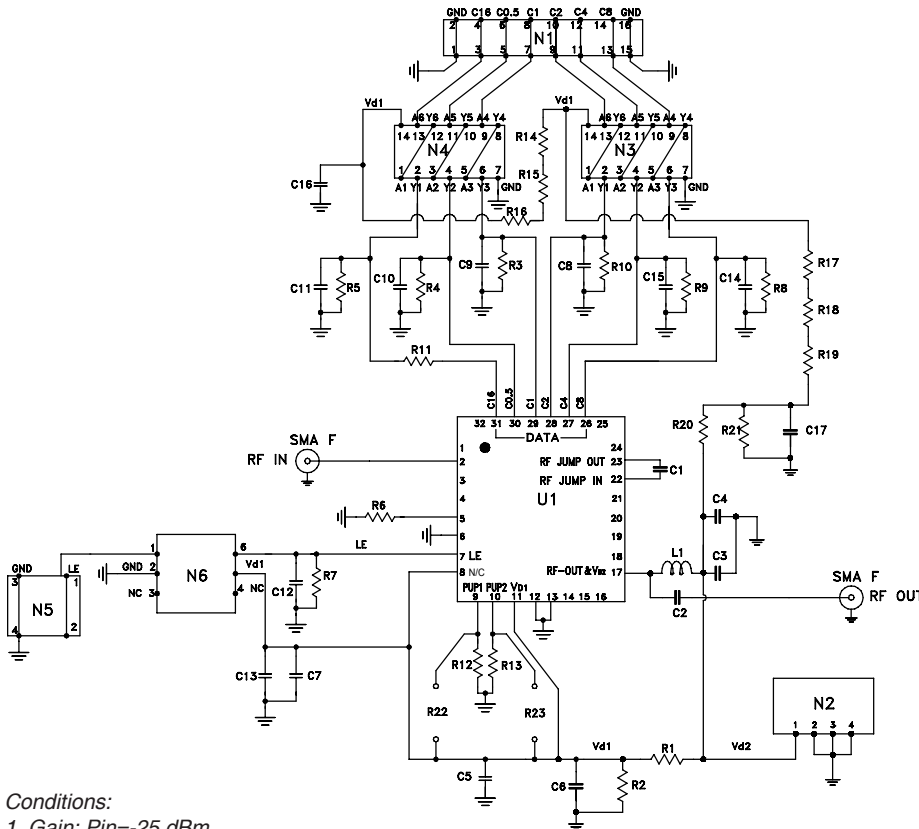
Pin Number	Function	Description
1	N/C	Not Connected
2	RF IN	RF Input Port (Note 1)
3	N/C	Not Connected
4	N/C	Not Connected
5	N/C	Not Connected (Note 4)
6	GND	Ground
7	LE	Latch Enable Input (Note 2)
8	N/C	No Connection
9	PUP1	Power-Up Selection
10	PUP2	Power-Up Selection
11	V _{D1}	V _{D1} Power Supply Input
12	GND	Ground
13	GND	Ground
14	N/C	Not Connected
15	N/C	Not Connected
16	N/C	Not Connected
17	RF OUT & V _{D2}	RF output and V _{D2} on same pad (external Bias Tee) (Note1,6)
18	N/C	Not Connected
19	N/C	Not Connected
20	N/C	Not Connected
21	N/C	Not Connected
22	RF JUMP IN	Interstage RF Jumper Input (Note 1)
23	RF JUMP OUT	Interstage RF Jumper Output (Note 1)
24	N/C	Not Connected
25	N/C	Not Connected
26	C8	Power Up Control for 8dB Att. Bit (Note 4)
27	C4	Power Up Control for 4dB Att. Bit (Note 4)
28	C2	Power Up Control for 2dB Att. Bit (Note 4)
29	C1	Power Up Control for 1dB Att. Bit (Note 4)
30	C0.5	Power Up Control for 0.5dB Att. Bit (Note 4)
31	C16	Power Up Control for 16dB Att. Bit (Note 3,4)
32	N/C	Not Connected
PADDLE	GND	Ground (Note5)



Notes:

1. All RF input and output ports shall be AC coupled with external blocking capacitor.
2. Latch Enable (LE) has an internal 2MΩ pull-up resistor to V_{D1}.
3. Place a 10KΩ resistor in series, as close to pin as possible to avoid freq. resonance (see layout drawing PL-383).
4. Place a 10KΩ resistor to ground.
5. The exposed solder pad on the bottom of the package (See Pin Configuration) must be grounded for proper device operation
6. See application and characterization test circuit and layout drawing PL-383.

Application and Characterization Test Circuit



Conditions:

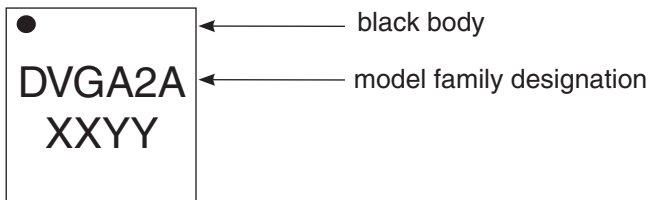
1. Gain: Pin=-25 dBm
2. Output IP3 (OIP3): two tones, spaced 1 MHz apart +5 dBm/ tone at output.
3. Schmitt trigger used in characterization circuit. Not required when application circuit includes recommended level settings.

Figure 2. Schematic of Test Circuit used for Characterization. (DUT soldered on Mini-Circuits Characterization Test Board TB-694A+). Gain, output power at 1 dB compression (P1dB) Output IP3 (OIP3), Noise Figure are measured using Agilent's N5242A PNA-X Microwave Network Analyzer.

Bill of Materials

Ref. Des.	Value / Description	Case Style, Size
U1	DVGA2-33APP+	
N1	CONN VERT HDR 2-ROW 16 POS	
N2	CONN VERT HDR 4POS 1.25MM	
N3,N4	HEX INVERT TRIGGER Fairchild P/N MM74HC14M	
N5	CONN VERT HDR 2-ROW 4 POS	
N6	SCHMITT TRIGGER BUFFER TI P/N SN74LVC2G17DCKR	
C1	1000 pF	0402
C2	1000 pF	0805
C3	1 uF	0805
C4	100 pF	0402
C5	100 pF	0603
C6,C17	0.47 uF	0805
C7	0.1 uF	0805
C8-C16	100 pF	0603
R1,R20	475 OHM	0603
R2,R21	681 OHM	0603
R3-R10	10 KOHM	0603
R11	10 KOHM	0402
R12,R13	475 OHM	0603
R14-R19	0 OHM	0603
R22-R23	OPTIONAL PULL UP RESISTORS FOR PUP1 AND PUP2	0603
L1	390 NH	0603

Product Marking



Simplified Schematic

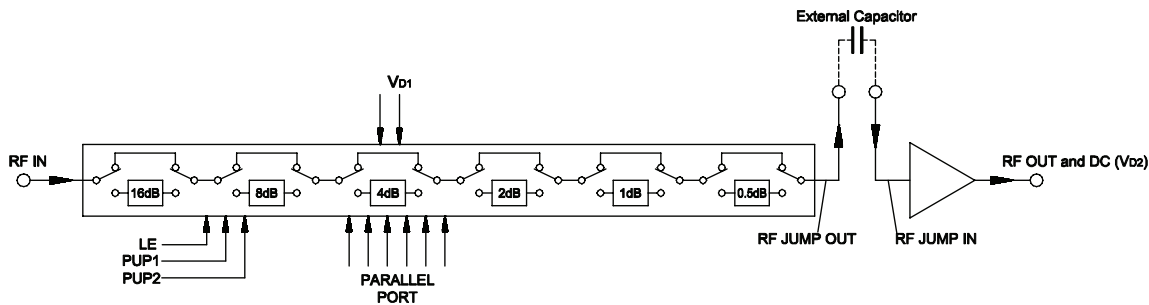


Figure 3. The DVGA2-33APP+ Parallel interface consists of 6 control bits that select the desired attenuation state, as shown in Table 2 Truth Table.

Table 2. Truth Table

Attenuation State	C16	C8	C4	C2	C1	C0.5
Reference	0	0	0	0	0	0
0.5 (dB)	0	0	0	0	0	1
1 (dB)	0	0	0	0	1	0
2 (dB)	0	0	0	1	0	0
4 (dB)	0	0	1	0	0	0
8 (dB)	0	1	0	0	0	0
16 (dB)	1	0	0	0	0	0
31.5 (dB)	1	1	1	1	1	1

Note: Not all 64 possible combinations of C0.5 - C16 are shown in table

The parallel interface timing requirements are defined by Figure 4 (Parallel Interface Timing Diagram) and Table 3 (Parallel Interface AC Characteristics), and switching speed.

For latched parallel programming the Latch Enable (LE) should be held LOW while changing attenuation state control values, then pulse LE HIGH to LOW (per Figure 1) to latch new attenuation state into device.

For direct parallel programming, the Latch Enable (LE) line should be pulled HIGH. Changing attenuation state control values will change device state to new attenuation. Direct mode is ideal for manual control of the device (using hardware, switches, or jumpers).

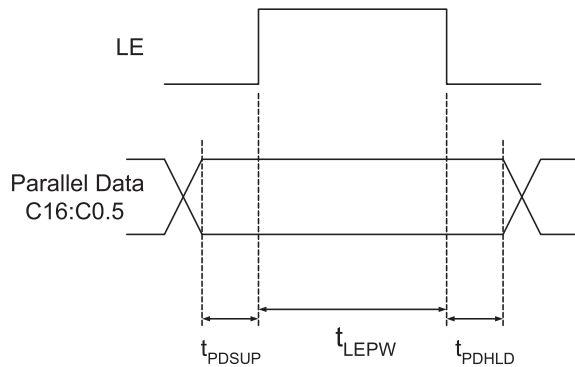


Figure 4. Parallel Interface Timing Diagram

Table 3. Parallel Interface AC Characteristics (V_{D1}=3V)

Symbol	Parameter	Min.	Max.	Units
t _{LEPW}	LE minimum pulse width	10		ns
t _{PDSUP}	Parallel data set-up time before clock rising edge of LE	10		ns
t _{PDHL}	Parallel data hold time after clock falling edge of LE	10		ns

Power-up Control Settings

The DVGA2-33APP+ always assumes a specifiable attenuation setting on power-up, allowing a known attenuation state to be established before an initial parallel control word is provided. When the attenuator powers up with LE=0, the six parallel control bits are set to one of four possible values. These values are selected by the two power up control bits; PUP1 and PUP2, as shown in Table 4 (Power-Up Truth table, Parallel Mode)

Attenuation State	PUP1	PUP2	LE
Reference	0	0	0
8 (dB)	0	1	0
16 (dB)	1	0	0
31 (dB)	1	1	0
Defined by C0.5-C16 (See Table 1 - Truth Table)	X (Note 1)	X (Note1)	1

Note 1: PUP1 and PUP2 Connection may be 0, 1, GROUND, or No connection without effect on attenuation state.

Power-Up LE=1 provides normal parallel operation with c0.5-c16, and PUP1 and PUP2 are not active.

Additional Detailed Technical Information	
<i>additional information is available on our dash board. To access this information click here</i>	
Performance Data	Data Table
	Swept Graphs
	S-Parameter (S2P Files) Data Set (.zip file)
Case Style	DG1677 Plastic package, exposed paddle, lead finish: Ni/Pd/Au
Tape & Reel Standard quantities available on reel	F68 7" reels with 20,50,100,200, 500 or 1K devices
Suggested Layout for PCB Design	PL-383
Evaluation Board	TB-694A+
Environmental Ratings	ENV66

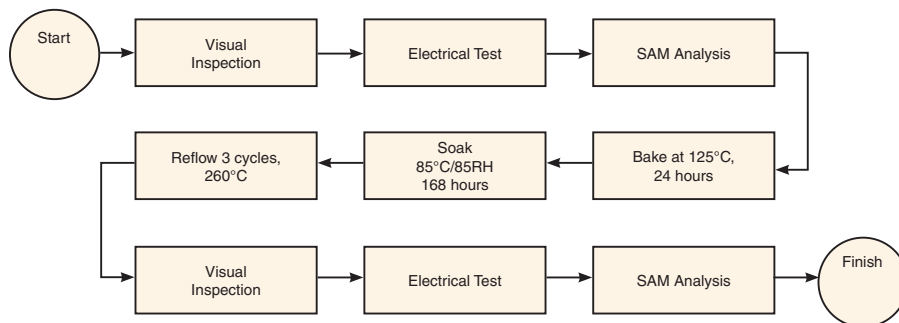
ESD Rating

Human Body Model (HBM): Class 1A (250 to <500V) in accordance with ANSI/ESD STM 5.1 - 2001

Machine Model (MM): Class M1 (100V) in accordance with ANSI/ESD STM5.2-1999

MSL Rating

Moisture Sensitivity: MSL1 in accordance with IPC/JEDEC J-STD-020D



Additional Notes

- A. Performance and quality attributes and conditions not expressly stated in this specification document are intended to be excluded and do not form a part of this specification document.
- B. Electrical specifications and performance data contained in this specification document are based on Mini-Circuit's applicable established test performance criteria and measurement instructions.
- C. The parts covered by this specification document are subject to Mini-Circuits standard limited warranty and terms and conditions (collectively, "Standard Terms"); Purchasers of this part are entitled to the rights and benefits contained therein. For a full statement of the Standard Terms and the exclusive rights and remedies thereunder, please visit Mini-Circuits' website at www.minicircuits.com/MCLStore/terms.jsp

Digital Variable Gain Amplifier

DVGA2-33APP+

Typical Performance Data

TEST CONDITIONS: Vd1 = +3V, Vd2 = +5V @ Temperature = +25degC

FREQ	GAIN @ 0dB Step	STEP ATTENUATION @							Output IP3 @ 0dB Step	Pout at 1dB Comp @ 0dB Step	Noise Figure @ 0dB Step
		0.5 dB	1.0 dB	2 dB	4 dB	8 dB	16 dB	31.5 dB			
(MHz)	(dB)	(dB)	(dB)	(dB)	(dB)	(dB)	(dB)	(dB)	(dBm)	(dBm)	(dB)
50	20.56	0.52	1.02	2.01	4.01	8.01	15.99	31.51	31.90	16.51	4.74
60	20.44	0.52	1.02	2.00	4.00	7.99	15.98	31.48	31.91	16.72	4.77
70	20.34	0.52	1.02	2.00	3.99	7.98	15.97	31.47	32.00	17.02	4.99
80	20.28	0.52	1.02	1.99	3.99	7.97	15.96	31.46	31.75	16.96	4.79
90	20.23	0.52	1.02	1.99	3.98	7.97	15.96	31.45	31.57	16.84	4.84
100	20.20	0.52	1.02	1.99	3.98	7.97	15.96	31.44	31.75	17.17	4.77
200	20.02	0.52	1.02	1.98	3.97	7.95	15.94	31.43	31.63	17.09	4.62
300	19.93	0.52	1.01	1.98	3.97	7.95	15.93	31.41	32.12	17.21	4.76
400	19.85	0.52	1.01	1.99	3.98	7.95	15.92	31.40	33.22	17.40	4.72
500	19.76	0.52	1.01	1.99	3.98	7.95	15.91	31.39	31.52	16.78	4.74
600	19.68	0.52	1.01	2.00	3.98	7.95	15.90	31.37	32.23	17.22	4.85
700	19.58	0.52	1.01	2.00	3.99	7.95	15.89	31.35	31.93	17.18	5.07
800	19.46	0.52	1.01	2.01	3.99	7.95	15.88	31.33	32.12	17.32	4.89
900	19.44	0.51	1.01	2.01	3.99	7.95	15.87	31.32	32.17	17.32	4.92
1000	19.38	0.52	1.01	2.02	4.00	7.96	15.88	31.32	30.69	16.84	4.92
1100	19.29	0.52	1.01	2.01	3.99	7.96	15.88	31.30	31.44	17.11	5.07
1200	19.19	0.52	1.01	2.01	3.99	7.96	15.88	31.29	31.64	17.20	5.05
1300	19.08	0.52	1.01	2.01	3.99	7.96	15.88	31.28	31.92	17.75	5.09
1400	18.96	0.52	1.01	2.01	3.99	7.96	15.88	31.27	31.67	17.74	5.12
1500	18.82	0.52	1.01	2.01	3.98	7.96	15.88	31.25	31.99	17.94	5.16
1600	18.69	0.52	1.01	2.01	3.98	7.96	15.89	31.23	32.08	18.19	5.27
1700	18.53	0.52	1.01	2.01	3.98	7.97	15.90	31.23	31.99	18.13	5.26
1800	18.35	0.52	1.02	2.01	3.98	7.97	15.92	31.22	32.13	18.23	5.25
1900	18.13	0.52	1.02	2.01	3.98	7.98	15.93	31.21	31.84	18.16	5.30
2000	17.91	0.53	1.03	2.02	4.00	8.00	15.96	31.24	31.50	18.14	5.29
2200	17.46	0.54	1.05	2.06	4.05	8.09	16.07	31.29	31.12	17.92	5.30
2400	16.99	0.56	1.08	2.12	4.14	8.23	16.25	31.43	30.43	17.39	5.33
2600	16.43	0.57	1.11	2.19	4.25	8.41	16.49	31.59	29.89	16.87	5.28
2800	16.09	0.61	1.17	2.31	4.43	8.71	16.87	31.84	29.67	16.77	5.24
3000	15.74	0.63	1.22	2.41	4.58	8.97	17.21	32.06	29.07	16.24	5.20



P.O. Box 350166, Brooklyn, New York 11235-0003 (718) 934-4500 • Fax (718) 332-4661 For detailed performance specs & shopping online see Mini-Circuits web site www.minicircuits.com



The Design Engineers Search Engine Provides ACTUAL Data Instantly From MINI-CIRCUITS At: www.minicircuits.com

IF/RF MICROWAVE COMPONENTS

REV. OR
DVGA2-33APP+
6/7/2016

Page 1 of 9

Digital Variable Gain Amplifier

DVGA2-33APP+

Typical Performance Data

TEST CONDITIONS: Vd1 = +3V, Vd2 = +5V @ Temperature = -40degC

FREQ	GAIN @ 0dB Step	STEP ATTENUATION @							Output IP3 @ 0dB Step	Pout at 1dB Comp @ 0dB Step	Noise Figure @ 0dB Step
		0.5 dB	1.0 dB	2 dB	4 dB	8 dB	16 dB	31.5 dB			
(MHz)	(dB)	(dB)	(dB)	(dB)	(dB)	(dB)	(dB)	(dB)	(dBm)	(dBm)	(dB)
50	20.91	0.54	1.05	2.05	4.07	8.12	16.08	31.71	32.21	16.36	4.29
60	20.78	0.54	1.04	2.04	4.05	8.09	16.05	31.69	32.33	16.57	4.35
70	20.69	0.54	1.04	2.03	4.04	8.08	16.04	31.67	32.79	16.87	4.01
80	20.62	0.53	1.04	2.02	4.03	8.07	16.03	31.65	32.17	16.80	3.87
90	20.58	0.53	1.04	2.02	4.03	8.07	16.02	31.64	31.98	16.66	3.78
100	20.54	0.53	1.04	2.02	4.02	8.06	16.02	31.64	32.23	17.01	3.90
200	20.38	0.53	1.04	2.01	4.01	8.05	16.01	31.61	32.25	16.88	3.85
300	20.30	0.53	1.04	2.01	4.01	8.04	15.99	31.59	32.52	17.05	3.91
400	20.23	0.53	1.04	2.01	4.01	8.04	15.99	31.58	33.25	17.34	3.89
500	20.14	0.53	1.04	2.02	4.02	8.04	15.98	31.57	31.91	16.72	3.87
600	20.08	0.53	1.04	2.02	4.02	8.05	15.98	31.55	32.81	17.24	4.03
700	20.00	0.54	1.04	2.03	4.03	8.06	15.97	31.53	32.74	17.24	4.00
800	19.86	0.54	1.04	2.04	4.04	8.07	15.97	31.52	32.74	17.37	4.03
900	19.85	0.54	1.04	2.05	4.05	8.08	15.98	31.52	32.81	17.38	4.12
1000	19.82	0.54	1.04	2.06	4.06	8.09	15.99	31.53	31.40	16.86	4.04
1100	19.74	0.54	1.04	2.06	4.07	8.10	16.00	31.52	32.16	17.18	4.16
1200	19.66	0.54	1.05	2.07	4.07	8.11	16.01	31.53	32.33	17.26	4.15
1300	19.57	0.55	1.05	2.07	4.08	8.13	16.03	31.52	32.70	17.84	4.20
1400	19.46	0.55	1.05	2.07	4.09	8.14	16.04	31.50	32.50	17.88	4.21
1500	19.33	0.55	1.05	2.07	4.08	8.14	16.04	31.47	32.84	18.20	4.25
1600	19.21	0.55	1.05	2.08	4.09	8.15	16.05	31.45	33.02	18.53	4.34
1700	19.09	0.55	1.06	2.08	4.10	8.16	16.07	31.44	32.97	18.51	4.32
1800	18.95	0.55	1.06	2.09	4.10	8.18	16.10	31.42	33.10	18.69	4.32
1900	18.75	0.56	1.07	2.09	4.11	8.19	16.11	31.41	32.82	18.69	4.36
2000	18.55	0.56	1.08	2.10	4.13	8.23	16.16	31.42	32.54	18.71	4.35
2200	18.13	0.57	1.10	2.15	4.19	8.33	16.29	31.46	32.26	18.56	4.36
2400	17.69	0.59	1.13	2.21	4.29	8.50	16.49	31.58	31.51	18.06	4.38
2600	17.22	0.62	1.18	2.30	4.43	8.72	16.77	31.75	31.03	17.68	4.32
2800	16.83	0.66	1.25	2.45	4.66	9.07	17.19	32.02	30.74	17.64	4.26
3000	16.52	0.69	1.31	2.56	4.83	9.36	17.55	32.24	30.12	17.11	4.16



P.O. Box 350166, Brooklyn, New York 11235-0003 (718) 934-4500 • Fax (718) 332-4661 For detailed performance specs & shopping online see Mini-Circuits web site www.minicircuits.com



The Design Engineers Search Engine Provides ACTUAL Data Instantly From MINI-CIRCUITS At: www.minicircuits.com

IF/RF MICROWAVE COMPONENTS

REV. OR
DVGA2-33APP+
6/7/2016
Page 2 of 9

Digital Variable Gain Amplifier

DVGA2-33APP+

Typical Performance Data

TEST CONDITIONS: Vd1 = +3V, Vd2 = +5V @ Temperature = +85degC

FREQ	GAIN @ 0dB Step	STEP ATTENUATION @							Output IP3 @ 0dB Step	Pout at 1dB Comp @ 0dB Step	Noise Figure @ 0dB Step
		0.5 dB	1.0 dB	2 dB	4 dB	8 dB	16 dB	31.5 dB			
(MHz)	(dB)	(dB)	(dB)	(dB)	(dB)	(dB)	(dB)	(dB)	(dBm)	(dBm)	(dB)
50	20.22	0.51	1.01	2.00	3.99	7.94	15.94	31.33	31.51	16.58	5.40
60	20.09	0.51	1.01	1.99	3.97	7.93	15.93	31.31	31.50	16.80	5.67
70	20.01	0.51	1.01	1.98	3.97	7.92	15.92	31.31	31.81	17.09	5.48
80	19.94	0.51	1.01	1.98	3.96	7.91	15.92	31.29	31.34	17.05	5.41
90	19.90	0.51	1.01	1.98	3.96	7.91	15.92	31.28	30.99	16.94	5.54
100	19.86	0.51	1.01	1.97	3.96	7.91	15.91	31.28	31.50	17.26	5.41
200	19.68	0.51	1.00	1.97	3.95	7.89	15.90	31.26	31.52	17.23	5.33
300	19.59	0.51	1.00	1.97	3.95	7.90	15.89	31.26	32.02	17.29	5.47
400	19.50	0.51	1.00	1.98	3.96	7.90	15.88	31.26	32.45	17.38	5.45
500	19.39	0.51	1.00	1.99	3.96	7.89	15.86	31.23	31.05	16.76	5.45
600	19.31	0.51	0.99	1.99	3.96	7.89	15.85	31.21	31.68	17.17	5.58
700	19.19	0.51	0.99	1.99	3.96	7.88	15.82	31.18	31.27	17.12	5.62
800	19.09	0.51	0.99	1.99	3.96	7.87	15.80	31.15	31.61	17.25	5.63
900	19.04	0.50	0.98	1.99	3.95	7.87	15.79	31.13	31.57	17.26	5.68
1000	18.97	0.50	0.98	1.99	3.95	7.87	15.79	31.13	30.23	16.86	5.70
1100	18.88	0.50	0.98	1.99	3.95	7.86	15.79	31.11	31.04	17.10	5.82
1200	18.77	0.50	0.99	1.98	3.94	7.86	15.78	31.10	31.16	17.19	5.83
1300	18.64	0.51	0.99	1.98	3.93	7.85	15.78	31.09	31.55	17.63	5.83
1400	18.51	0.51	0.99	1.98	3.93	7.86	15.79	31.09	31.23	17.62	5.89
1500	18.36	0.51	0.99	1.97	3.92	7.85	15.79	31.08	31.51	17.76	5.94
1600	18.21	0.51	0.99	1.97	3.92	7.85	15.81	31.08	31.57	17.90	6.00
1700	18.03	0.51	1.00	1.97	3.92	7.85	15.81	31.07	31.41	17.79	6.02
1800	17.83	0.51	1.00	1.97	3.91	7.85	15.81	31.07	31.57	17.80	6.02
1900	17.59	0.51	1.00	1.97	3.91	7.85	15.82	31.07	31.04	17.68	6.07
2000	17.35	0.52	1.00	1.98	3.92	7.86	15.83	31.08	30.71	17.63	6.08
2200	16.87	0.52	1.02	2.01	3.95	7.92	15.91	31.15	30.13	17.35	6.09
2400	16.35	0.53	1.04	2.05	4.02	8.02	16.05	31.28	29.53	16.73	6.13
2600	15.66	0.55	1.07	2.11	4.11	8.17	16.25	31.43	28.94	16.07	6.12
2800	15.39	0.57	1.11	2.22	4.27	8.44	16.60	31.69	28.69	15.92	6.12
3000	15.00	0.60	1.16	2.30	4.40	8.68	16.92	31.90	28.06	15.41	6.04



P.O. Box 350166, Brooklyn, New York 11235-0003 (718) 934-4500 • Fax (718) 332-4661 For detailed performance specs & shopping online see Mini-Circuits web site www.minicircuits.com



The Design Engineers Search Engine Provides ACTUAL Data Instantly From MINI-CIRCUITS At: www.minicircuits.com

IF/RF MICROWAVE COMPONENTS

REV. OR
DVGA2-33APP+
6/7/2016

Typical Performance Data

TEST CONDITIONS: Vd1 = +3V, Vd2 = +5V @ Temperature = +25degC

FREQ	INPUT RETURN LOSS @							
	0 dB	0.5 dB	1 dB	2 dB	4 dB	8 dB	16 dB	31.5 dB
(MHz)	(dB)	(dB)	(dB)	(dB)	(dB)	(dB)	(dB)	(dB)
50	13.19	14.36	15.41	16.13	18.38	21.90	31.52	39.27
60	14.90	16.08	17.19	17.65	19.44	22.40	31.73	39.01
70	16.42	17.62	18.76	18.85	20.26	22.71	31.79	38.84
80	17.84	19.10	20.30	19.91	20.91	22.92	31.63	38.35
90	19.06	20.39	21.59	20.75	21.38	23.07	31.65	38.27
100	20.22	21.56	22.88	21.45	21.69	23.16	31.57	38.04
200	25.66	27.43	28.89	23.46	22.42	23.27	31.24	35.82
300	22.61	23.75	24.71	22.04	21.72	23.01	30.82	33.69
400	19.76	20.69	21.51	20.34	20.73	22.61	30.29	31.83
500	17.64	18.51	19.31	18.85	19.75	22.11	29.59	30.29
600	16.40	17.27	18.02	17.85	19.02	21.73	29.08	29.15
700	15.30	16.15	16.90	16.95	18.32	21.28	28.48	28.04
800	14.41	15.25	16.00	16.17	17.67	20.87	27.83	27.02
900	13.98	14.83	15.57	15.78	17.32	20.60	27.31	26.17
1000	13.62	14.45	15.17	15.41	16.99	20.32	26.71	25.31
1100	13.31	14.12	14.82	15.09	16.67	20.02	26.08	24.45
1200	13.10	13.89	14.57	14.86	16.44	19.78	25.39	23.58
1300	12.92	13.68	14.32	14.64	16.20	19.49	24.56	22.61
1400	12.80	13.52	14.13	14.46	15.99	19.22	23.68	21.65
1500	12.68	13.36	13.92	14.29	15.78	18.92	22.75	20.68
1600	12.38	13.01	13.52	13.97	15.45	18.49	21.78	19.71
1700	12.11	12.69	13.16	13.69	15.16	18.12	20.92	18.83
1800	11.79	12.35	12.78	13.39	14.87	17.76	20.08	17.97
1900	11.25	11.78	12.18	12.90	14.40	17.24	19.15	17.14
2000	10.75	11.27	11.67	12.46	14.01	16.81	18.35	16.38
2200	10.00	10.53	10.90	11.84	13.44	16.07	16.80	14.97
2400	9.57	10.11	10.49	11.52	13.14	15.46	15.43	13.78
2600	9.54	10.11	10.46	11.59	13.17	15.01	14.32	12.82
2800	9.89	10.60	10.96	12.19	13.70	14.83	13.41	12.10
3000	10.84	11.66	11.99	13.30	14.54	14.61	12.66	11.52

Typical Performance Data

TEST CONDITIONS: Vd1 = +3V, Vd2 = +5V @ Temperature = -40degC

FREQ	INPUT RETURN LOSS @							
	0 dB	0.5 dB	1 dB	2 dB	4 dB	8 dB	16 dB	31.5 dB
(MHz)	(dB)	(dB)	(dB)	(dB)	(dB)	(dB)	(dB)	(dB)
50	13.31	14.53	15.72	17.05	20.56	28.29	30.42	26.59
60	15.09	16.34	17.52	18.79	22.12	29.66	30.44	26.68
70	16.66	17.95	19.18	20.30	23.45	30.78	30.67	26.82
80	18.20	19.58	20.82	21.74	24.64	31.64	30.83	26.95
90	19.57	21.00	22.35	22.95	25.55	32.24	30.86	27.04
100	20.95	22.49	23.94	24.13	26.37	32.61	31.00	27.18
200	29.56	33.24	36.77	28.24	27.76	30.98	29.79	26.52
300	24.52	25.42	25.91	25.18	25.88	28.98	26.93	24.51
400	20.90	21.70	22.30	22.63	24.13	27.75	25.93	23.66
500	18.37	19.23	19.96	20.51	22.46	26.60	25.63	23.34
600	16.90	17.76	18.53	19.16	21.25	25.55	25.30	23.02
700	15.46	16.33	17.11	17.79	19.96	24.29	24.88	22.67
800	14.23	15.13	15.92	16.61	18.78	23.05	24.02	21.91
900	13.87	14.76	15.53	16.22	18.36	22.44	23.12	21.06
1000	13.53	14.41	15.18	15.88	18.05	22.13	22.52	20.47
1100	13.12	14.02	14.79	15.51	17.70	21.73	22.08	20.04
1200	12.91	13.82	14.58	15.30	17.50	21.48	21.54	19.52
1300	12.83	13.71	14.49	15.22	17.40	21.35	21.23	19.18
1400	12.63	13.52	14.29	15.01	17.20	21.12	21.08	18.99
1500	12.36	13.23	13.95	14.66	16.76	20.47	20.55	18.51
1600	12.03	12.85	13.52	14.26	16.24	19.70	19.80	17.86
1700	11.79	12.59	13.23	13.96	15.92	19.17	19.20	17.27
1800	11.54	12.32	12.94	13.67	15.56	18.57	18.46	16.63
1900	11.04	11.77	12.34	13.13	14.95	17.75	17.59	15.91
2000	10.57	11.28	11.85	12.67	14.50	17.15	16.90	15.26
2200	9.79	10.49	11.01	11.90	13.64	15.86	15.34	13.90
2400	9.29	10.02	10.52	11.46	13.11	14.83	13.93	12.65
2600	9.16	9.91	10.39	11.36	12.81	13.84	12.59	11.49
2800	9.46	10.40	10.94	11.99	13.30	13.47	11.71	10.74
3000	10.29	11.40	11.96	13.02	13.95	13.14	11.08	10.22

Typical Performance Data

TEST CONDITIONS: Vd1 = +3V, Vd2 = +5V @ Temperature = +85degC

FREQ	INPUT RETURN LOSS @							
	0 dB	0.5 dB	1 dB	2 dB	4 dB	8 dB	16 dB	31.5 dB
(MHz)	(dB)	(dB)	(dB)	(dB)	(dB)	(dB)	(dB)	(dB)
50	12.97	14.01	14.97	15.17	16.46	18.24	22.39	24.60
60	14.60	15.64	16.59	16.39	17.25	18.54	22.48	24.75
70	16.00	17.06	18.03	17.37	17.84	18.77	22.62	24.87
80	17.31	18.35	19.30	18.17	18.27	18.94	22.68	24.90
90	18.40	19.44	20.40	18.81	18.60	19.09	22.80	25.03
100	19.41	20.47	21.39	19.30	18.86	19.18	22.85	25.10
200	23.60	24.55	25.17	20.86	19.58	19.61	23.37	25.69
300	20.92	21.74	22.41	19.59	18.87	19.22	22.99	25.21
400	18.38	19.12	19.77	18.07	17.90	18.60	22.40	24.46
500	16.57	17.29	17.94	16.90	17.12	18.19	22.00	23.92
600	15.49	16.22	16.85	16.13	16.60	17.92	21.84	23.62
700	14.52	15.22	15.87	15.40	16.06	17.59	21.57	23.15
800	13.76	14.46	15.09	14.76	15.54	17.25	21.21	22.61
900	13.36	14.04	14.63	14.40	15.23	17.03	20.97	22.10
1000	13.09	13.75	14.32	14.14	15.00	16.85	20.72	21.58
1100	12.88	13.52	14.05	13.92	14.80	16.70	20.50	21.06
1200	12.80	13.41	13.92	13.83	14.72	16.66	20.36	20.62
1300	12.74	13.33	13.80	13.75	14.65	16.62	20.21	20.13
1400	12.73	13.27	13.71	13.72	14.61	16.60	20.04	19.61
1500	12.71	13.21	13.59	13.69	14.59	16.60	19.84	19.09
1600	12.53	12.98	13.32	13.54	14.47	16.52	19.57	18.55
1700	12.30	12.72	13.04	13.38	14.37	16.51	19.37	18.06
1800	12.08	12.47	12.75	13.22	14.28	16.50	19.14	17.58
1900	11.51	11.89	12.18	12.80	13.96	16.31	18.75	17.05
2000	11.08	11.47	11.75	12.47	13.74	16.21	18.44	16.57
2200	10.26	10.66	10.93	11.88	13.33	15.95	17.58	15.54
2400	9.76	10.18	10.44	11.55	13.09	15.73	16.61	14.59
2600	9.64	10.08	10.33	11.59	13.22	15.70	15.77	13.84
2800	10.02	10.56	10.81	12.19	13.82	15.80	14.93	13.19
3000	10.96	11.58	11.77	13.31	14.82	15.85	14.17	12.68

Typical Performance Data

TEST CONDITIONS: Vd1 = +3V, Vd2 = +5V @ Temperature = +25degC

FREQ	OUTPUT RETURN LOSS @							
	0 dB	0.5 dB	1 dB	2 dB	4 dB	8 dB	16 dB	31.5 dB
(MHz)	(dB)	(dB)	(dB)	(dB)	(dB)	(dB)	(dB)	(dB)
50	23.57	23.09	23.03	20.36	19.36	18.77	19.49	17.12
60	27.04	26.40	26.32	22.53	21.38	20.62	21.51	18.62
70	30.49	29.52	29.46	24.41	22.96	22.07	23.09	19.69
80	33.69	32.28	32.05	25.80	24.08	23.03	24.25	20.39
90	37.53	35.75	35.26	27.09	25.03	23.89	25.28	21.02
100	41.85	38.94	38.43	27.98	25.78	24.49	26.03	21.43
200	33.72	34.17	34.22	29.06	26.89	25.74	27.66	22.31
300	28.54	28.59	28.76	26.39	25.21	24.56	26.10	21.58
400	25.68	25.69	25.77	24.18	23.39	23.09	24.45	20.58
500	23.34	23.29	23.41	22.06	21.54	21.43	22.58	19.33
600	21.86	21.85	21.91	20.78	20.38	20.42	21.47	18.50
700	20.96	20.91	21.01	19.85	19.52	19.63	20.65	17.83
800	19.76	19.69	19.80	18.71	18.45	18.59	19.59	16.94
900	18.79	18.74	18.86	17.85	17.64	17.88	18.85	16.29
1000	18.12	18.11	18.24	17.26	17.11	17.39	18.35	15.83
1100	17.61	17.63	17.77	16.83	16.73	17.07	18.05	15.53
1200	17.21	17.23	17.40	16.51	16.45	16.86	17.84	15.31
1300	16.76	16.83	17.02	16.23	16.23	16.73	17.75	15.16
1400	16.35	16.45	16.65	15.98	16.04	16.62	17.67	15.03
1500	15.71	15.85	16.05	15.52	15.67	16.34	17.42	14.79
1600	14.95	15.11	15.32	14.91	15.11	15.87	16.93	14.35
1700	14.06	14.23	14.43	14.12	14.35	15.14	16.17	13.74
1800	13.00	13.17	13.37	13.11	13.37	14.15	15.11	12.88
1900	12.14	12.30	12.49	12.26	12.51	13.23	14.08	12.06
2000	11.30	11.46	11.62	11.39	11.61	12.25	12.98	11.17
2200	10.05	10.16	10.28	9.96	10.05	10.48	10.94	9.51
2400	9.36	9.40	9.47	9.00	8.95	9.12	9.36	8.27
2600	9.88	9.84	9.81	9.13	8.89	8.79	8.82	7.98
2800	9.15	8.99	8.88	8.09	7.71	7.40	7.27	6.74
3000	9.45	9.20	9.00	8.09	7.59	7.12	6.87	6.55

Typical Performance Data

TEST CONDITIONS: Vd1 = +3V, Vd2 = +5V @ Temperature = -40degC

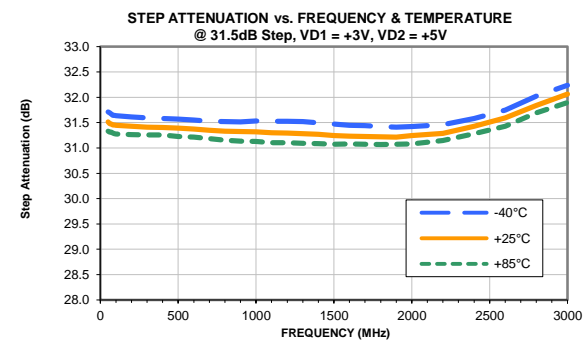
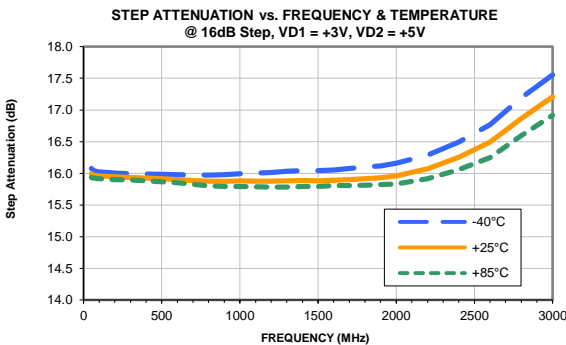
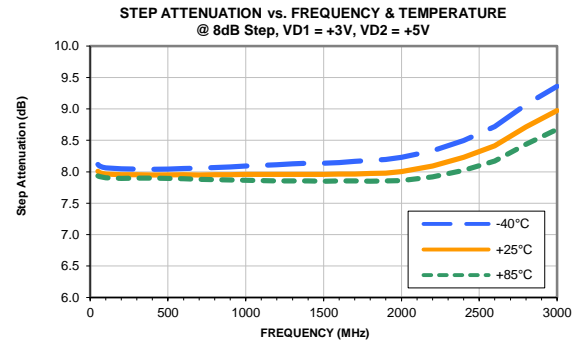
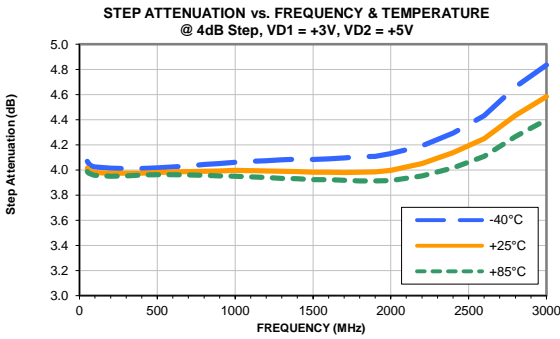
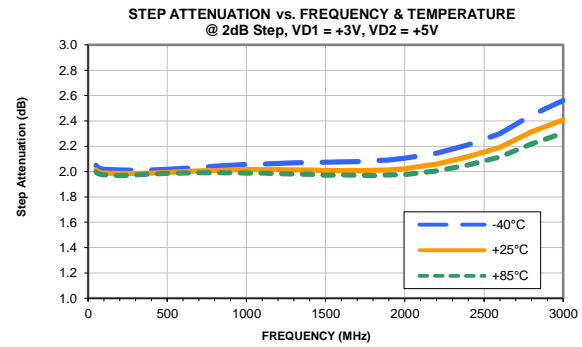
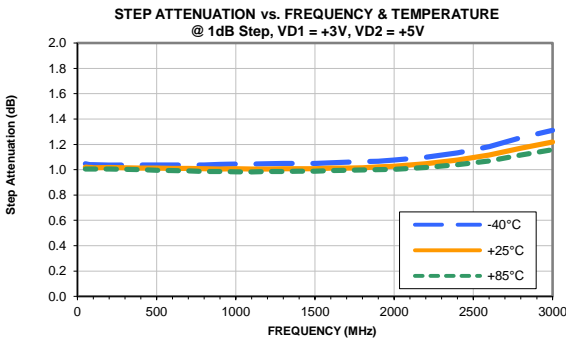
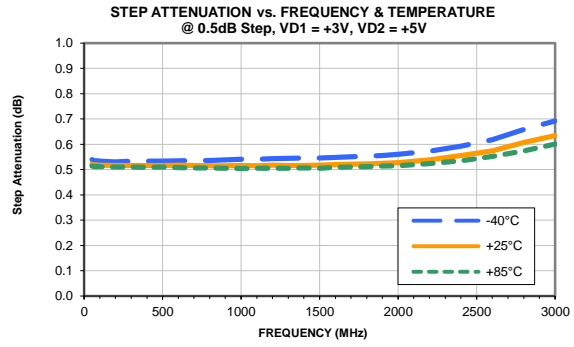
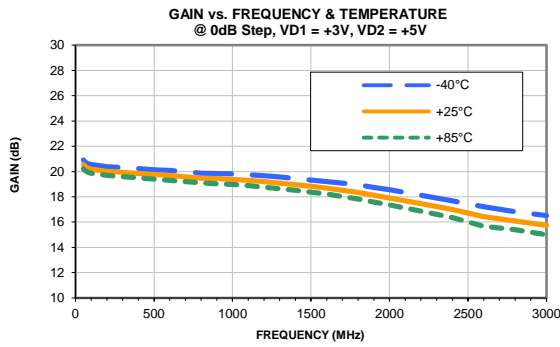
FREQ	OUTPUT RETURN LOSS @							
	0 dB	0.5 dB	1 dB	2 dB	4 dB	8 dB	16 dB	31.5 dB
(MHz)	(dB)	(dB)	(dB)	(dB)	(dB)	(dB)	(dB)	(dB)
50	23.51	22.80	22.42	19.38	18.05	17.08	17.32	15.46
60	27.15	25.91	25.45	21.37	19.77	18.53	18.84	16.64
70	30.58	28.91	28.19	22.90	21.00	19.58	19.91	17.44
80	33.76	31.25	30.33	23.90	21.78	20.25	20.60	17.96
90	37.38	33.73	32.51	24.74	22.39	20.76	21.16	18.35
100	41.16	35.48	33.97	25.20	22.79	21.10	21.51	18.59
200	33.69	33.49	33.00	26.23	23.74	21.99	22.49	19.27
300	28.27	28.79	29.13	26.32	24.17	22.51	23.03	19.66
400	24.70	25.09	25.28	24.35	23.03	21.86	22.38	19.30
500	22.36	22.52	22.64	21.80	20.96	20.22	20.70	18.13
600	20.54	20.65	20.69	20.05	19.44	18.97	19.42	17.18
700	19.39	19.40	19.44	18.72	18.21	17.87	18.32	16.27
800	18.34	18.29	18.32	17.53	17.09	16.82	17.24	15.38
900	17.28	17.26	17.31	16.62	16.25	16.07	16.49	14.69
1000	16.49	16.47	16.52	15.86	15.55	15.42	15.83	14.09
1100	15.75	15.73	15.78	15.16	14.88	14.79	15.20	13.53
1200	15.23	15.23	15.29	14.66	14.39	14.30	14.70	13.05
1300	14.87	14.87	14.91	14.28	14.03	13.99	14.35	12.73
1400	14.51	14.51	14.57	13.97	13.74	13.70	14.06	12.45
1500	13.94	13.95	14.02	13.48	13.29	13.32	13.67	12.10
1600	13.42	13.45	13.51	13.00	12.84	12.87	13.21	11.68
1700	12.90	12.94	13.01	12.54	12.39	12.44	12.76	11.29
1800	12.19	12.24	12.33	11.91	11.80	11.90	12.22	10.81
1900	11.58	11.64	11.72	11.34	11.25	11.36	11.65	10.31
2000	10.90	10.95	11.03	10.67	10.59	10.68	10.94	9.70
2200	9.71	9.75	9.79	9.40	9.29	9.30	9.45	8.43
2400	8.92	8.90	8.89	8.42	8.19	8.07	8.11	7.30
2600	8.97	8.87	8.80	8.15	7.79	7.51	7.43	6.79
2800	8.31	8.11	7.95	7.18	6.70	6.28	6.11	5.67
3000	8.43	8.12	7.90	7.01	6.46	5.94	5.70	5.40

Typical Performance Data

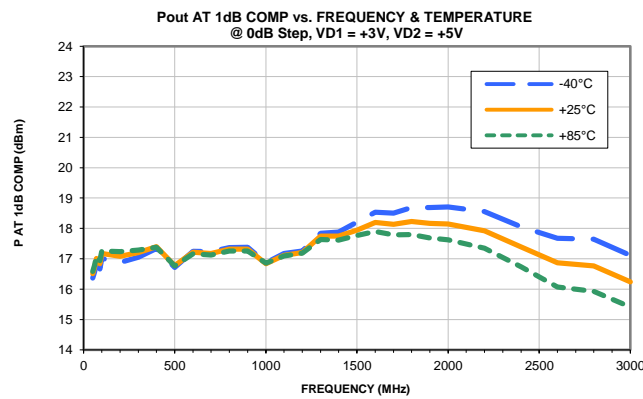
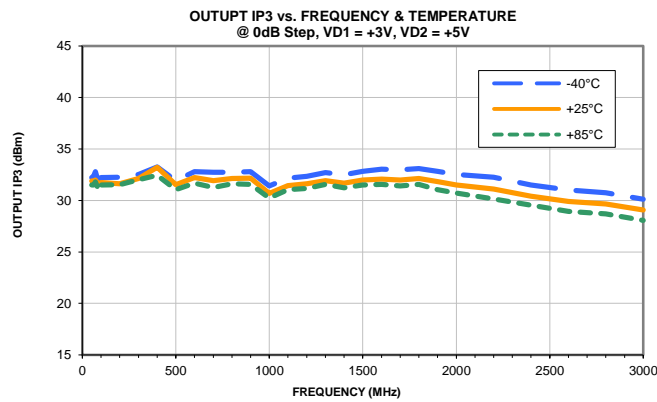
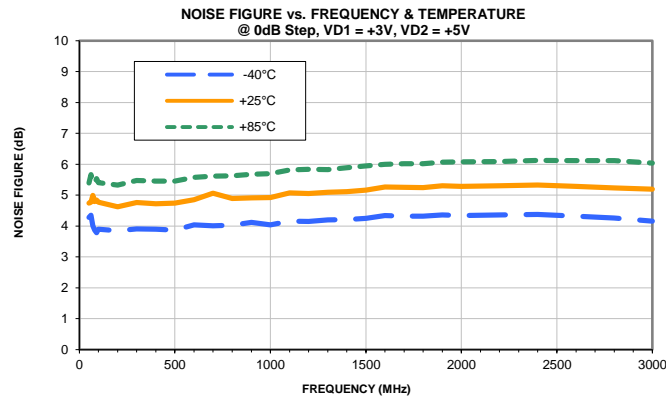
TEST CONDITIONS: Vd1 = +3V, Vd2 = +5V @ Temperature = +85degC

FREQ	OUTPUT RETURN LOSS @							
	0 dB	0.5 dB	1 dB	2 dB	4 dB	8 dB	16 dB	31.5 dB
(MHz)	(dB)	(dB)	(dB)	(dB)	(dB)	(dB)	(dB)	(dB)
50	23.49	23.25	23.38	20.97	20.48	20.31	21.50	18.70
60	26.80	26.52	26.76	23.48	22.75	22.56	24.07	20.48
70	30.17	29.68	29.89	25.61	24.67	24.39	26.29	21.84
80	33.17	32.61	32.84	27.40	26.30	25.94	28.20	22.91
90	36.81	36.04	36.37	29.24	27.85	27.35	30.24	23.88
100	40.18	39.70	39.48	30.76	29.16	28.61	32.02	24.61
200	32.06	32.76	32.40	31.99	30.72	30.73	35.02	26.06
300	28.22	28.16	28.16	26.41	25.82	26.04	28.10	23.14
400	26.00	25.86	25.97	24.00	23.52	23.84	25.72	21.40
500	24.12	24.03	24.24	22.35	22.07	22.49	24.36	20.31
600	23.04	22.98	23.22	21.47	21.29	21.82	23.67	19.72
700	22.21	22.19	22.42	20.74	20.63	21.22	23.07	19.20
800	21.22	21.22	21.51	19.95	19.94	20.61	22.48	18.69
900	20.61	20.67	20.96	19.52	19.59	20.41	22.34	18.46
1000	20.17	20.31	20.63	19.25	19.42	20.37	22.42	18.37
1100	19.76	19.94	20.28	19.08	19.31	20.45	22.64	18.36
1200	19.35	19.56	19.91	18.86	19.21	20.50	22.81	18.34
1300	18.69	18.96	19.33	18.51	18.96	20.48	22.96	18.30
1400	17.97	18.24	18.61	18.01	18.56	20.23	22.76	18.05
1500	16.98	17.26	17.61	17.22	17.83	19.62	22.09	17.54
1600	15.90	16.18	16.52	16.27	16.91	18.67	20.98	16.76
1700	14.76	15.02	15.33	15.17	15.79	17.43	19.47	15.76
1800	13.49	13.74	14.02	13.90	14.46	15.97	17.73	14.51
1900	12.53	12.75	13.00	12.86	13.36	14.70	16.19	13.38
2000	11.64	11.84	12.07	11.90	12.32	13.48	14.75	12.28
2200	10.36	10.52	10.70	10.39	10.66	11.46	12.30	10.40
2400	9.74	9.85	9.95	9.49	9.57	10.05	10.55	9.10
2600	10.68	10.70	10.73	10.01	9.90	10.00	10.16	9.10
2800	9.84	9.75	9.69	8.89	8.60	8.43	8.35	7.72
3000	10.36	10.17	10.01	9.09	8.67	8.25	7.99	7.66

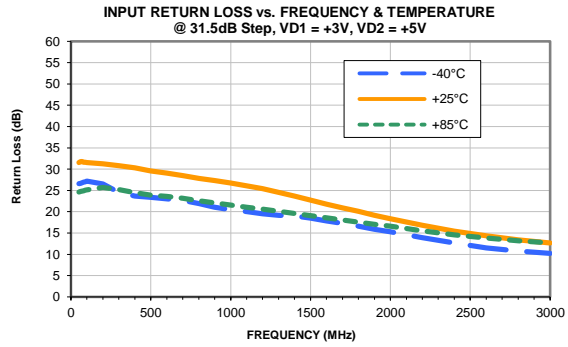
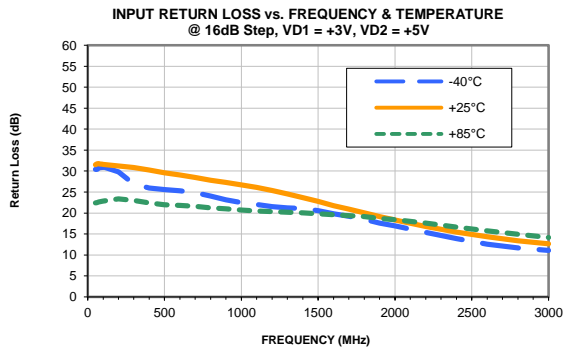
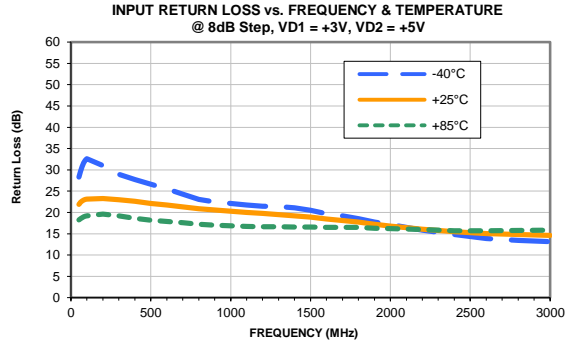
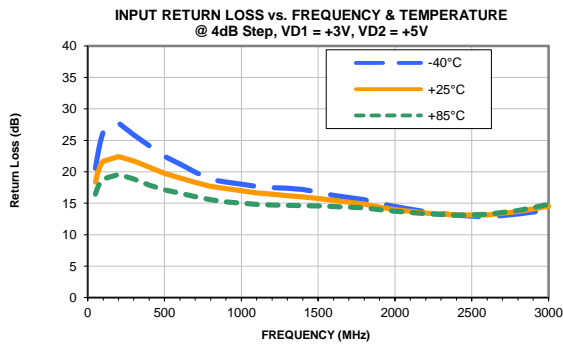
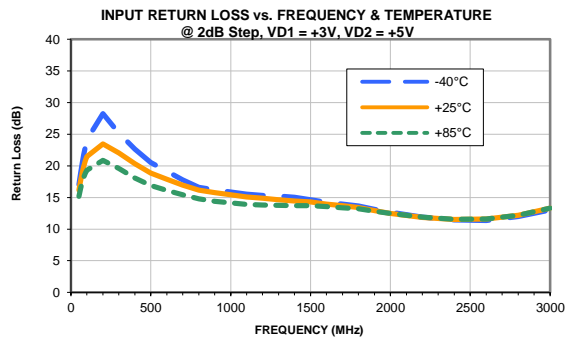
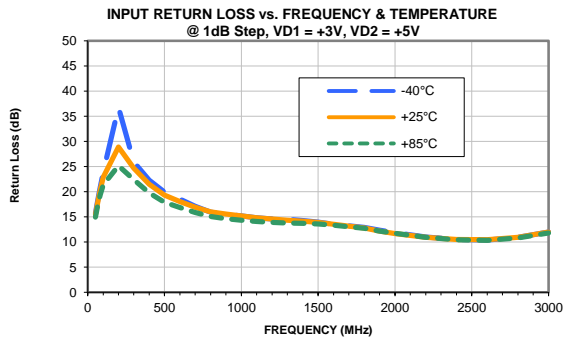
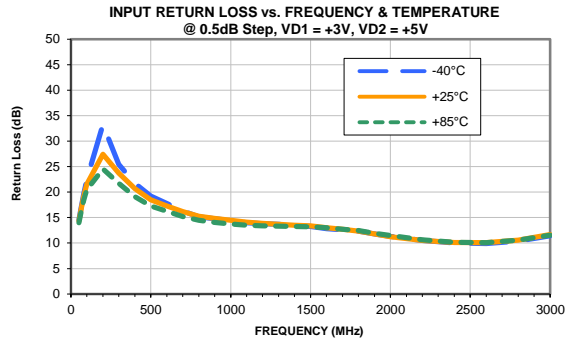
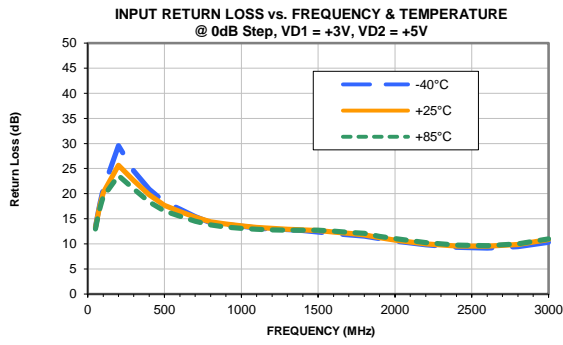
Typical Performance Curves



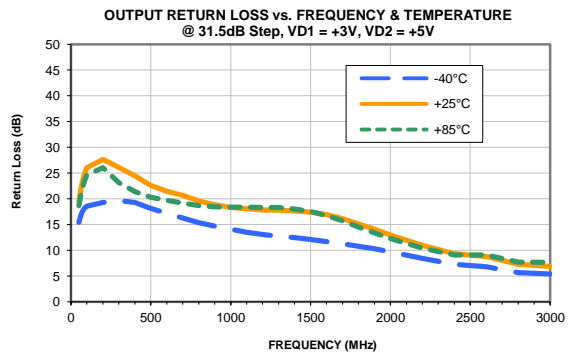
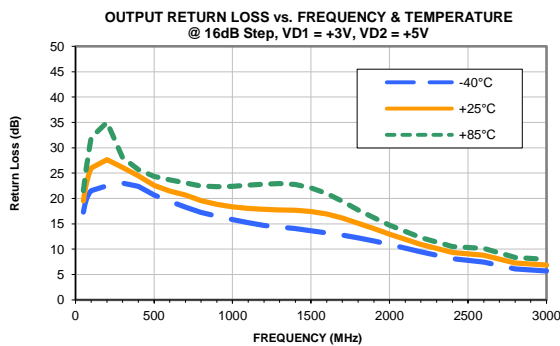
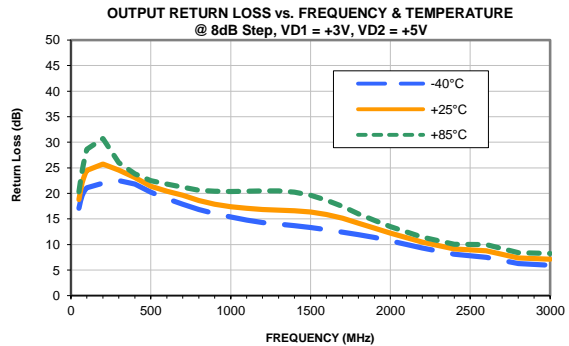
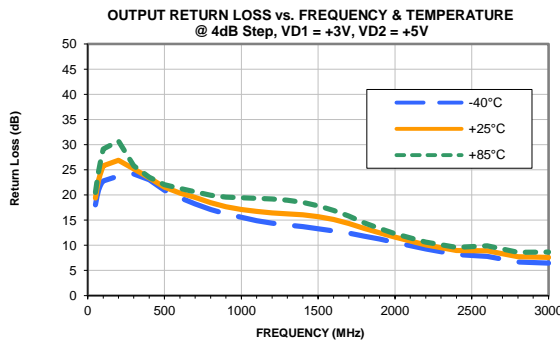
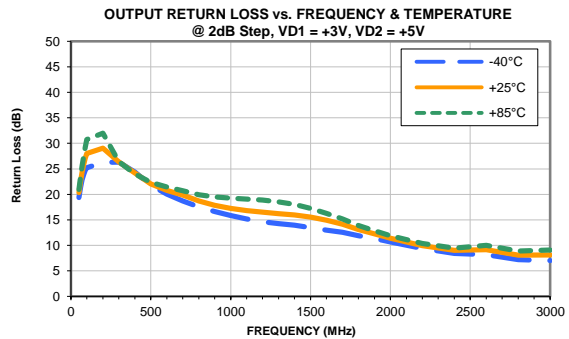
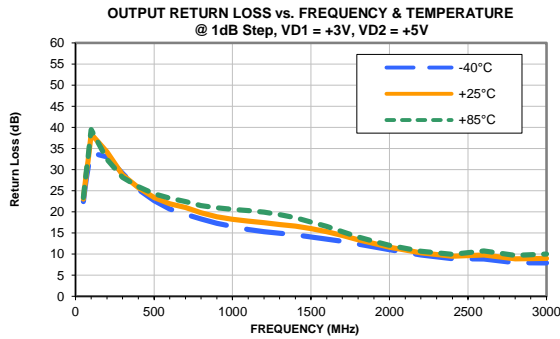
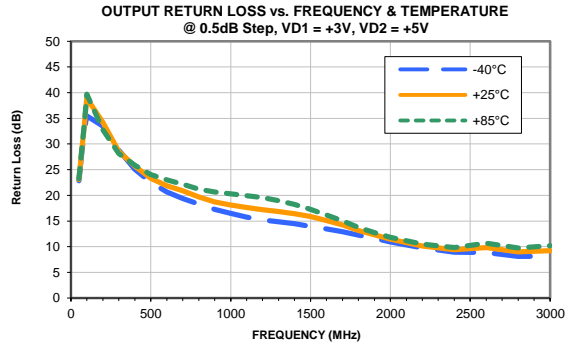
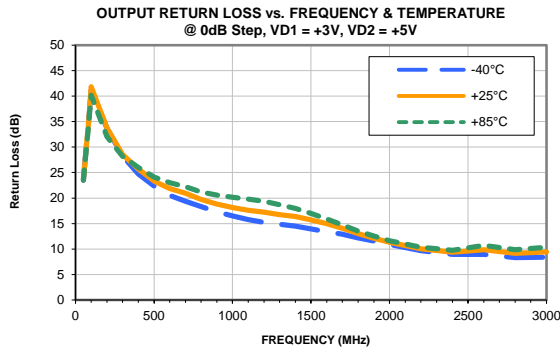
Typical Performance Curves



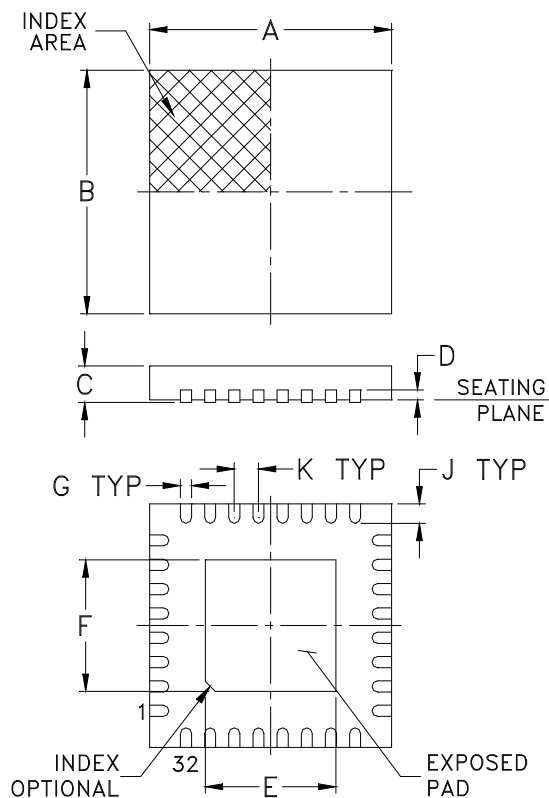
Typical Performance Curves



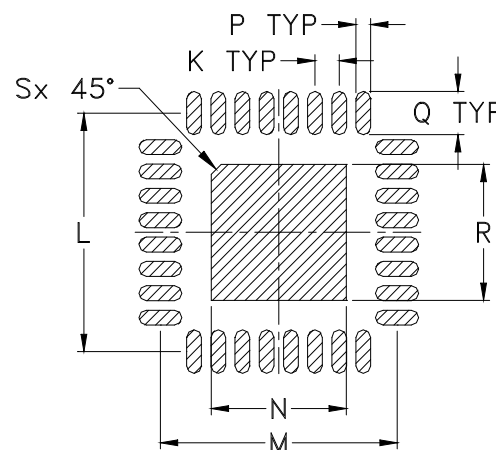
Typical Performance Curves



Outline Dimensions



PCB Land Pattern



Suggested Layout,
Tolerance to be within ± 0.002

CASE #	A	B	C MAX	C MIN	D	E	F	G	H	J
DG1677	.197 (5.00)	.197 (5.00)	.039 (1.00)	.031 (0.80)	.008 (0.20)	.106 (2.70)	.106 (2.70)	.009 (0.23)	-	.016 (0.40)

CASE #	K	L	M	N	P	Q	R	S	WT. GRAM
DG1677	.020 (0.50)	.193 (4.90)	.193 (4.90)	.110 (2.79)	.012 (0.30)	.035 (0.89)	.110 (2.79)	.008 (0.20)	.05

Dimensions are in inches (mm). Tolerances: 2 Pl. $\pm .01$; 3 Pl. $\pm .005$

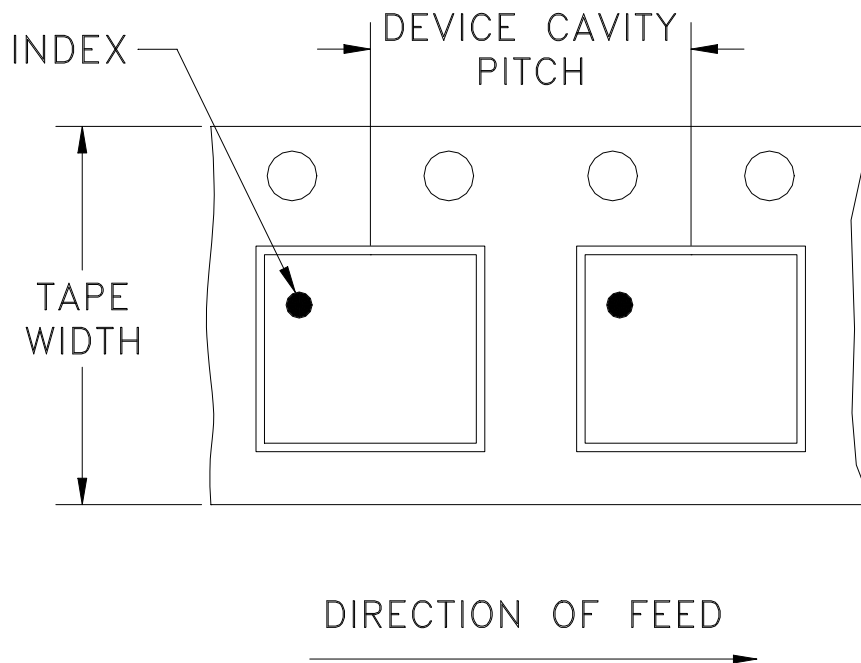
Notes:

1. Case material: Plastic.
2. Termination finish:

For RoHS Case Styles: Pre-plated (Ni Pd Au), transitioning to Matt-Tin. All models, (+) suffix.
For RoHS-5 Case Styles: Tin-Lead plate. All models, no (+) suffix.

Tape & Reel Packaging TR-F68

DEVICE ORIENTATION IN T&R



Tape Width, mm	Device Cavity Pitch, mm	Reel Size, inches	Devices per Reel see note	
12	8	7	Small quantity standard	20
				50
				100
				200
				500
		7	Standard	1000
		13	Standard	2000
				3000
4000				

Mini-Circuits carrier tape materials provide protection from ESD (Electro-Static Discharge) during handling and transportation. Tapes are static dissipative and comply with industry standards EIA-481/EIA-541.

Go to: www.minicircuits.com/pages/pdfs/tape.pdf

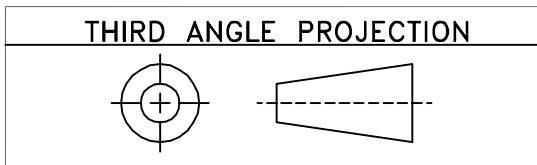


INTERNET <http://www.minicircuits.com>

P.O. Box 350166, Brooklyn, New York 11235-0003 (718) 934-4500 Fax (718) 332-4661

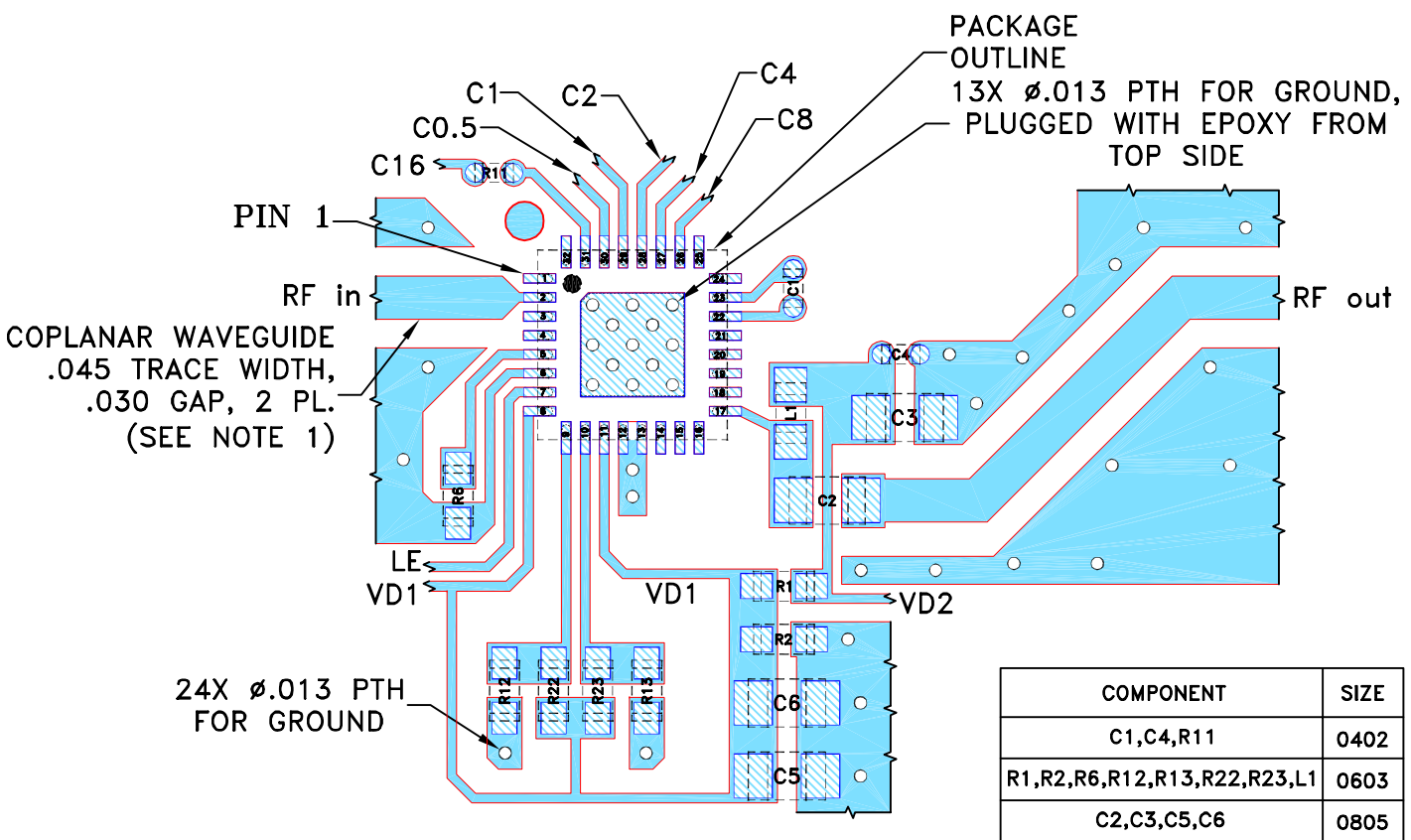
Distribution Centers NORTH AMERICA 800-654-7949 • 417-335-5935 • Fax 417-335-5945 • EUROPE 44-1252-832600 • Fax 44-1252-837010

Mini-Circuits ISO 9001 & ISO 14001 Certified



REVISIONS					
REV	ECN No.	DESCRIPTION	DATE	DR	AUTH
OR	M139261	NEW RELEASE	12/07/12	AV	SL

**SUGGESTED MOUNTING CONFIGURATION
FOR DG1677 CASE STYLE, "32AM03" PIN CODE**



NOTES:

1. COPLANAR WAVEGUIDE PARAMETERS ARE SHOWN FOR FR4 WITH DIELECTRIC THICKNESS .024" \pm .002". COPPER: 1/2 OZ. EACH SIDE. FOR OTHER MATERIALS TRACE WIDTH AND GAP MAY NEED TO BE MODIFIED.
2. CHIP COMPONENT FOOT PRINTS SHOWN FOR REFERENCE. FOR COMPONENT VALUES REFER TO TB-694+.
3. BOTTOM SIDE OF THE PCB IS CONTINUOUS GROUND PLANE.

DENOTES PCB COPPER LAYOUT WITH SMOBC (SOLDER MASK OVER BARE COPPER).

DENOTES COPPER LAND PATTERN FREE OF SOLDER MASK.

UNLESS OTHERWISE SPECIFIED	INITIALS	DATE
DRAWN	AV	12/05/12
CHECKED	IL	12/07/12
APPROVED	SL	12/07/12

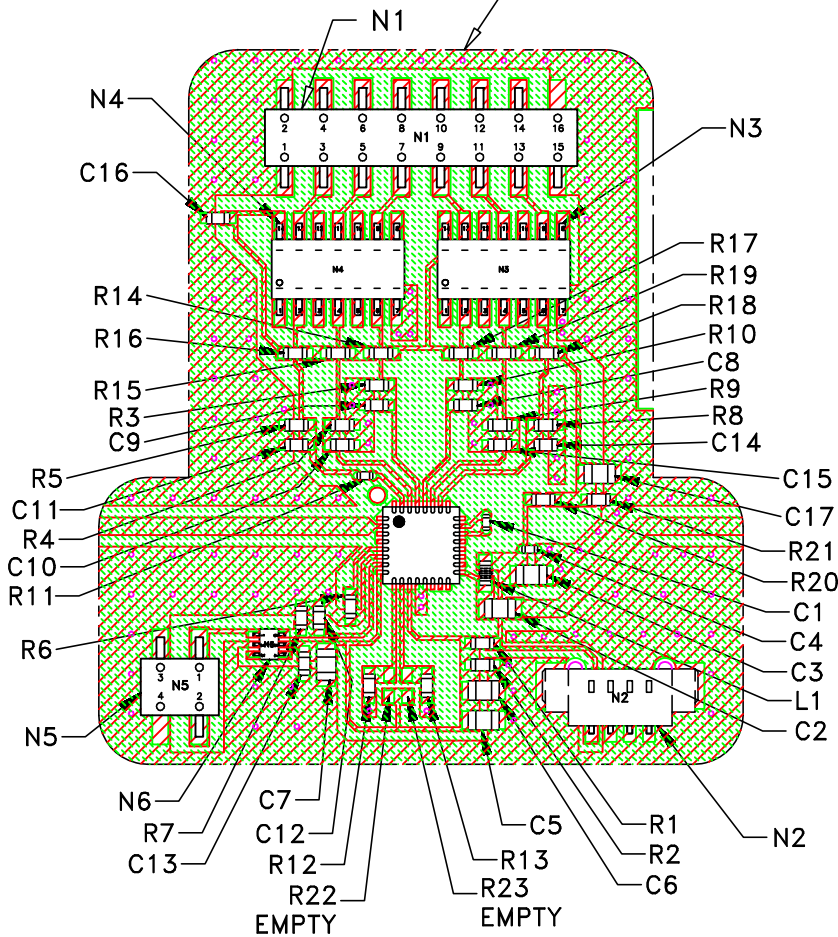
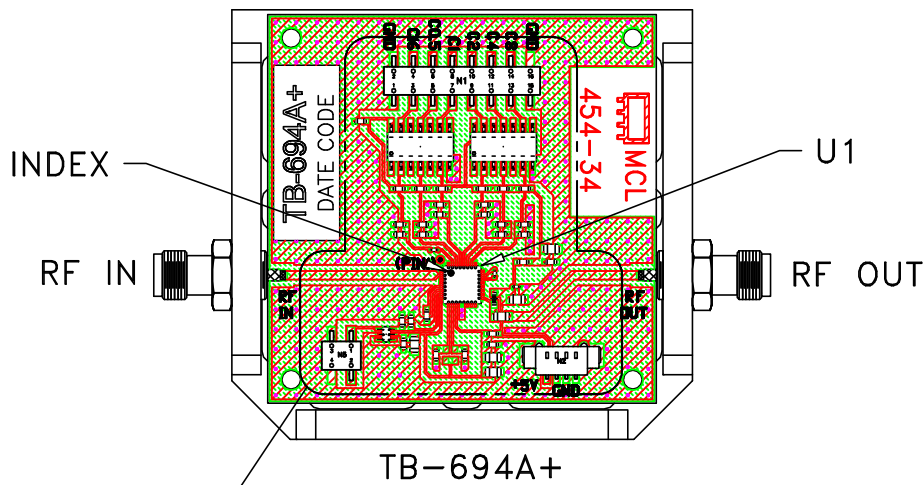
Mini-Circuits[®] 13 Neptune Avenue
Brooklyn NY 11235

PL, 32AM03, DG1677, TB-694+

Mini-Circuits[®]
 THIS DOCUMENT AND ITS CONTENTS ARE THE PROPERTY OF MINI-CIRCUITS. EXCEPT FOR USE EXPRESSLY GRANTED, IN WRITING, TO ITS VENDORS, VENDEE AND THE UNITED STATES GOVERNMENT, MINI-CIRCUITS RESERVES ALL PROPRIETARY DESIGN, USE, MANUFACTURING AND REPRODUCTION RIGHTS THERE TO. THESE CONTENTS SHALL NOT BE USED, DUPLICATED OR DISCLOSED TO ANY OUTSIDE PARTY, IN WHOLE OR IN PART, WITHOUT WRITTEN PERMISSION OF MINI-CIRCUITS.

SIZE	CODE IDENT	DRAWING NO:	REV:
A	15542	98-PL-383	OR
FILE:	98PL383	SCALE: 5:1	SHEET: 1 OF 1


Evaluation Board and Circuit

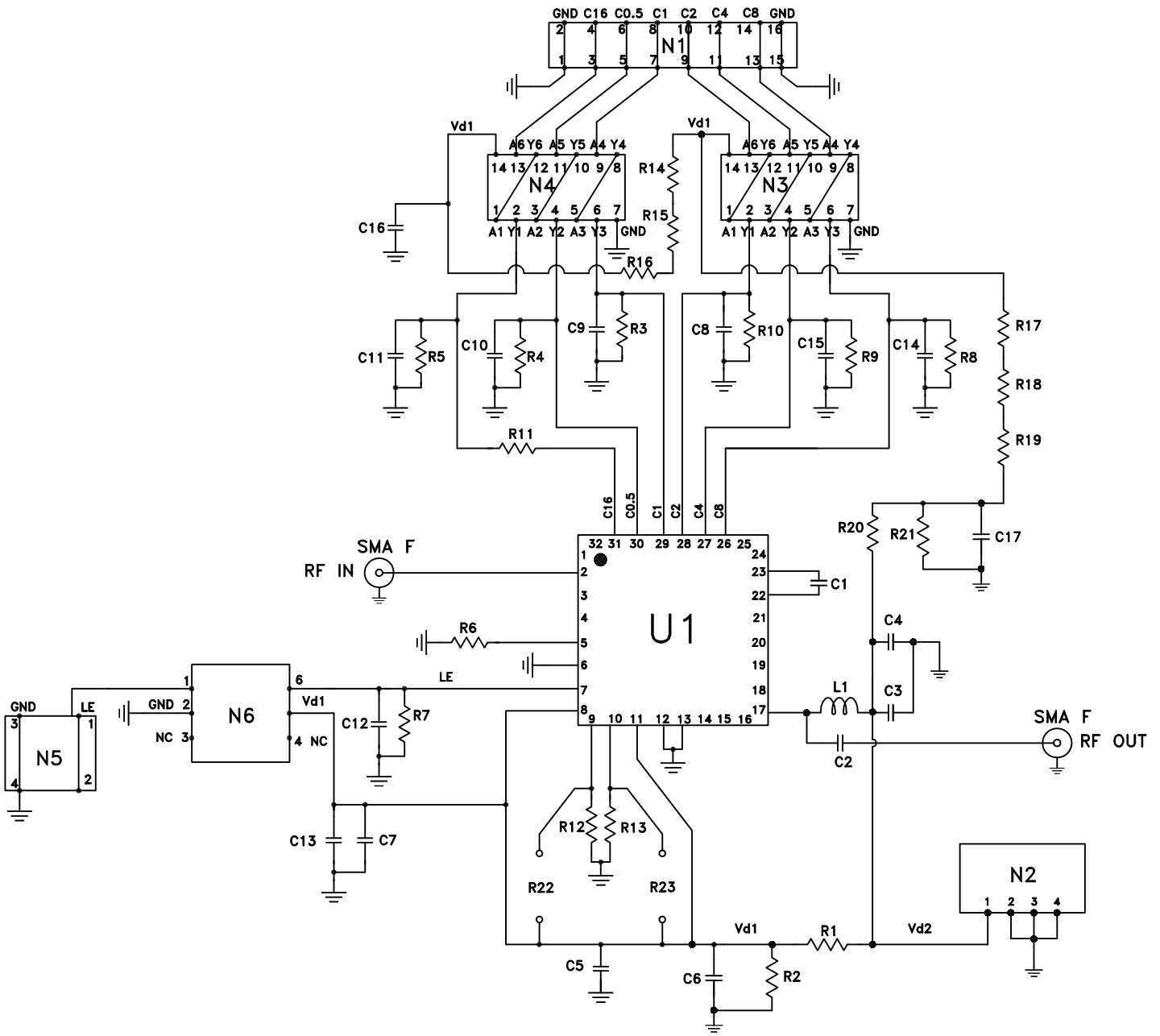


COMPONENT	VALUE/ PART NUMBER	SIZE
U1	DVGA2-33APP+	-
N1	CONNECTOR VERTICAL HEADER 16 POS	-
N2	CONNECTOR VERTICAL HEADER 4 POS	-
N3,N4	HEX INVERTING SCHMITT TRIGGER	-
N5	CONNECTOR VERTICAL HEADER 2 POS	-
N6	DUAL SCHMITT BUFFER/ INVERTER	-
C1	1000 pF	.04 X .02
C2	1000 pF	.08 X .05
C3	1 uF	.08 X .05
C4	100 pF	.04 X .02
C5	100 pF	.08 X .05
C6,C17	.47 uF	.08 X .05
C7	.1 uF	.08 X .05
C8-C16	100 pF	.06 X .03
L1	390 nH	.06 X .03
R1,R20	475 Ohm	.06 X .03
R2,R21	681 Ohm	.06 X .03
R3-R10	10 KOhm	.06 X .03
R11	10 KOhm	.04 X .02
R12,R13	475 Ohm	.06 X .03
R14-R19	0 Ohm	.06 X .03
R22, R23	OPTIONAL PULL UP RESISTORS FOR PUP1 AND PUP2	.06 X .03

Notes:

1. Test cables for connectors "N1,N2 & N3" are included in TB-694A+ package.
2. Test software "Digital Step Attenuator & DVGA" is available for download from Mini-Circuits website: http://www.minicircuits.com/support/software_download.html
3. 50 Ohm SMA Female connectors.
4. PCB Material: FR4 or equivalent, Dielectric Constant=4.6, Thickness=.024 inch.

 Mini-Circuits®



Schematic Diagram

All Mini-Circuits products are manufactured under exacting quality assurance and control standards, and are capable of meeting published specifications after being subjected to any or all of the following physical and environmental test.

Specification	Test/Inspection Condition	Reference/Spec
Operating Temperature	-40° to 85°C	Individual Model Data Sheet
Storage Temperature	-55° to 100° C or -65° to 150°	Individual Model Data Sheet
Thermal Shock	-65° to 150°C, 1000 Cycles	JESD22-A104D, condition C
Autoclave	15 psig, 100% RH, 121°C, 168 hours	JESD22-A102D, Condition C
Solderability	10X Magnification	J-STD-002, Para 4.2.5, Test S, 95% Coverage
Moisture Sensitivity: Level 1	Bake at 125°C for 24 hours. Soak at 85°C/85%RH for 168 hours Reflow 3 cycles at 260°C peak	J-STD-020D.01