



MMIC SURFACE MOUNT

# Monolithic Amplifier

## GALI-5+

50Ω DC to 4 GHz

### FEATURES

- Frequency Range, DC to 4 GHz
- InGaP HBT Microwave Amplifier
- Miniature SOT-89 Package
- Internally Matched to 50Ω
- Output Power, +18.0 dBm Typ.
- Excellent Package for Heat Dissipation, Exposed Metal Bottom
- Low Thermal Resistance for High Reliability
- Aqueous Washable
- Protected By US Patent 6,943,629



Generic photo used for illustration purposes only

CASE STYLE: DF782

**+RoHS Compliant**

The +Suffix identifies RoHS Compliance. See our website for methodologies and qualifications

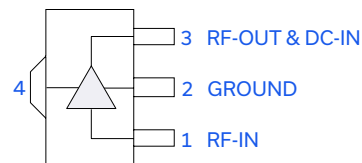
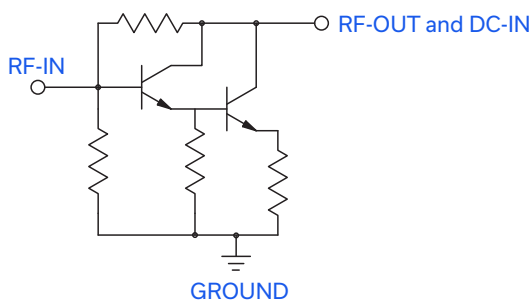
### APPLICATIONS

- Cellular
- PCS
- Communication Receivers & Transmitters

### PRODUCT OVERVIEW

Gali-5+ (RoHS compliant) is a wideband amplifier offering high dynamic range. It has repeatable performance from lot to lot, and is enclosed in a SOT-89 package. It uses patented Transient Protected Darlington configuration and is fabricated using InGaP HBT technology. Expected MTTF is 3,000 years at +85°C case temperature. Gali-5+ is designed to be rugged for ESD and supply switch-on transients.

### SIMPLIFIED SCHEMATIC AND PIN DESCRIPTION



Function	Pin Number	Description
RF-IN	1	RF input pin. This pin requires the use of an external DC blocking capacitor chosen for the frequency of operation.
RF-OUT and DC-IN	3	RF output and bias pin. DC voltage is present on this pin; therefore a DC blocking capacitor is necessary for proper operation. An RF choke is needed to feed DC bias without loss of RF signal due to the bias connection, as shown in "Recommended Application Circuit".
GND	2,4	Connections to ground. Use via holes as shown in "Suggested Layout for PCB Design" to reduce ground path inductance for best performance.

REV. T  
ECO-024667  
GALI-5+  
MCL NY  
260421





## ELECTRICAL SPECIFICATIONS AT +25°C AND 65 mA UNLESS NOTED OTHERWISE

Parameter	Conditions (GHz)	Min.	Typ.	Max.	Units
Frequency Range <sup>1</sup>		DC		4	GHz
Gain	0.1	-	20.6	-	dB
	1	-	19.4	-	
	2	16	17.5	-	
	3	-	16.0	-	
	4	-	14.9	-	
	6	-	15.1	-	
Input Return Loss	DC - 3	-	21	-	dB
	3 - 4	-	21	-	
Output Return Loss	DC - 3	-	15.5	-	dB
	3 - 4	-	15.5	-	
Output Power @ 1 dB Compression	1	+16.0	+18.0	-	dBm
Output IP3	1	-	+35	-	dBm
Noise Figure	1	-	3.5	-	dB
Recommended Device Operating Current	-	-	65	-	mA
Device Operating Voltage	-	+4.0	+4.4	+4.9	V
Device Voltage Variation vs. Temperature at 65 mA	-	-	-3.3	-	mV/°C
Device Voltage Variation vs. Current at +25°C	-	-	3.8	-	mV/mA
Thermal Resistance, Junction-to-Case <sup>2</sup>	-	-	103	-	°C/W

1. Guaranteed specification DC-4 GHz. Low frequency cut off determined by external coupling capacitors.  
 2. Case is defined as ground leads.

## ABSOLUTE MAXIMUM RATINGS

Parameter	Ratings
Operating Temperature <sup>3</sup>	-45°C to +85°C
Storage Temperature	-65°C to +150°C
Operating Current	85 mA
Input Power	+13 dBm

3. Based on typical case temperature rise +4°C above ambient.  
 Permanent damage may occur if any of these limits are exceeded. These ratings are not intended for continuous normal operation.



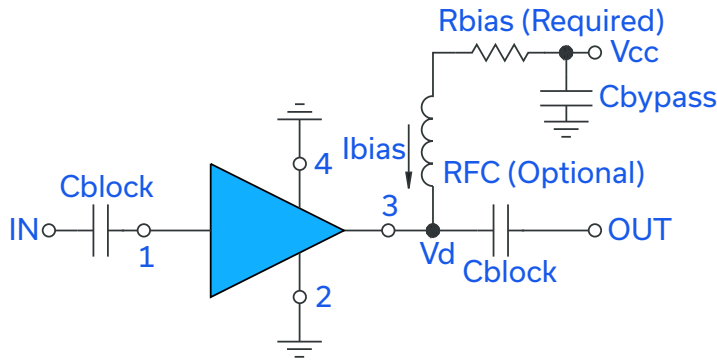
MMIC SURFACE MOUNT

# Monolithic Amplifier

**GALI-5+**

50Ω DC to 4 GHz

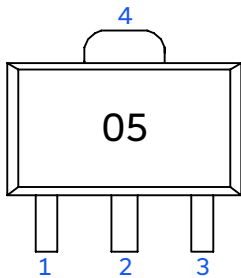
## RECOMMENDED APPLICATION CIRCUIT



Test Board includes case, connectors, and components (in bold) soldered to PCB

R BIAS	
Vcc	"1%" Res. Values (Ohms) for Optimum Biasing
7	40.2
8	53.6
9	68.1
10	82.5
11	97.6
12	113
13	127
14	143
15	158
16	174
17	191
18	205
19	221
20	237

## PRODUCT MARKING



Markings in addition to model number designation may appear for internal quality control purposes.



# Monolithic Amplifier

ADDITIONAL DETAILED TECHNICAL INFORMATION IS AVAILABLE ON OUR DASHBOARD. [CLICK HERE](#)

Performance Data & Graphs	Data Table
	Swept Graphs
	S-Parameter (S2P Files) Data Set (.zip file)
Case Style	DF782 Plastic package, Lead Finish: Matte-tin
Tape & Reel Standard Quantities Available on Reel	F55 7" Reels with 20, 50, 100, 200, 500 or 1K devices
Suggested Layout for PCB Design	PL-019
Evaluation Board	TB-409-5+
Environmental Ratings	ENV08T2

### ESD RATING

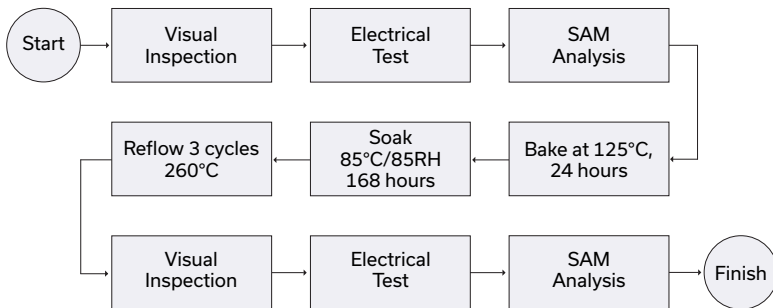
Human Body Model (HBM): Class 1B (500 V to <1000 V) in accordance with ANSI/ESD STM 5.1 - 2001  
Machine Model (MM): Class M1 ( < 100 V) in accordance with ESD STM 5.2 - 1999

### MSL RATING

Moisture Sensitivity: MSL1 in accordance with IPC/JEDECJ-STD-020C

No.	Test Required	Condition	Standard	Quantity
1	Visual Inspection	Low Power Microscope Magnification 40x	MIP-IN-0003 (MCT spec)	45 units
2	Electrical Test	Room Temperature	SCD (MCL spec)	45 units
3	SAM Analysis	Less than 10% growth in term of delamination	J-Std-020C (Jedec Standard)	45 units
4	Moisture Sensitivity Level 1	Bake at 125°C for 24 hours Soak at 85°C/85%RH for 168 hours Reflow 3 cycles at 260°C peak	J-Std-020C (Jedec Standard)	45 units

### MSL TEST FLOW CHART



#### NOTES

- A. Performance and quality attributes and conditions not expressly stated in this specification document are intended to be excluded and do not form a part of this specification document.
- B. Electrical specifications and performance data contained in this specification document are based on Mini-Circuits' applicable established test performance criteria and measurement instructions.
- C. The parts covered by this specification document are subject to Mini-Circuits' standard limited warranty and terms and conditions (collectively, "Standard Terms"); Purchasers of this part are entitled to the rights and benefits contained therein. For a full statement of the standard terms and the exclusive rights and remedies thereunder, please visit Mini-Circuits' website at [www.minicircuits.com/terms/viewterm.html](http://www.minicircuits.com/terms/viewterm.html)

## Typical Performance Data

**NOTE: Use PDF Bookmarks to view DATA at required conditions**

**Definitions:**

Input Return Loss = -S11 (dB)

Gain(Power Gain) = S21 (dB)

Reverse Isolation = -S12 (dB)

Output Return Loss = -S22 (dB)

TEST CONDITIONS: Vd = 4.47V, Id = 65mA @ Temperature = 25degC

FREQ	Gain	Isolation	Input Return Loss	Output Return Loss	Stability		IP-3 Output	1dB Comp. Output	Noise Figure
					K	Measure			
(MHz)	(dB)	(dB)	(dB)	(dB)	K	Measure	(dBm)	(dBm)	(dB)
50.0	21.80	24.20	28.75	39.17	1.04	0.43	37.40	18.56	3.31
100.0	21.72	24.58	29.45	33.44	1.05	0.48	35.77	18.89	3.24
200.0	21.65	24.60	29.74	30.96	1.06	0.49	35.45	18.98	3.27
400.0	21.47	24.61	29.90	27.07	1.06	0.52	34.86	18.94	3.33
600.0	21.23	24.58	30.03	24.44	1.07	0.54	34.82	18.78	3.43
800.0	20.93	24.54	29.83	22.14	1.08	0.56	34.38	18.75	3.36
1000.0	20.61	24.52	29.45	20.77	1.09	0.59	32.78	18.65	3.41
1200.0	20.26	24.55	29.42	19.23	1.11	0.62	33.36	18.52	3.50
1400.0	19.89	24.51	28.51	18.25	1.13	0.64	32.43	18.28	3.50
1600.0	19.52	24.49	27.80	17.38	1.15	0.67	31.91	18.07	3.55
1800.0	19.14	24.46	26.33	16.71	1.17	0.69	31.21	17.59	3.56
2000.0	18.78	24.45	25.09	16.05	1.19	0.72	30.33	17.13	3.56
2200.0	18.39	24.43	23.44	15.72	1.21	0.74	29.64	16.57	3.62
2400.0	18.07	24.39	22.22	15.26	1.23	0.75	28.94	16.00	3.59
2600.0	17.74	24.30	21.12	14.67	1.24	0.77	28.29	15.37	3.68
2800.0	17.42	24.27	20.18	14.41	1.26	0.78	27.76	14.87	3.66
3000.0	17.10	24.24	19.65	14.17	1.28	0.80	27.13	14.35	3.59
3200.0	16.82	24.17	18.96	13.88	1.30	0.80	26.22	13.89	3.76
3400.0	16.57	24.13	18.93	13.57	1.31	0.81	25.80	13.54	3.71
3600.0	16.34	24.12	18.04	13.51	1.33	0.82	25.76	13.37	3.74
3800.0	16.14	24.09	17.87	13.27	1.34	0.83	24.95	12.69	3.78
4000.0	15.95	23.98	17.92	12.70	1.34	0.83	24.52	12.39	3.74
4200.0	15.68	23.92	18.37	12.54	1.37	0.83	24.00	11.85	3.83
4400.0	15.55	23.88	18.33	12.19	1.37	0.83	23.58	11.52	3.82
4600.0	15.43	23.74	17.59	11.65	1.35	0.83	23.16	11.05	3.84
4800.0	15.26	24.05	18.06	12.03	1.42	0.84	22.66	10.62	3.93
5000.0	15.24	23.76	16.59	10.96	1.35	0.83	22.39	10.27	3.85
5200.0	15.26	24.09	16.28	11.27	1.39	0.85	21.22	9.66	3.93
5400.0	15.03	23.71	16.48	10.34	1.35	0.82	20.79	9.20	3.94
5600.0	14.97	23.74	16.28	9.97	1.34	0.82	20.39	9.08	3.98
5800.0	14.97	23.83	15.85	9.75	1.34	0.82	20.06	8.71	4.00
6000.0	14.87	23.60	15.94	9.25	1.31	0.81	19.46	8.21	3.99
6200.0	14.90	23.42	16.64	9.15	1.29	0.79	18.92	7.76	4.06
6400.0	14.87	23.69	15.55	8.89	1.30	0.80	18.04	7.33	4.07
6600.0	14.80	23.72	15.16	8.51	1.29	0.79	17.82	7.04	4.12
6800.0	14.89	23.42	15.89	8.13	1.24	0.76	17.15	6.62	4.20
7000.0	14.68	23.76	15.09	7.82	1.28	0.77	17.14	6.46	4.23
7200.0	14.50	23.72	15.92	6.90	1.27	0.71	16.39	6.13	4.25
7400.0	14.17	23.39	15.87	7.93	1.33	0.76	16.30	5.88	4.33
7600.0	13.78	23.22	16.27	6.90	1.32	0.70	15.95	5.50	4.42
7800.0	13.09	23.38	15.53	6.93	1.43	0.72	15.64	5.44	4.47
8000.0	12.55	24.32	14.10	6.12	1.58	0.70	15.29	5.08	4.53

## Typical Performance Data

### Definitions:

Input Return Loss = -S11 (dB)  
 Gain(Power Gain) = S21 (dB)  
 Reverse Isolation = -S12 (dB)  
 Output Return Loss = -S22 (dB)

TEST CONDITIONS: Vd = 4.41V, Id = 52mA @ Temperature = 25degC

FREQ	Gain	Isolation	Input Return Loss	Output Return Loss	Stability		IP-3 Output	1dB Comp. Output	Noise Figure
					K	Measure			
(MHz)	(dB)	(dB)	(dB)	(dB)	K	Measure	(dBm)	(dBm)	(dB)
50.0	21.59	24.07	24.67	39.95	1.04	0.44	32.83	16.82	3.29
100.0	21.51	24.44	25.82	39.97	1.06	0.49	32.51	17.31	3.20
200.0	21.45	24.42	26.05	34.24	1.06	0.50	31.68	17.31	3.25
400.0	21.27	24.42	25.98	28.54	1.06	0.52	32.12	17.20	3.28
600.0	21.04	24.40	26.30	25.58	1.07	0.54	32.00	17.14	3.37
800.0	20.75	24.44	26.39	22.81	1.08	0.57	32.01	16.83	3.30
1000.0	20.44	24.38	26.18	21.33	1.10	0.59	30.81	16.83	3.35
1200.0	20.09	24.32	26.17	19.72	1.11	0.62	31.29	16.54	3.42
1400.0	19.73	24.38	25.68	18.65	1.13	0.65	31.08	16.72	3.46
1600.0	19.36	24.32	25.03	17.71	1.14	0.67	30.74	16.32	3.51
1800.0	18.99	24.29	24.09	16.99	1.16	0.70	30.15	16.32	3.55
2000.0	18.63	24.21	22.98	16.28	1.18	0.71	29.52	15.89	3.55
2200.0	18.25	24.27	21.70	15.94	1.21	0.74	29.06	15.46	3.56
2400.0	17.93	24.22	20.69	15.45	1.22	0.76	28.24	15.05	3.55
2600.0	17.60	24.15	19.73	14.84	1.24	0.77	27.80	14.54	3.62
2800.0	17.29	24.07	19.02	14.58	1.25	0.78	27.09	14.07	3.57
3000.0	16.96	24.11	18.49	14.34	1.28	0.80	26.60	13.59	3.56
3200.0	16.69	24.02	17.96	14.06	1.29	0.81	25.62	13.12	3.66
3400.0	16.44	23.95	17.85	13.78	1.31	0.82	25.18	12.82	3.65
3600.0	16.21	23.97	17.16	13.69	1.33	0.83	25.13	12.64	3.69
3800.0	16.01	23.91	16.91	13.48	1.33	0.83	24.34	12.02	3.74
4000.0	15.82	23.84	16.99	12.90	1.34	0.83	23.94	11.69	3.69
4200.0	15.55	23.66	17.41	12.70	1.35	0.83	23.38	11.20	3.77
4400.0	15.41	23.70	17.31	12.44	1.36	0.84	22.91	10.81	3.75
4600.0	15.29	23.60	16.66	11.88	1.35	0.84	22.48	10.35	3.79
4800.0	15.11	23.96	17.16	12.30	1.43	0.85	21.98	9.88	3.82
5000.0	15.10	23.63	15.77	11.24	1.35	0.84	21.65	9.48	3.78
5200.0	15.09	24.02	15.52	11.62	1.40	0.86	20.45	8.96	3.82
5400.0	14.87	23.62	15.67	10.64	1.35	0.84	20.09	8.51	3.87
5600.0	14.80	23.67	15.38	10.33	1.35	0.84	19.66	8.39	3.92
5800.0	14.79	23.74	15.05	10.10	1.35	0.84	19.28	8.01	3.92
6000.0	14.67	23.57	15.21	9.62	1.33	0.83	18.72	7.50	3.89
6200.0	14.68	23.37	15.77	9.59	1.31	0.81	18.13	7.10	4.01
6400.0	14.64	23.61	14.80	9.36	1.33	0.82	17.21	6.66	4.01
6600.0	14.55	23.70	14.41	8.99	1.33	0.82	17.02	6.40	4.02
6800.0	14.62	23.43	15.06	8.66	1.29	0.79	16.35	5.99	4.09
7000.0	14.39	23.74	14.42	8.35	1.33	0.80	16.35	5.88	4.12
7200.0	14.20	23.74	15.18	7.38	1.33	0.75	15.71	5.55	4.15
7400.0	13.85	23.37	15.16	8.47	1.38	0.79	15.59	5.37	4.21
7600.0	13.45	23.24	15.61	7.40	1.39	0.74	15.24	4.98	4.31
7800.0	12.77	23.25	14.98	7.47	1.49	0.75	14.99	4.87	4.31
8000.0	12.21	24.19	13.71	6.59	1.64	0.73	14.65	4.62	4.39

## Typical Performance Data

### Definitions:

Input Return Loss = -S11 (dB)

Gain(Power Gain) = S21 (dB)

Reverse Isolation = -S12 (dB)

Output Return Loss = -S22 (dB)

TEST CONDITIONS: Vd = 4.52V, Id = 78mA @ Temperature = 25degC

FREQ	Gain	Isolation	Input Return Loss	Output Return Loss	Stability		IP-3 Output	1dB Comp. Output	Noise Figure
					K	Measure			
(MHz)	(dB)	(dB)	(dB)	(dB)	K	Measure	(dBm)	(dBm)	(dB)
50.0	21.93	24.92	31.45	31.62	1.06	0.50	38.18	19.65	3.36
100.0	21.84	24.76	33.24	29.45	1.06	0.49	37.09	19.85	3.25
200.0	21.78	24.73	33.48	28.13	1.06	0.49	36.78	19.97	3.32
400.0	21.59	24.73	33.56	25.62	1.06	0.51	37.75	19.97	3.35
600.0	21.35	24.68	33.47	23.54	1.07	0.53	35.24	19.71	3.43
800.0	21.05	24.69	32.74	21.54	1.08	0.56	35.27	19.72	3.40
1000.0	20.72	24.68	32.31	20.30	1.10	0.59	33.19	19.55	3.45
1200.0	20.36	24.67	32.18	18.86	1.11	0.62	33.63	19.40	3.51
1400.0	19.99	24.64	31.15	17.96	1.13	0.64	32.15	18.95	3.57
1600.0	19.61	24.59	30.29	17.14	1.15	0.67	32.05	18.76	3.59
1800.0	19.23	24.60	28.38	16.52	1.17	0.69	31.30	18.11	3.63
2000.0	18.87	24.50	26.71	15.88	1.18	0.71	30.43	17.68	3.66
2200.0	18.48	24.60	24.74	15.61	1.22	0.74	29.89	17.15	3.64
2400.0	18.15	24.43	23.39	15.15	1.23	0.75	29.18	16.59	3.62
2600.0	17.83	24.36	22.09	14.58	1.24	0.76	28.60	15.93	3.71
2800.0	17.51	24.32	21.09	14.30	1.26	0.78	28.00	15.42	3.72
3000.0	17.18	24.32	20.46	14.08	1.29	0.79	27.41	14.90	3.69
3200.0	16.90	24.28	19.87	13.79	1.30	0.80	26.56	14.39	3.78
3400.0	16.65	24.20	19.66	13.50	1.32	0.81	26.14	14.06	3.78
3600.0	16.42	24.19	18.79	13.41	1.33	0.82	25.98	13.91	3.79
3800.0	16.23	24.16	18.47	13.16	1.34	0.82	25.23	13.19	3.83
4000.0	16.04	24.04	18.58	12.57	1.34	0.82	24.84	12.91	3.85
4200.0	15.74	23.90	19.42	12.31	1.36	0.82	24.35	12.39	3.89
4400.0	15.64	23.96	19.05	12.01	1.37	0.82	23.96	12.04	3.90
4600.0	15.52	23.77	18.20	11.45	1.34	0.82	23.48	11.59	3.93
4800.0	15.34	24.15	18.95	11.82	1.42	0.84	23.08	11.17	3.98
5000.0	15.35	23.86	17.19	10.77	1.35	0.82	22.75	10.84	3.96
5200.0	15.35	24.21	16.99	11.10	1.39	0.84	21.63	10.24	3.97
5400.0	15.14	23.79	17.16	10.13	1.34	0.81	21.19	9.76	4.06
5600.0	15.10	23.81	16.85	9.80	1.34	0.81	20.88	9.63	4.05
5800.0	15.11	23.84	16.42	9.53	1.32	0.81	20.50	9.27	4.06
6000.0	14.99	23.62	16.70	9.00	1.29	0.79	19.95	8.78	4.11
6200.0	15.03	23.46	17.37	8.90	1.28	0.78	19.38	8.35	4.16
6400.0	15.02	23.76	16.17	8.65	1.29	0.78	18.49	7.84	4.20
6600.0	14.97	23.81	15.76	8.22	1.28	0.78	18.31	7.59	4.21
6800.0	15.07	23.48	16.51	7.85	1.22	0.74	17.63	7.13	4.33
7000.0	14.88	23.78	15.62	7.51	1.25	0.75	17.59	6.96	4.32
7200.0	14.70	23.78	16.46	6.59	1.24	0.69	16.88	6.62	4.35
7400.0	14.42	23.45	16.44	7.56	1.29	0.74	16.81	6.39	4.43
7600.0	14.05	23.36	16.87	6.53	1.29	0.67	16.40	5.96	4.54
7800.0	13.33	23.48	15.97	6.58	1.39	0.69	16.11	5.89	4.58
8000.0	12.78	24.35	14.34	5.81	1.52	0.67	15.76	5.53	4.67

## Typical Performance Data

**Definitions:**

Input Return Loss = -S11 (dB)

Gain(Power Gain) = S21 (dB)

Reverse Isolation = -S12 (dB)

Output Return Loss = -S22 (dB)

TEST CONDITIONS: Vd = 4.70V, Id = 65mA @ Temperature = -45degC

FREQ	Gain	Isolation	Input Return Loss	Output Return Loss	Stability		IP-3 Output	1dB Comp. Output	Noise Figure
					K	Measure			
(MHz)	(dB)	(dB)	(dB)	(dB)	K	Measure	(dBm)	(dBm)	(dB)
50.0	21.97	24.58	30.07	32.90	1.04	0.45	40.28	18.83	2.75
100.0	21.90	24.73	31.08	30.57	1.05	0.48	37.40	19.20	2.69
200.0	21.84	24.73	30.46	29.46	1.05	0.49	36.49	19.27	2.71
400.0	21.66	24.67	32.45	25.78	1.06	0.50	38.22	19.25	2.74
600.0	21.44	24.67	32.35	23.95	1.07	0.52	36.03	19.14	2.81
800.0	21.16	24.66	32.40	21.92	1.08	0.55	35.88	19.05	2.78
1000.0	20.85	24.54	33.79	20.39	1.08	0.57	34.28	18.93	2.75
1200.0	20.51	24.55	34.17	19.11	1.10	0.60	34.91	18.84	2.86
1400.0	20.16	24.54	33.08	18.19	1.12	0.62	33.70	18.75	2.90
1600.0	19.80	24.48	33.38	17.29	1.13	0.64	33.41	18.52	2.93
1800.0	19.43	24.46	30.77	16.69	1.15	0.67	32.74	18.23	2.97
2000.0	19.10	24.36	28.40	16.14	1.16	0.69	31.87	17.80	2.94
2200.0	18.72	24.36	26.29	15.76	1.18	0.71	31.20	17.30	3.01
2400.0	18.41	24.31	24.79	15.36	1.20	0.73	30.51	16.79	2.93
2600.0	18.09	24.21	23.09	14.90	1.21	0.74	29.81	16.19	3.01
2800.0	17.80	24.14	22.10	14.58	1.22	0.75	29.31	15.65	3.01
3000.0	17.49	24.16	21.43	14.40	1.25	0.77	28.80	15.15	2.96
3200.0	17.23	24.03	20.39	14.13	1.25	0.78	27.75	14.67	3.04
3400.0	16.97	24.01	20.74	13.83	1.27	0.78	27.23	14.38	3.03
3600.0	16.77	24.06	19.16	13.99	1.29	0.80	27.27	14.28	3.08
3800.0	16.59	23.87	19.68	13.23	1.28	0.79	26.46	13.61	3.10
4000.0	16.40	23.84	19.51	12.90	1.29	0.80	26.09	13.35	3.05
4200.0	16.15	23.81	20.10	12.56	1.31	0.80	25.64	12.86	3.11
4400.0	16.02	23.74	20.31	12.25	1.31	0.80	25.27	12.51	3.11
4600.0	15.90	23.63	19.37	11.63	1.30	0.80	24.80	12.01	3.16
4800.0	15.74	23.91	20.35	12.05	1.36	0.81	24.46	11.57	3.20
5000.0	15.70	23.61	18.52	10.82	1.29	0.79	24.17	11.25	3.16
5200.0	15.82	24.03	17.93	11.19	1.33	0.81	22.93	10.70	3.17
5400.0	15.60	23.62	17.90	10.27	1.28	0.79	22.47	10.20	3.23
5600.0	15.57	23.62	17.99	9.93	1.28	0.79	22.18	10.11	3.28
5800.0	15.58	23.65	17.25	9.61	1.26	0.78	21.85	9.75	3.29
6000.0	15.54	23.48	17.50	9.18	1.24	0.77	21.20	9.24	3.30
6200.0	15.57	23.29	18.32	9.16	1.22	0.75	20.64	8.83	3.35
6400.0	15.62	23.52	16.53	8.73	1.21	0.76	19.58	8.30	3.38
6600.0	15.66	23.45	16.77	8.35	1.19	0.74	19.30	8.05	3.46
6800.0	15.81	23.42	16.85	8.01	1.16	0.72	18.52	7.64	3.41
7000.0	15.69	23.42	16.32	7.33	1.14	0.69	18.46	7.43	3.50
7200.0	15.77	22.79	18.22	6.51	1.07	0.60	17.35	7.03	3.53
7400.0	15.38	23.34	16.65	6.90	1.15	0.67	17.72	6.88	3.59
7600.0	15.11	22.91	17.36	6.24	1.13	0.61	17.19	6.43	3.62
7800.0	14.49	22.98	16.52	6.31	1.19	0.63	16.96	6.32	3.76
8000.0	14.00	23.46	14.30	5.66	1.26	0.61	16.46	5.98	3.78

## Typical Performance Data

**Definitions:**

Input Return Loss = -S11 (dB)

Gain(Power Gain) = S21 (dB)

Reverse Isolation = -S12 (dB)

Output Return Loss = -S22 (dB)

TEST CONDITIONS: Vd = 4.64V, Id = 52mA @ Temperature = -45degC

FREQ	Gain	Isolation	Input Return Loss	Output Return Loss	Stability		IP-3 Output	1dB Comp. Output	Noise Figure
					K	Measure			
(MHz)	(dB)	(dB)	(dB)	(dB)	K	Measure	(dBm)	(dBm)	(dB)
50.0	21.80	24.82	25.93	41.51	1.06	0.50	33.98	16.82	2.75
100.0	21.73	24.62	27.35	36.25	1.05	0.49	33.54	17.43	2.66
200.0	21.67	24.59	26.95	33.04	1.05	0.49	33.21	17.37	2.71
400.0	21.49	24.51	28.12	27.67	1.06	0.50	33.38	17.14	2.70
600.0	21.28	24.50	28.24	25.17	1.07	0.52	33.21	17.16	2.76
800.0	21.01	24.44	28.61	22.85	1.07	0.54	32.94	16.86	2.73
1000.0	20.71	24.43	29.54	21.12	1.08	0.57	32.20	16.86	2.77
1200.0	20.37	24.37	29.80	19.71	1.10	0.60	32.67	16.70	2.87
1400.0	20.03	24.38	29.18	18.64	1.11	0.62	32.65	16.87	2.87
1600.0	19.67	24.28	29.27	17.70	1.12	0.64	32.06	16.50	2.89
1800.0	19.32	24.29	27.58	17.04	1.14	0.67	31.87	16.65	2.91
2000.0	18.97	24.28	25.75	16.47	1.16	0.69	30.88	16.30	2.90
2200.0	18.61	24.21	24.21	16.01	1.18	0.71	30.55	16.01	2.91
2400.0	18.29	24.19	23.06	15.57	1.20	0.73	29.86	15.73	2.92
2600.0	17.99	24.11	21.60	15.09	1.21	0.75	29.14	15.30	2.97
2800.0	17.69	24.00	20.73	14.74	1.22	0.76	28.70	14.83	2.95
3000.0	17.38	24.04	20.14	14.62	1.24	0.77	27.99	14.37	2.92
3200.0	17.13	23.94	19.35	14.27	1.25	0.78	27.17	13.91	3.02
3400.0	16.87	23.86	19.56	13.96	1.27	0.79	26.69	13.69	2.95
3600.0	16.66	23.94	18.26	14.11	1.29	0.81	26.59	13.55	3.00
3800.0	16.48	23.76	18.68	13.44	1.28	0.80	25.85	12.95	3.08
4000.0	16.30	23.75	18.50	13.19	1.29	0.81	25.44	12.63	2.99
4200.0	16.04	23.69	19.05	12.82	1.31	0.81	24.94	12.12	3.09
4400.0	15.91	23.64	19.19	12.50	1.31	0.81	24.51	11.75	3.08
4600.0	15.77	23.58	18.51	11.88	1.31	0.81	24.13	11.31	3.09
4800.0	15.63	23.86	19.16	12.30	1.37	0.82	23.69	10.91	3.09
5000.0	15.60	23.51	17.56	11.05	1.29	0.80	23.37	10.55	3.12
5200.0	15.69	23.92	17.04	11.49	1.33	0.83	22.18	10.01	3.16
5400.0	15.48	23.53	16.95	10.51	1.29	0.80	21.68	9.52	3.12
5600.0	15.43	23.60	16.98	10.24	1.29	0.80	21.36	9.42	3.19
5800.0	15.43	23.58	16.41	9.93	1.27	0.80	21.01	9.02	3.17
6000.0	15.37	23.34	16.57	9.45	1.24	0.78	20.35	8.53	3.21
6200.0	15.40	23.11	17.28	9.32	1.22	0.76	19.83	8.18	3.19
6400.0	15.42	23.51	15.78	9.09	1.24	0.78	18.76	7.68	3.25
6600.0	15.46	23.44	15.90	8.76	1.21	0.76	18.44	7.41	3.24
6800.0	15.59	23.33	15.99	8.53	1.18	0.75	17.78	6.94	3.43
7000.0	15.44	23.52	15.42	7.85	1.19	0.74	17.64	6.75	3.37
7200.0	15.54	23.03	17.37	6.81	1.12	0.64	16.58	6.36	3.33
7400.0	15.04	23.19	15.55	7.77	1.20	0.73	16.92	6.25	3.56
7600.0	14.82	22.99	16.59	6.57	1.18	0.64	16.39	5.91	3.65
7800.0	14.15	22.74	16.04	6.90	1.24	0.67	16.20	5.87	3.63
8000.0	13.67	24.11	13.91	5.76	1.38	0.64	15.81	5.49	3.80

## Typical Performance Data

**Definitions:**

Input Return Loss = -S11 (dB)

Gain(Power Gain) = S21 (dB)

Reverse Isolation = -S12 (dB)

Output Return Loss = -S22 (dB)

TEST CONDITIONS: Vd = 4.75V, Id = 78mA @ Temperature = -45degC

FREQ	Gain	Isolation	Input Return Loss	Output Return Loss	Stability		IP-3 Output	1dB Comp. Output	Noise Figure
					K	Measure			
(MHz)	(dB)	(dB)	(dB)	(dB)	K	Measure	(dBm)	(dBm)	(dB)
50.0	22.09	24.51	34.52	29.47	1.04	0.43	45.19	19.99	2.81
100.0	22.01	24.78	34.95	27.89	1.05	0.47	42.91	20.29	2.72
200.0	21.95	24.82	33.93	27.21	1.05	0.48	38.96	20.39	2.75
400.0	21.77	24.83	36.32	24.53	1.06	0.50	39.33	20.38	2.78
600.0	21.54	24.78	36.48	22.91	1.07	0.52	39.69	20.23	2.83
800.0	21.25	24.73	35.90	21.28	1.07	0.54	36.45	20.21	2.79
1000.0	20.94	24.71	37.67	19.86	1.09	0.57	35.25	20.10	2.85
1200.0	20.60	24.61	38.48	18.68	1.10	0.59	35.56	19.97	2.92
1400.0	20.25	24.66	36.97	17.86	1.12	0.62	33.95	19.63	2.93
1600.0	19.88	24.59	37.91	17.01	1.13	0.64	33.57	19.46	2.94
1800.0	19.51	24.54	34.20	16.45	1.15	0.67	32.54	18.88	2.95
2000.0	19.17	24.46	30.57	15.94	1.16	0.68	31.85	18.48	2.99
2200.0	18.80	24.47	28.09	15.58	1.19	0.71	31.29	17.95	3.09
2400.0	18.48	24.37	26.23	15.15	1.20	0.72	30.62	17.39	2.98
2600.0	18.17	24.31	24.32	14.77	1.21	0.74	30.07	16.75	3.04
2800.0	17.87	24.23	23.09	14.43	1.23	0.75	29.75	16.30	3.07
3000.0	17.56	24.25	22.38	14.25	1.25	0.77	29.09	15.74	3.00
3200.0	17.30	24.14	21.28	14.03	1.26	0.78	28.15	15.23	3.09
3400.0	17.04	24.14	21.66	13.68	1.28	0.78	27.76	14.91	3.05
3600.0	16.83	24.23	20.06	13.96	1.31	0.80	27.57	14.83	3.11
3800.0	16.65	23.97	20.51	13.14	1.29	0.79	26.82	14.16	3.15
4000.0	16.48	23.91	20.32	12.73	1.29	0.79	26.43	13.95	3.10
4200.0	16.23	23.86	20.89	12.37	1.31	0.79	26.13	13.39	3.20
4400.0	16.09	23.84	21.30	12.11	1.32	0.79	25.78	13.09	3.20
4600.0	15.95	23.66	20.31	11.44	1.30	0.79	25.34	12.62	3.21
4800.0	15.83	23.99	21.01	11.79	1.36	0.81	24.96	12.16	3.23
5000.0	15.79	23.72	19.35	10.66	1.30	0.79	24.66	11.89	3.26
5200.0	15.90	24.06	18.68	11.00	1.32	0.81	23.53	11.29	3.25
5400.0	15.70	23.72	18.69	10.06	1.28	0.78	23.00	10.77	3.30
5600.0	15.67	23.67	18.66	9.71	1.27	0.77	22.72	10.75	3.33
5800.0	15.68	23.68	18.10	9.36	1.25	0.77	22.43	10.35	3.36
6000.0	15.62	23.48	18.53	8.93	1.23	0.75	21.76	9.81	3.32
6200.0	15.66	23.38	19.05	8.82	1.22	0.74	21.18	9.40	3.43
6400.0	15.75	23.56	17.52	8.44	1.20	0.74	20.21	8.91	3.39
6600.0	15.79	23.52	17.54	8.04	1.17	0.72	19.91	8.63	3.48
6800.0	15.98	23.44	17.61	7.73	1.14	0.70	19.21	8.17	3.56
7000.0	15.88	23.52	17.05	7.04	1.12	0.68	19.12	8.03	3.60
7200.0	16.01	23.02	19.38	5.95	1.04	0.56	18.12	7.62	3.65
7400.0	15.59	23.33	17.16	6.83	1.13	0.66	18.32	7.31	3.67
7600.0	15.40	23.03	18.41	5.79	1.09	0.57	17.72	6.91	3.77
7800.0	14.67	22.61	17.14	6.14	1.14	0.60	17.64	6.68	3.85
8000.0	14.25	23.78	14.86	5.18	1.24	0.56	17.25	6.43	3.85

## Typical Performance Data

**Definitions:**

Input Return Loss = -S11 (dB)

Gain(Power Gain) = S21 (dB)

Reverse Isolation = -S12 (dB)

Output Return Loss = -S22 (dB)

TEST CONDITIONS: Vd = 4.28V, Id = 65mA @ Temperature = 85degC

FREQ	Gain	Isolation	Input Return Loss	Output Return Loss	Stability		IP-3 Output	1dB Comp. Output	Noise Figure
					K	Measure			
(MHz)	(dB)	(dB)	(dB)	(dB)	K	Measure	(dBm)	(dBm)	(dB)
50.0	21.63	24.19	26.46	53.50	1.04	0.45	36.86	18.30	3.83
100.0	21.55	24.45	27.99	37.89	1.05	0.49	34.62	18.58	3.78
200.0	21.48	24.46	28.72	32.58	1.06	0.50	34.45	18.66	3.75
400.0	21.28	24.50	27.99	27.61	1.07	0.52	35.86	18.65	3.80
600.0	21.03	24.52	27.66	24.91	1.08	0.55	33.72	18.44	3.95
800.0	20.72	24.48	27.38	22.06	1.09	0.58	33.76	18.41	3.89
1000.0	20.38	24.46	26.09	21.00	1.10	0.61	31.59	18.26	3.93
1200.0	20.01	24.47	25.97	19.16	1.12	0.64	31.77	18.11	3.97
1400.0	19.62	24.45	24.83	18.30	1.14	0.66	31.20	17.74	4.04
1600.0	19.23	24.42	24.13	17.37	1.16	0.69	30.33	17.51	4.08
1800.0	18.84	24.45	23.02	16.65	1.18	0.72	29.73	16.87	4.15
2000.0	18.46	24.37	21.90	15.97	1.20	0.73	28.82	16.37	4.15
2200.0	18.07	24.36	20.99	15.56	1.23	0.76	28.22	15.77	4.18
2400.0	17.72	24.37	20.00	15.17	1.25	0.78	27.49	15.18	4.15
2600.0	17.37	24.38	19.13	14.61	1.28	0.79	26.77	14.55	4.22
2800.0	17.06	24.28	18.42	14.29	1.29	0.80	26.31	14.03	4.27
3000.0	16.71	24.27	18.04	13.99	1.32	0.82	25.53	13.51	4.21
3200.0	16.44	24.16	17.44	13.63	1.32	0.83	24.69	13.02	4.30
3400.0	16.15	24.09	17.67	13.38	1.35	0.83	24.24	12.60	4.33
3600.0	15.90	24.13	16.82	13.12	1.37	0.84	24.11	12.36	4.38
3800.0	15.66	24.21	16.52	13.34	1.40	0.86	23.27	11.64	4.39
4000.0	15.50	24.09	16.21	12.74	1.39	0.86	22.72	11.31	4.40
4200.0	15.19	23.94	16.96	12.47	1.42	0.85	22.18	10.80	4.45
4400.0	15.04	23.91	16.47	12.30	1.42	0.86	21.64	10.41	4.48
4600.0	14.90	23.90	16.04	11.72	1.42	0.86	21.23	9.91	4.51
4800.0	14.70	24.14	16.38	12.18	1.49	0.87	20.82	9.51	4.56
5000.0	14.69	23.97	14.89	11.12	1.42	0.87	20.44	9.14	4.55
5200.0	14.56	24.14	15.18	11.39	1.47	0.88	19.39	8.59	4.62
5400.0	14.41	23.88	14.76	10.52	1.43	0.86	19.04	8.12	4.67
5600.0	14.32	23.96	14.50	10.30	1.44	0.87	18.58	7.96	4.67
5800.0	14.28	24.16	14.19	10.14	1.46	0.87	18.22	7.55	4.73
6000.0	14.07	23.81	14.21	9.55	1.42	0.86	17.81	7.14	4.76
6200.0	14.01	23.64	14.89	9.60	1.42	0.85	17.31	6.71	4.82
6400.0	13.97	23.86	14.35	9.29	1.43	0.85	16.52	6.29	4.86
6600.0	13.83	23.98	13.65	9.25	1.45	0.86	16.36	6.02	4.88
6800.0	13.68	23.90	14.60	8.64	1.46	0.83	15.91	5.65	4.92
7000.0	13.54	24.01	14.32	9.11	1.51	0.85	15.80	5.45	4.99
7200.0	13.21	24.23	15.18	7.79	1.55	0.80	15.23	5.15	5.02
7400.0	12.92	23.18	16.62	8.95	1.52	0.81	14.99	4.85	5.14
7600.0	12.43	24.57	15.74	7.22	1.73	0.76	14.84	4.59	5.16
7800.0	11.57	23.76	15.34	8.07	1.79	0.81	14.48	4.55	5.23
8000.0	10.87	23.93	15.00	7.39	1.92	0.78	14.21	4.28	5.39

## Typical Performance Data

### Definitions:

Input Return Loss = -S11 (dB)

Gain(Power Gain) = S21 (dB)

Reverse Isolation = -S12 (dB)

Output Return Loss = -S22 (dB)

TEST CONDITIONS: Vd = 4.21V, Id = 52mA @ Temperature = 85degC

FREQ	Gain	Isolation	Input Return Loss	Output Return Loss	Stability		IP-3 Output	1dB Comp. Output	Noise Figure
					K	Measure			
(MHz)	(dB)	(dB)	(dB)	(dB)	K	Measure	(dBm)	(dBm)	(dB)
50.0	21.39	24.28	23.55	32.76	1.05	0.49	33.25	16.71	3.79
100.0	21.32	24.20	24.38	35.09	1.05	0.49	31.73	17.10	3.72
200.0	21.25	24.28	24.98	33.19	1.06	0.50	31.66	17.15	3.68
400.0	21.05	24.31	24.45	27.77	1.07	0.53	31.55	16.98	3.76
600.0	20.81	24.32	24.48	25.26	1.08	0.56	31.47	16.95	3.89
800.0	20.50	24.29	24.41	22.35	1.09	0.58	31.06	16.83	3.81
1000.0	20.17	24.28	23.37	21.18	1.10	0.61	29.96	16.73	3.90
1200.0	19.81	24.27	23.50	19.40	1.12	0.64	30.45	16.48	3.94
1400.0	19.42	24.29	22.51	18.45	1.14	0.67	30.14	16.39	3.99
1600.0	19.05	24.25	21.98	17.54	1.16	0.69	29.73	16.07	4.05
1800.0	18.66	24.23	21.19	16.78	1.18	0.72	29.41	15.82	4.07
2000.0	18.29	24.16	20.21	16.09	1.19	0.74	28.26	15.36	4.09
2200.0	17.90	24.19	19.54	15.65	1.22	0.76	27.94	14.83	4.17
2400.0	17.55	24.22	18.65	15.28	1.25	0.78	27.00	14.35	4.10
2600.0	17.21	24.19	18.00	14.71	1.27	0.80	26.45	13.75	4.18
2800.0	16.89	24.09	17.34	14.40	1.28	0.81	25.86	13.26	4.20
3000.0	16.55	24.14	17.04	14.09	1.31	0.83	25.17	12.79	4.16
3200.0	16.28	24.02	16.50	13.72	1.32	0.83	24.35	12.37	4.23
3400.0	15.98	23.94	16.71	13.51	1.34	0.84	23.86	11.98	4.24
3600.0	15.74	23.91	16.02	13.24	1.35	0.85	23.79	11.67	4.27
3800.0	15.50	24.04	15.64	13.47	1.40	0.86	22.88	10.97	4.31
4000.0	15.33	23.94	15.42	13.01	1.39	0.87	22.32	10.64	4.31
4200.0	15.03	23.77	15.99	12.64	1.41	0.86	21.69	10.12	4.34
4400.0	14.86	23.76	15.68	12.47	1.42	0.87	21.18	9.72	4.38
4600.0	14.71	23.75	15.28	11.98	1.42	0.87	20.74	9.25	4.40
4800.0	14.51	23.94	15.61	12.42	1.49	0.88	20.31	8.85	4.48
5000.0	14.50	23.91	14.22	11.47	1.44	0.88	19.96	8.45	4.43
5200.0	14.34	23.97	14.48	11.72	1.48	0.89	18.84	7.90	4.51
5400.0	14.20	23.79	14.11	10.81	1.44	0.88	18.50	7.44	4.54
5600.0	14.10	23.98	13.79	10.70	1.47	0.89	18.03	7.26	4.58
5800.0	14.04	24.06	13.59	10.55	1.48	0.89	17.64	6.91	4.59
6000.0	13.82	23.84	13.49	10.00	1.46	0.88	17.21	6.51	4.62
6200.0	13.74	23.57	14.07	10.04	1.45	0.87	16.71	6.11	4.67
6400.0	13.70	23.80	13.62	9.77	1.46	0.87	15.95	5.65	4.69
6600.0	13.53	23.98	13.14	9.81	1.51	0.88	15.77	5.37	4.71
6800.0	13.37	23.86	13.95	9.23	1.51	0.86	15.36	5.06	4.78
7000.0	13.18	23.93	13.70	9.71	1.57	0.88	15.25	4.84	4.82
7200.0	12.87	24.12	14.63	8.33	1.61	0.83	14.66	4.58	4.86
7400.0	12.57	23.17	16.03	9.55	1.59	0.84	14.51	4.35	4.98
7600.0	12.08	24.36	15.29	7.70	1.79	0.79	14.30	4.11	5.02
7800.0	11.21	23.65	14.96	8.57	1.86	0.83	14.01	4.06	5.06
8000.0	10.54	23.76	14.61	7.83	1.98	0.80	13.74	3.72	5.17

## Typical Performance Data

**Definitions:**

Input Return Loss = -S11 (dB)

Gain(Power Gain) = S21 (dB)

Reverse Isolation = -S12 (dB)

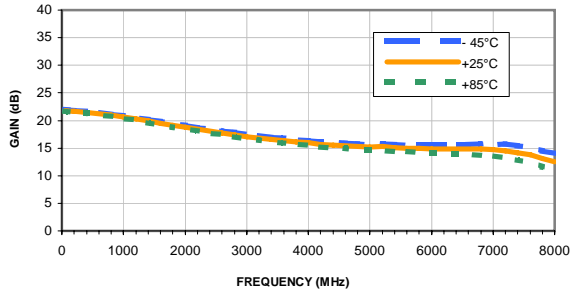
Output Return Loss = -S22 (dB)

TEST CONDITIONS: Vd = 4.33V, Id = 78mA @ Temperature = 85degC

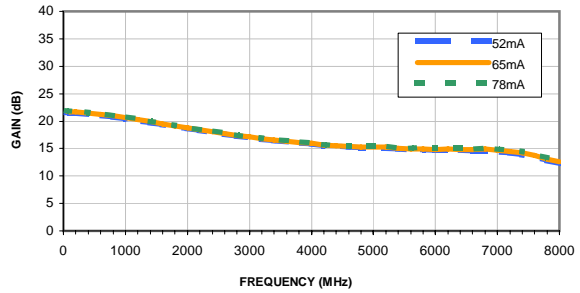
FREQ	Gain	Isolation	Input Return Loss	Output Return Loss	Stability		IP-3 Output	1dB Comp. Output	Noise Figure
					K	Measure			
(MHz)	(dB)	(dB)	(dB)	(dB)	K	Measure	(dBm)	(dBm)	(dB)
50.0	21.78	24.79	28.73	35.16	1.06	0.50	41.43	19.27	3.89
100.0	21.70	24.59	31.24	31.90	1.05	0.49	37.01	19.36	3.80
200.0	21.62	24.60	32.24	29.49	1.06	0.50	36.80	19.49	3.79
400.0	21.42	24.57	31.04	26.42	1.06	0.52	35.71	19.50	3.87
600.0	21.16	24.65	30.32	24.17	1.08	0.55	34.46	19.19	3.99
800.0	20.84	24.61	29.69	21.67	1.09	0.58	34.03	19.21	3.92
1000.0	20.50	24.60	28.00	20.74	1.10	0.61	32.04	18.95	3.93
1200.0	20.12	24.60	27.79	18.97	1.12	0.63	32.49	18.78	4.03
1400.0	19.73	24.61	26.43	18.14	1.14	0.67	31.37	18.25	4.10
1600.0	19.34	24.55	25.47	17.27	1.16	0.69	30.86	18.00	4.15
1800.0	18.93	24.57	24.26	16.55	1.19	0.72	30.02	17.30	4.18
2000.0	18.56	24.54	22.93	15.93	1.21	0.74	29.09	16.83	4.22
2200.0	18.16	24.50	21.92	15.54	1.23	0.76	28.39	16.25	4.23
2400.0	17.80	24.43	20.76	15.14	1.25	0.77	27.69	15.65	4.21
2600.0	17.46	24.49	19.90	14.63	1.28	0.79	26.96	14.99	4.30
2800.0	17.14	24.31	19.07	14.31	1.29	0.80	26.33	14.45	4.29
3000.0	16.79	24.41	18.62	13.98	1.33	0.82	25.87	13.93	4.27
3200.0	16.52	24.28	18.00	13.58	1.33	0.82	24.90	13.42	4.37
3400.0	16.21	24.18	18.26	13.40	1.35	0.83	24.40	12.99	4.39
3600.0	15.97	24.17	17.34	13.11	1.37	0.84	24.21	12.79	4.46
3800.0	15.74	24.30	16.95	13.34	1.41	0.85	23.42	12.04	4.51
4000.0	15.57	24.14	16.69	12.70	1.40	0.85	22.89	11.72	4.46
4200.0	15.27	24.00	17.37	12.45	1.42	0.85	22.33	11.16	4.55
4400.0	15.11	23.98	16.98	12.30	1.43	0.86	21.83	10.78	4.56
4600.0	14.97	23.87	16.54	11.67	1.41	0.85	21.40	10.32	4.58
4800.0	14.77	24.13	16.81	12.13	1.48	0.87	21.00	9.95	4.63
5000.0	14.76	23.99	15.28	11.08	1.42	0.86	20.66	9.56	4.61
5200.0	14.63	24.13	15.59	11.30	1.47	0.87	19.64	9.03	4.72
5400.0	14.49	23.92	15.10	10.44	1.42	0.86	19.25	8.52	4.75
5600.0	14.40	24.06	14.84	10.25	1.44	0.86	18.85	8.35	4.81
5800.0	14.36	24.16	14.57	10.07	1.45	0.86	18.48	7.97	4.84
6000.0	14.15	23.89	14.55	9.46	1.42	0.85	18.07	7.56	4.86
6200.0	14.10	23.73	15.17	9.50	1.42	0.84	17.59	7.16	4.94
6400.0	14.07	23.89	14.66	9.21	1.42	0.84	16.83	6.68	4.93
6600.0	13.93	24.05	13.97	9.13	1.45	0.85	16.67	6.41	4.99
6800.0	13.79	23.95	14.84	8.54	1.45	0.82	16.21	6.04	5.04
7000.0	13.64	24.09	14.63	8.94	1.51	0.84	16.05	5.83	5.13
7200.0	13.32	24.18	15.46	7.74	1.52	0.79	15.47	5.49	5.15
7400.0	13.02	23.23	16.87	8.87	1.51	0.81	15.33	5.20	5.33
7600.0	12.56	24.37	16.09	7.15	1.68	0.75	15.05	4.93	5.34
7800.0	11.68	23.83	15.56	7.88	1.77	0.80	14.75	4.88	5.41
8000.0	10.99	23.97	15.07	7.25	1.90	0.77	14.47	4.52	5.52

## Typical Performance Curves

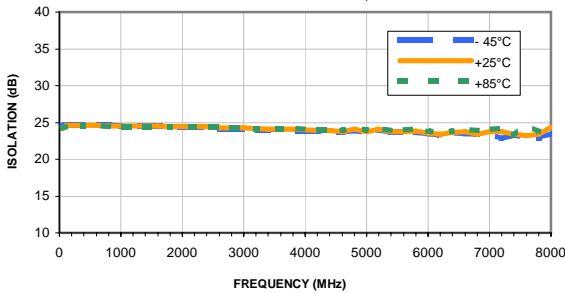
**GAIN vs. FREQUENCY & TEMPERATURE**  
INPUT POWER = -25dBm, I<sub>d</sub> = 65mA



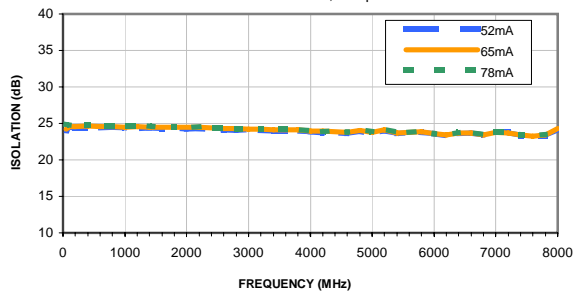
**GAIN vs. FREQUENCY & CURRENT**  
INPUT POWER = -25dBm, Temperature = +25°C



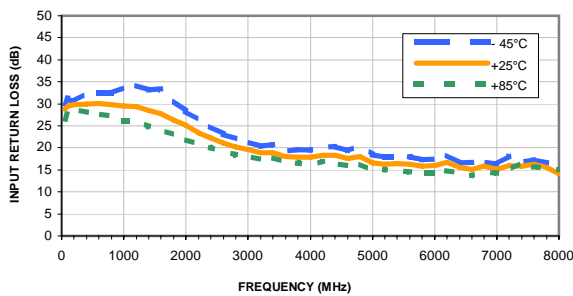
**ISOLATION vs. FREQUENCY & TEMPERATURE**  
INPUT POWER = -25dBm, I<sub>d</sub> = 65mA



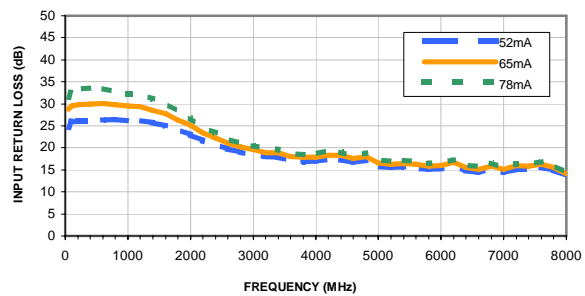
**ISOLATION vs. FREQUENCY & CURRENT**  
INPUT POWER = -25dBm, Temperature = +25°C



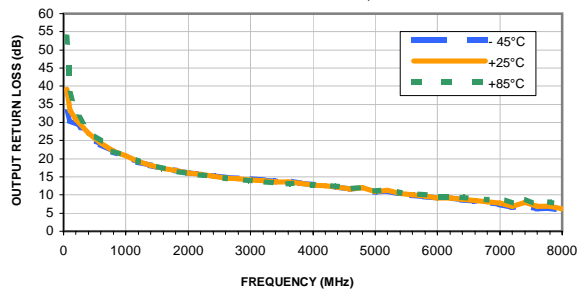
**INPUT RETURN LOSS vs. FREQUENCY & TEMPERATURE**  
INPUT POWER = -25dBm, I<sub>d</sub> = 65mA



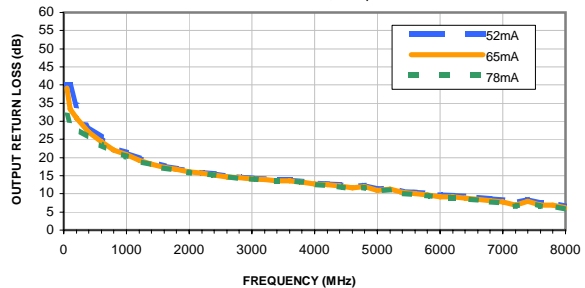
**INPUT RETURN LOSS vs. FREQUENCY & CURRENT**  
INPUT POWER = -25dBm, Temperature = +25°C



**OUTPUT RETURN LOSS vs. FREQUENCY & TEMPERATURE**  
INPUT POWER = -25dBm, I<sub>d</sub> = 65mA

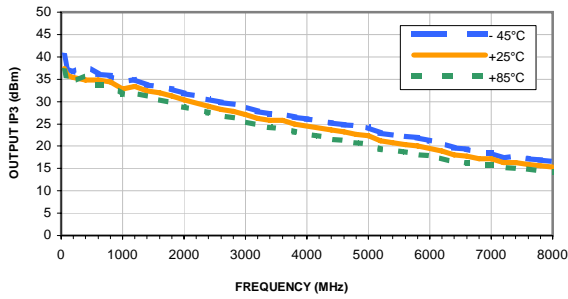


**OUTPUT RETURN LOSS vs. DEVICE VOLTAGE**  
INPUT POWER = -25dBm, Temperature = +25°C

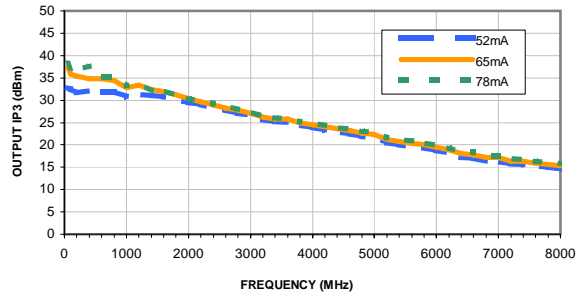


## Typical Performance Curves

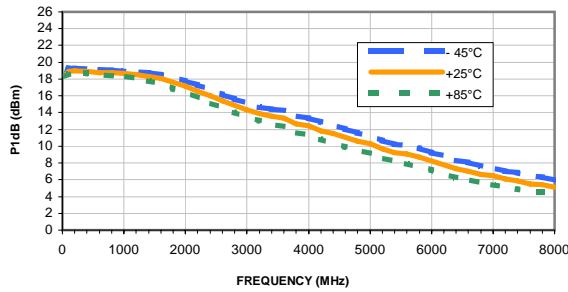
**OUTPUT IP3 vs. FREQUENCY & TEMPERATURE**  
OUTPUT POWER = 0 dBm/tone, Id = 65mA



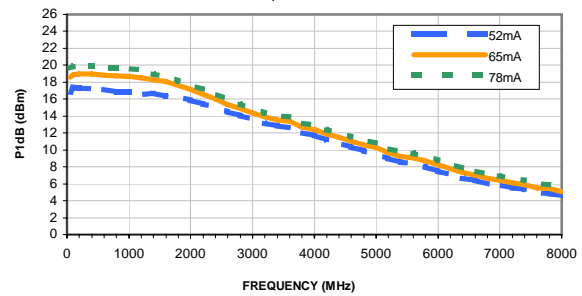
**OUTPUT IP3 vs. FREQUENCY & CURRENT**  
OUTPUT POWER = 0 dBm/tone, Temperature = +25°C



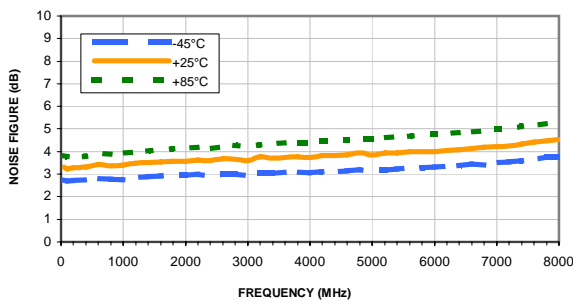
**P1dB vs. FREQUENCY & TEMPERATURE**  
Id = 65mA



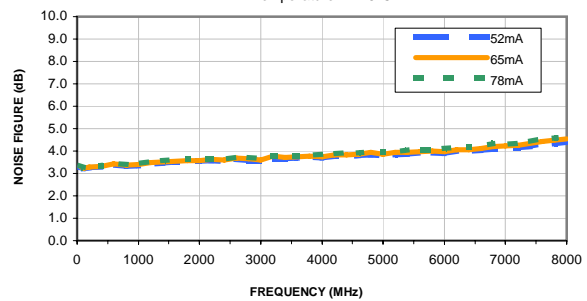
**P1dB vs. FREQUENCY & CURRENT**  
Temperature = +25°C



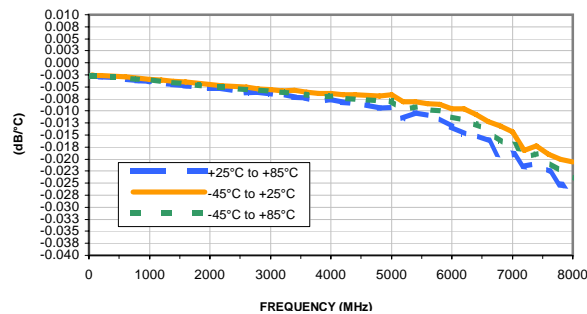
**NOISE FIGURE vs. FREQUENCY & TEMPERATURE**  
Id = 65mA



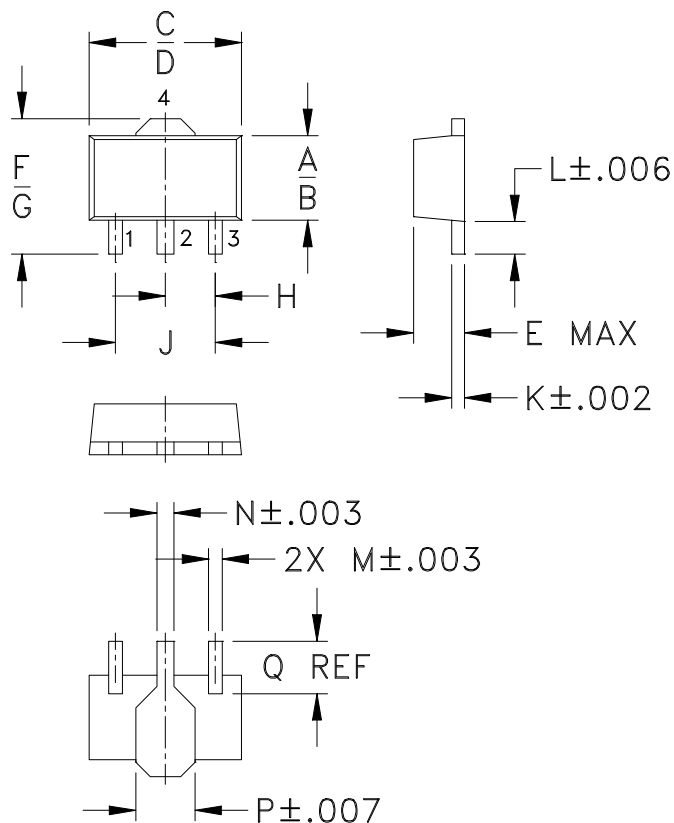
**NOISE FIGURE vs. FREQUENCY & CURRENT**  
Temperature = +25°C



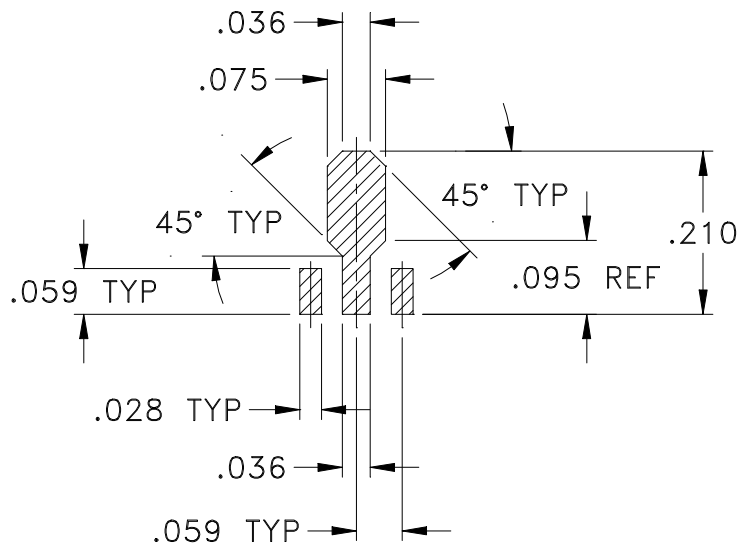
**GAIN VARIATION vs. FREQUENCY & TEMPERATURE**  
INPUT POWER = -25dBm, Id = 65mA



### Outline Dimensions



### PCB Land Pattern



Suggested Layout,  
Tolerance to be within  $\pm .002$

CASE #	A	B	C	D	E	F	G	H	J	K	L	M
DF782	.102 (2.59)	.090 (2.29)	.181 (4.60)	.173 (4.39)	.063 (1.60)	.167 (4.24)	.155 (3.94)	.059 (1.50)	.118 (3.00)	.015 (0.38)	.041 (1.04)	.016 (0.41)

CASE #	N	P	Q	WT. GRAM
DF782	.019 (0.48)	.065 (1.65)	.062 (1.57)	.2

Dimensions are in inches (mm). Tolerances: 2 Pl.  $\pm .01$ ; 3Pl.  $\pm .005$

#### Notes:

- Case material: Plastic.
- Termination finish:  
For RoHS Case Styles: Tin-Silver alloy plate over Nickel barrier or Matte-Tin.  
All models, (+) suffix. See model Data sheet.  
For RoHS-5 Case Styles: Tin-Lead plate. All models, no (+) suffix.



INTERNET <http://www.minicircuits.com>

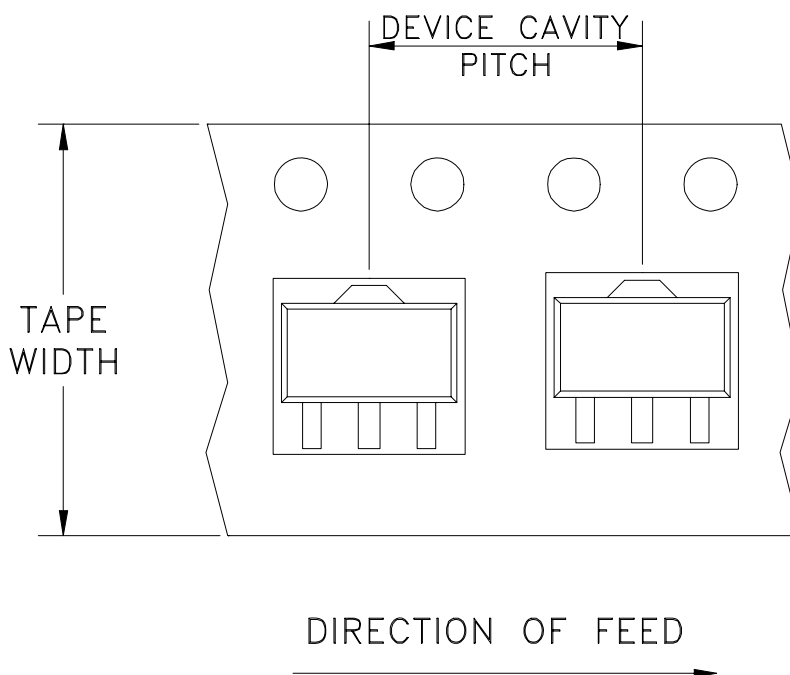
P.O. Box 350166, Brooklyn, New York 11235-0003 (718) 934-4500 Fax (718) 332-4661

Distribution Centers NORTH AMERICA 800-654-7949 • 417-335-5935 • Fax 417-335-5945 • EUROPE 44-1252-832600 • Fax 44-1252-837010

Mini-Circuits ISO 9001 & ISO 14001 Certified

# Tape & Reel Packaging TR-F55

## DEVICE ORIENTATION IN T&R



Tape Width, mm	Device Cavity Pitch, mm	Reel Size, inches	Devices per Reel	
12	8	7	Small quantity standard (see note)	20
				50
				100
				200
				500
			Standard	1000

Note: Please consult individual model data sheet to determine device per reel availability.

Mini-Circuits carrier tape materials provide protection from ESD (Electro-Static Discharge) during handling and transportation. Tapes are static dissipative and comply with industry standards EIA-481/EIA-541.

Go to: [www.minicircuits.com/pages/pdfs/tape.pdf](http://www.minicircuits.com/pages/pdfs/tape.pdf)



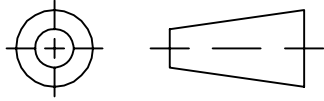
INTERNET <http://www.minicircuits.com>

P.O. Box 350166, Brooklyn, New York 11235-0003 (718) 934-4500 Fax (718) 332-4661

Distribution Centers NORTH AMERICA 800-654-7949 • 417-335-5935 • Fax 417-335-5945 • EUROPE 44-1252-832600 • Fax 44-1252-837010

Mini-Circuits ISO 9001 & ISO 14001 Certified

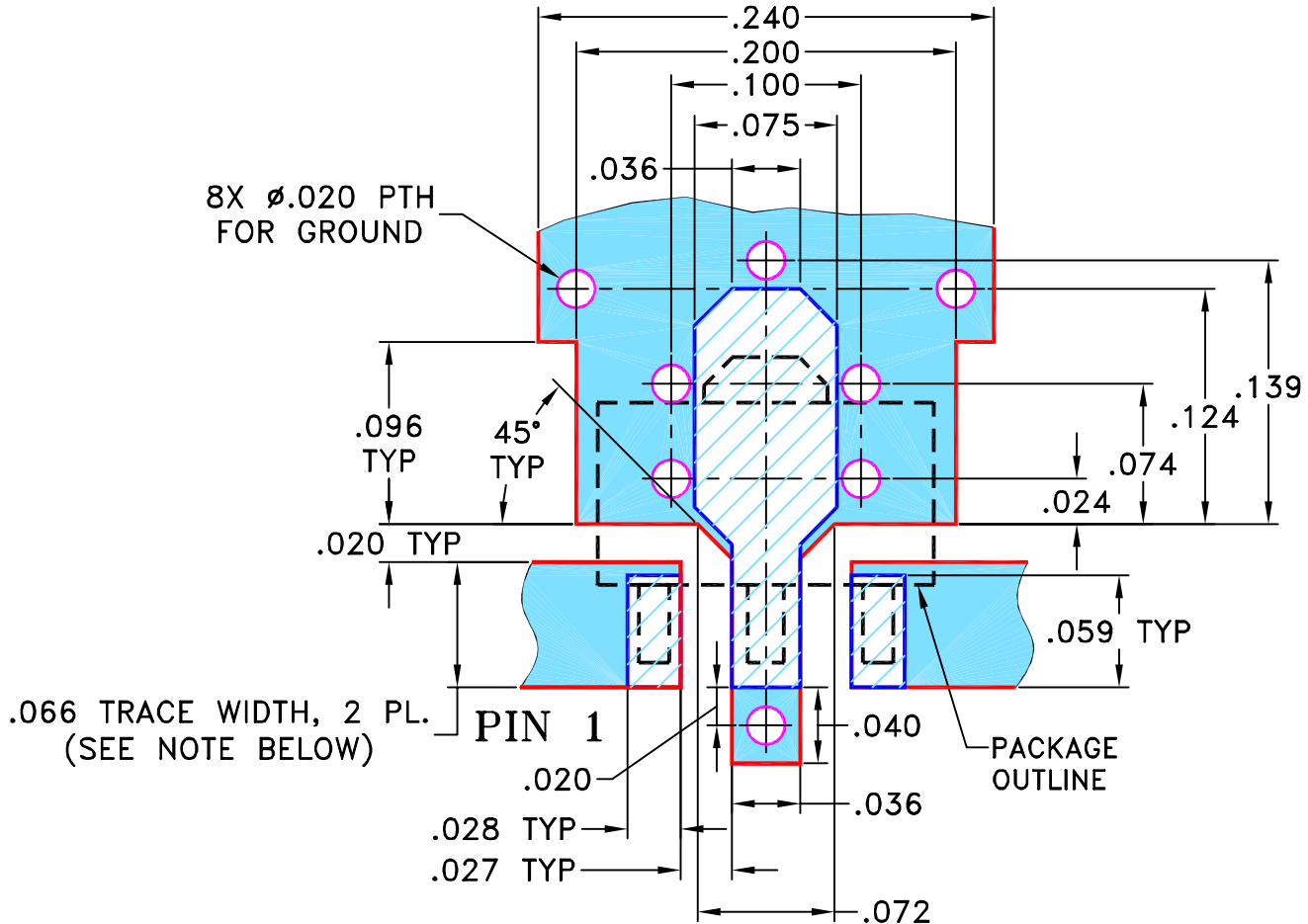
THIRD ANGLE PROJECTION



REVISIONS

REV	ECN No.	DESCRIPTION	DATE	DR	AUTH
A	M76190	CHANGED DISCRIPTION	04/01	GF	CT
B	M82575	UPDATED DRAWING	08/05/02	AV	LC
C	M102713	ADDED NOTE 2 & "...WITH SMOBC"	01/17/06	MMG	IL
D	M108434	UPDATED DRAWING PER TB-409+	11/14/06	PW	IG

SUGGESTED MOUNTING CONFIGURATION  
FOR DF782 CASE STYLE, "mz" PIN CONNECTION



- NOTES:** 1. TRACE WIDTH IS SHOWN FOR ROGERS R04350B WITH DIELECTRIC THICKNESS .030" ± .002"; COPPER: 1/2 OZ. EACH SIDE. FOR OTHER MATERIALS TRACE WIDTH MAY NEED TO BE MODIFIED.  
2. BOTTOM SIDE OF THE PCB IS CONTINUOUS GROUND PLANE.



DENOTES PCB COPPER LAYOUT WITH SMOBC (SOLDER MASK OVER BARE COPPER)



DENOTES COPPER LAND PATTERN FREE OF SOLDER MASK

UNLESS OTHERWISE SPECIFIED

INITIALS

DATE

DIMENSIONS ARE IN INCHES

TOLERANCES ON:

2 PL DECIMALS ±

3 PL DECIMALS ± .005

ANGLES ±

FRACTIONS ±



Mini-Circuits®

THIS DOCUMENT AND ITS CONTENTS ARE THE PROPERTY OF MINI-CIRCUITS. EXCEPT FOR USE EXPRESSLY GRANTED, IN WRITING, TO ITS VENDORS, VENDEE AND THE UNITED STATES GOVERNMENT, MINI-CIRCUITS RESERVES ALL PROPRIETARY DESIGN, USE, MANUFACTURING AND REPRODUCTION RIGHTS THERETO. THESE CONTENTS SHALL NOT BE USED, DUPLICATED OR DISCLOSED TO ANY OUTSIDE PARTY, IN WHOLE OR IN PART, WITHOUT WRITTEN PERMISSION OF MINI-CIRCUITS.

ASHEETA1.DWG REV:A DATE:01/12/95



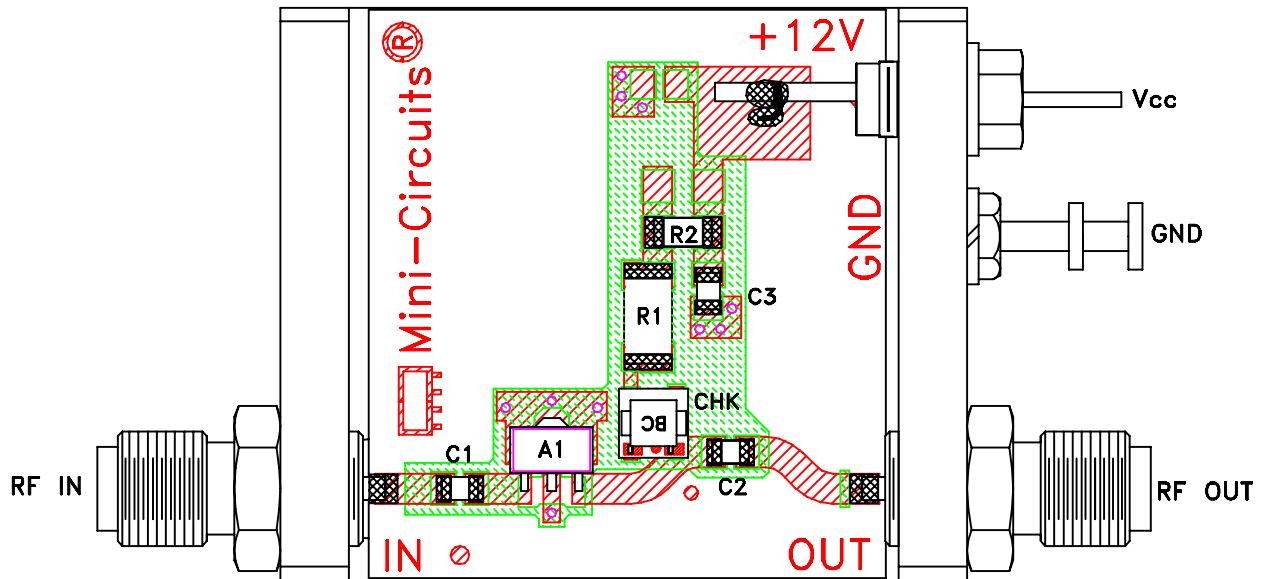
Mini-Circuits®

13 Neptune Avenue  
Brooklyn NY 11235

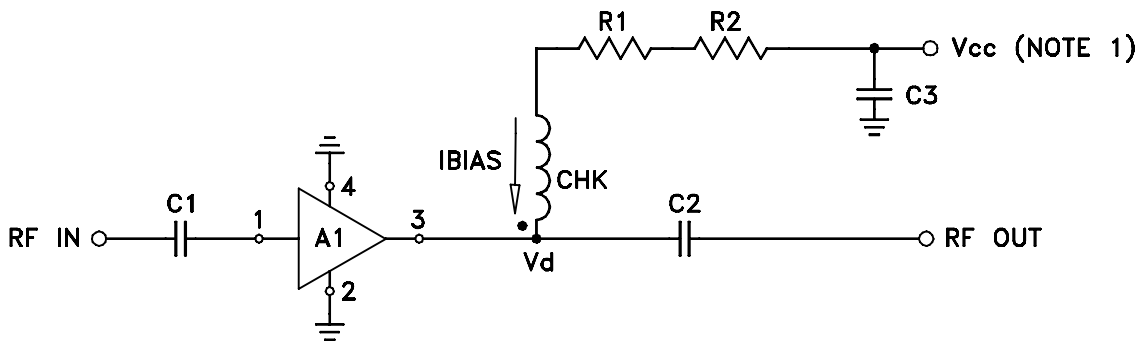
PL, mz, DF782, GALI, TB-409-XXX+

SIZE	CODE IDENT	DRAWING NO:	REV:
A	15542	98-PL-019	D
FILE:	98PL019	SCALE:	10:1
		SHEET:	1 OF 1

# Evaluation Board and Circuit



TB-409-5+




COMPONENT	VALUE
A1	Gali-5(+)
C1 (NOTE 4)	2400 pF
C2 (NOTE 4)	2400 pF
C3 (bypass)	0.1 uF
R1	115 Ohms, 0.75W
R2	2.21 Ohms, 0.25W
CHK	Mini-Circuits TCCH-80+

Schematic Diagram

**NOTE:**

1. Vcc voltage: +12±0.2V.
2. SMA Female connectors.
3. PCB material: Rogers R04350 or equivalent, dielectric constant=3.5, dielectric thickness=.030 inch.
4. Capacitors, C1 & C2 should be free of resonance up to the highest frequency specified.

 **Mini-Circuits®**

All Mini-Circuits products are manufactured under exacting quality assurance and control standards, and are capable of meeting published specifications after being subjected to any or all of the following physical and environmental test.

Specification	Test/Inspection Condition	Reference/Spec
Operating Temperature	-45° to 85°C or -40° to 85°C Ambient Environment	Individual Model Data Sheet
Storage Temperature	-65° to 150° C Ambient Environment	Individual Model Data Sheet
Thermal Shock	-55° to 100°C, 100 cycles	MIL-STD-202, Method 107, Condition A-3, except +100°C
Mechanical Shock	1.5Kg, 0.5 ms, 5 shock pulses, Y1 direction only	MIL-STD-883, Method 2002, Condition B, except Y1 direction only
Vibration (Variable Frequency)	50g peak	MIL-STD-883, Method 2007, Condition B
Autoclave	15 psig, 100% RH, 121°C, 96 hours	JESD22-A102, Condition C
HAST	130°C, 85% RH, 96 hours	JESD22-A110
Solderability	10X Magnification	J-STD-002, Para 4.2.5, Test S, 95% Coverage
Solder Reflow Heat	Sn-Pb Eutetic Process: 240°C peak Pb-Free Process: 260°C peak	J-STD-020, Table 4-1, 4-2 and 5-2; Figure 5-1
Moisture Sensitivity: Level 1	Bake at 125°C for 24 hours Soak at 85°C/85% RH for 168 hours, Reflow 3 cycles at 260°C peak	J-STD-020
Marking Resistance to Solvents	Isopropyl alcohol + mineral spirits at 25°C; terpene defluxer at 25°C; distilled water + proylene glycol monomethyl ether +	MIL-STD-202, Method 215



All Mini-Circuits products are manufactured under exacting quality assurance and control standards, and are capable of meeting published specifications after being subjected to any or all of the following physical and environmental test.

Specification	Test/Inspection Condition	Reference/Spec
	monoethanolamine at 63°C to 70°C	