

Ceramic High Pass Filter

HFCG-2000+

50Ω 2100 to 10000 MHz



Generic photo used for illustration purposes only
CASE STYLE: GE0805C-9

The Big Deal

- Low insertion loss, 0.9 dB typical
- Very good rejection, 50 dB typical
- Small size 2.0 mm x 1.25 mm
- Excellent Power handling, 4W
- Ceramic construction

Product Overview

HFCG-2000+ is a high pass filter with passband from 2100 MHz to 10000 MHz supporting a variety of applications. This model provides 0.9 dB typical insertion loss over a wide band due to strategically constructed layout. Housed in a tiny 0805 ceramic form factor with wraparound terminations, the filter is ideal for dense PCB layouts with minimal performance variation due to parasitics.

Key Features

Feature	Advantages
Small size, 2.0 mm x 1.25 mm	Accommodates tight space requirements for dense PCB layouts.
Wrap around termination	Provides excellent solderability and easy visual inspection capability.
LTCC construction	Provides a rugged package that is well suited for tough environments including high humidity and high temperature extremes.
Ultra-wide pass band	This filter has a very wide passband from 2.1 GHz to 10 GHz.

Notes

- A. Performance and quality attributes and conditions not expressly stated in this specification document are intended to be excluded and do not form a part of this specification document.
B. Electrical specifications and performance data contained in this specification document are based on Mini-Circuit's applicable established test performance criteria and measurement instructions.
C. The parts covered by this specification document are subject to Mini-Circuits standard limited warranty and terms and conditions (collectively, "Standard Terms"); Purchasers of this part are entitled to the rights and benefits contained therein. For a full statement of the Standard Terms and the exclusive rights and remedies thereunder, please visit Mini-Circuits' website at www.minicircuits.com/MCLStore/terms.jsp



Ceramic High Pass Filter

50Ω 2100 to 10000 MHz

HFCG-2000+



Generic photo used for illustration purposes only
CASE STYLE: GE0805C-9

+RoHS Compliant
The +Suffix identifies RoHS Compliance. See our web site for RoHS Compliance methodologies and qualifications

Features

- Low insertion loss, 0.9 dB typ.
- Very good rejection, 50 dB typ.
- Small size 2.0 mm x 1.25 mm
- Temperature stable
- LTCC construction

Applications

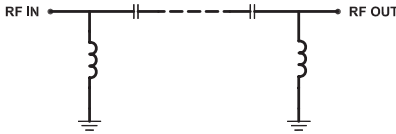
- Test and measurements
- Military applications
- Telecommunications and broadband wireless systems
- 5G Sub 6 GHz
- WiFi 6E and X-band Radar

Electrical Specifications^(1,2) at 25°C

Parameter		F#	Frequency (MHz)	Min.	Typ.	Max.	Unit
Stop Band	Rejection Loss	DC-F1	DC - 1100	42	50	-	dB
		F1-F2	1100 - 1530	20	27	-	dB
	Freq. Cut-Off	F3	1930	-	3.0	-	dB
Pass Band	Insertion Loss	F4-F5	2100 - 2300	-	1.7	-	dB
		F5-F6	2300 - 2800	-	1.4	1.8	dB
		F6-F7	2800 - 10000	-	0.9	1.3	dB
	Return loss	F4-F7	2100 - 10000	-	14	-	dB

1 This component is not intended to act as a DC block. Please consult with Mini-Circuits for further details
2 Measured on Mini-Circuits Characterization Test Board TB-HFCG-2000+

Functional Schematic



Maximum Ratings

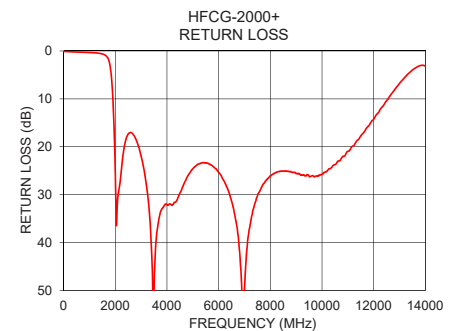
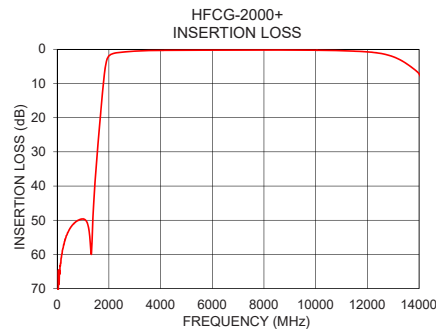
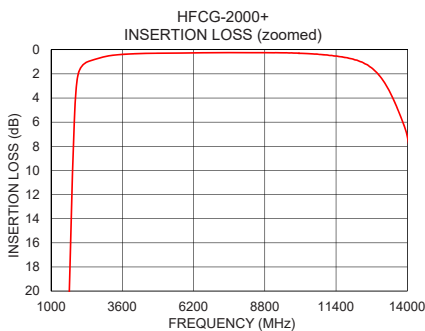
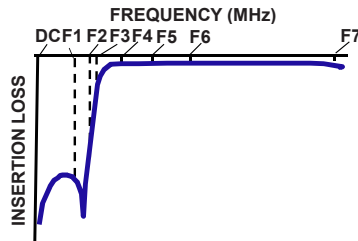
Operating Temperature	-55°C to 125°C
Storage Temperature	-55°C to 125°C
RF Power Input*	4W @ 25°C

*Passband rating, derate linearly to 0.9W at 125°C ambient
Permanent damage may occur if any of these limits are exceeded.

Typical Performance Data at 25°C

Frequency (MHz)	Insertion Loss (dB)	Return Loss (dB)
10	70.24	0.11
100	65.72	0.11
500	52.32	0.22
1000	49.64	0.32
1100	50.00	0.35
1400	46.80	0.50
1530	32.18	0.67
1660	20.51	1.09
1750	12.91	1.96
1900	3.70	9.35
1930	2.89	12.78
2000	1.94	25.29
2100	1.43	30.41
2300	1.03	21.70
2800	0.66	18.46
3000	0.55	21.95
5000	0.29	24.58
8000	0.24	26.03
10000	0.28	25.76
14000	7.18	3.17

Typical Frequency Response



Notes

- A. Performance and quality attributes and conditions not expressly stated in this specification document are intended to be excluded and do not form a part of this specification document.
B. Electrical specifications and performance data contained in this specification document are based on Mini-Circuit's applicable established test performance criteria and measurement instructions.
C. The parts covered by this specification document are subject to Mini-Circuits standard limited warranty and terms and conditions (collectively, "Standard Terms"); Purchasers of this part are entitled to the rights and benefits contained therein. For a full statement of the Standard Terms and the exclusive rights and remedies thereunder, please visit Mini-Circuits' website at www.minicircuits.com/MCLStore/terms.jsp



www.minicircuits.com P.O. Box 350166, Brooklyn, NY 11235-0003 (718) 934-4500 sales@minicircuits.com

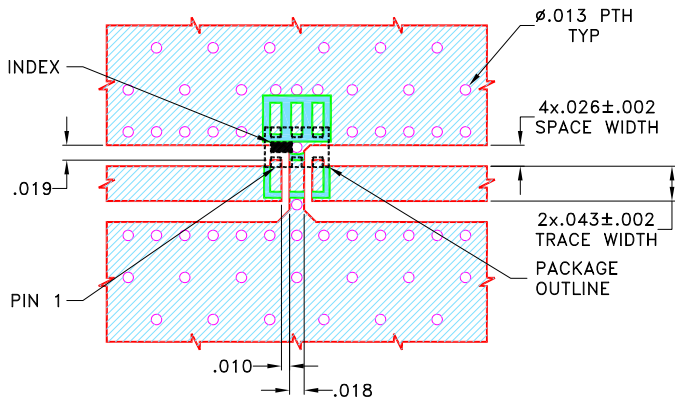
REV A
ECO-007187
HFCG-2000+
EDU3746
URJ
210402
Page 2 of 3

Pad Connections

INPUT	1
OUTPUT	3
GROUND	2, 4, 5, 6

Product Marking: NF

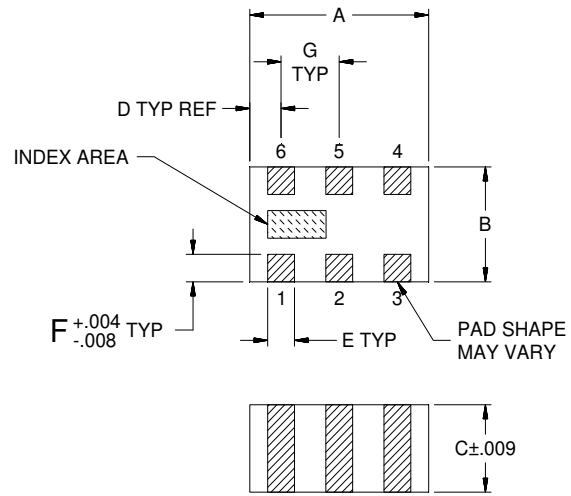
Demo Board MCL P/N: TB-HFCG-2000+
Suggested PCB Layout (PL-633)



NOTES:

1. COPLANAR WAVEGUIDE PARAMETERS ARE SHOWN FOR ROGERS (R04350B) WITH DIELECTRIC THICKNESS .020±.0015. COPPER: 1/2 Oz. EACH SIDE. FOR OTHER MATERIALS TRACE WIDTH AND GAP MAY NEED TO BE MODIFIED.
 2. BOTTOM SIDE OF THE PCB IS CONTINUOUS GROUND PLANE.
- DENOTES PCB COPPER PATTERN WITH SMOBC (SOLDER MASK OVER BARE COPPER)
■ DENOTES PCB COPPER PATTERN FREE OF SOLDERMASK

Outline Drawing



Outline Dimensions (inch mm)

A	B	C	D	E	F	G	Wt.
.079	.049	.037	.014	.012	.012	.026	grams
2.00	1.25	0.95	0.35	0.30	0.30	0.65	.008

Note: Please refer to case style drawing for details.

Notes

- A. Performance and quality attributes and conditions not expressly stated in this specification document are intended to be excluded and do not form a part of this specification document.
 B. Electrical specifications and performance data contained in this specification document are based on Mini-Circuit's applicable established test performance criteria and measurement instructions.
 C. The parts covered by this specification document are subject to Mini-Circuits standard limited warranty and terms and conditions (collectively, "Standard Terms"); Purchasers of this part are entitled to the rights and benefits contained therein. For a full statement of the Standard Terms and the exclusive rights and remedies thereunder, please visit Mini-Circuits' website at www.minicircuits.com/MCLStore/terms.jsp

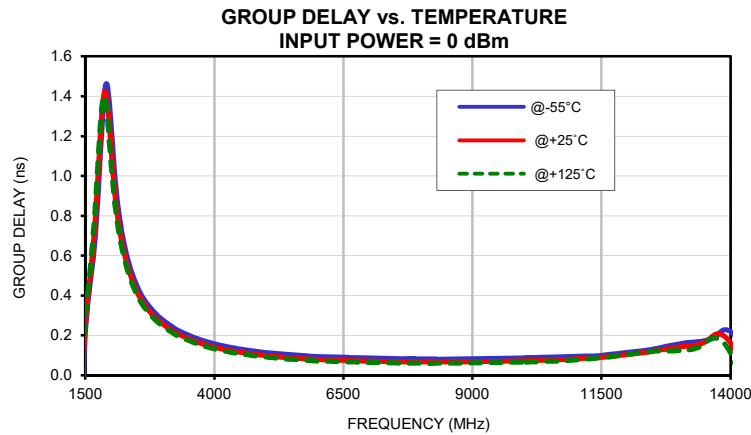
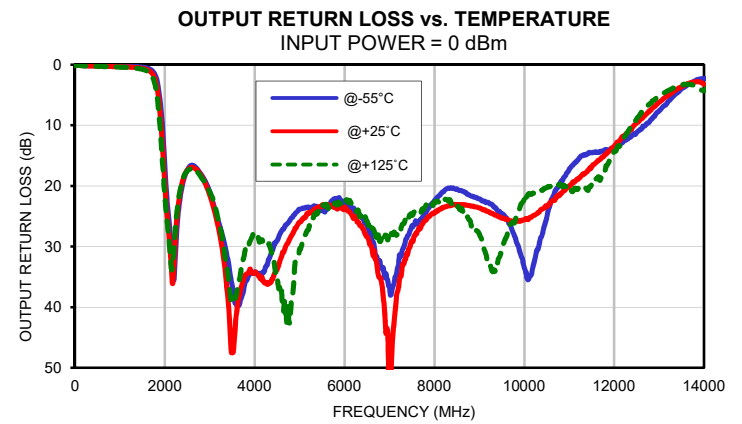
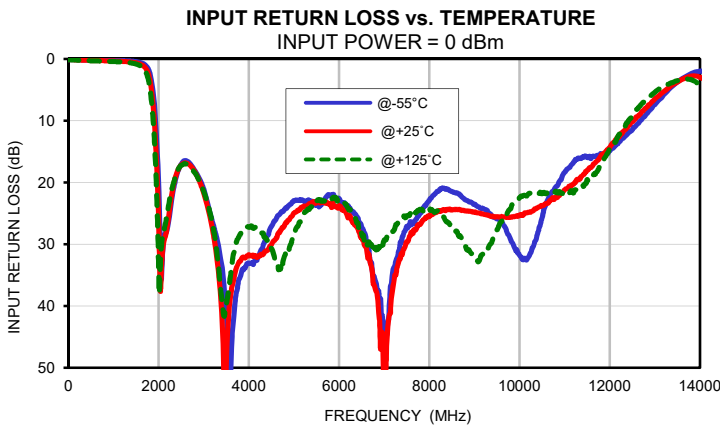
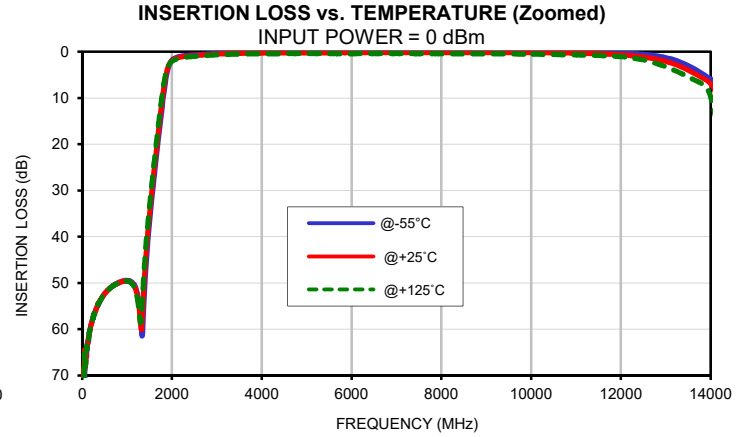
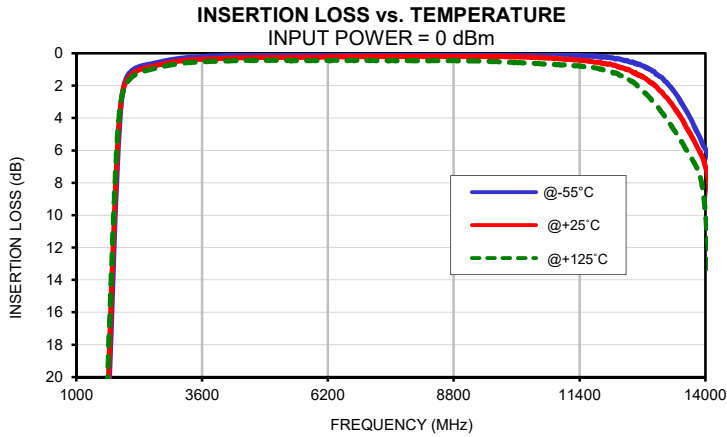
Typical Performance Data

FREQ. (MHz)	INSERTION LOSS			INPUT RETURN LOSS			OUTPUT RETURN LOSS		
	(dB)			(dB)			(dB)		
	@-55°C	@+25°C	@+125°C	@-55°C	@+25°C	@+125°C	@-55°C	@+25°C	@+125°C
10	69.86	68.92	79.17	0.09	0.11	0.13	0.10	0.12	0.16
20	76.46	75.43	77.54	0.09	0.11	0.12	0.10	0.12	0.13
80	65.57	67.52	67.47	0.08	0.11	0.13	0.10	0.13	0.13
100	65.78	64.28	63.59	0.09	0.12	0.14	0.11	0.13	0.13
200	59.06	59.04	58.68	0.12	0.15	0.19	0.15	0.18	0.21
300	55.82	55.99	55.99	0.14	0.18	0.23	0.17	0.22	0.25
400	53.79	53.68	53.86	0.16	0.21	0.26	0.19	0.24	0.25
500	52.33	52.31	52.31	0.17	0.23	0.29	0.20	0.26	0.29
600	51.31	51.32	51.33	0.18	0.25	0.31	0.21	0.28	0.31
700	50.50	50.58	50.58	0.19	0.27	0.34	0.22	0.30	0.34
800	50.01	50.06	49.99	0.21	0.29	0.36	0.23	0.32	0.35
900	49.60	49.72	49.73	0.22	0.30	0.39	0.24	0.33	0.39
1000	49.49	49.60	49.60	0.23	0.33	0.42	0.26	0.35	0.42
1050	49.52	49.69	49.74	0.24	0.34	0.44	0.26	0.37	0.43
1100	49.78	49.96	50.08	0.25	0.35	0.45	0.27	0.38	0.45
1150	50.25	50.56	50.72	0.26	0.37	0.47	0.28	0.39	0.48
1200	51.22	51.71	52.10	0.27	0.39	0.49	0.29	0.41	0.49
1300	57.36	58.89	58.66	0.30	0.44	0.56	0.32	0.46	0.57
1350	60.01	55.52	52.00	0.32	0.47	0.60	0.33	0.49	0.61
1400	49.68	46.82	44.42	0.34	0.51	0.66	0.36	0.52	0.65
1500	36.97	35.11	33.39	0.43	0.63	0.82	0.43	0.63	0.78
1530	33.96	32.19	30.55	0.47	0.68	0.88	0.47	0.68	0.84
1600	27.47	25.79	24.24	0.59	0.85	1.11	0.57	0.83	1.07
1650	23.07	21.41	19.88	0.72	1.05	1.39	0.69	1.01	1.34
1700	18.76	17.11	15.66	0.94	1.37	1.84	0.90	1.31	1.77
1930	3.08	2.89	2.88	9.56	12.78	16.33	8.76	11.51	14.12
2000	1.80	1.93	2.10	19.86	25.51	33.52	16.68	19.84	21.82
2100	1.22	1.42	1.62	30.31	30.34	28.41	26.37	28.84	29.62
2200	0.97	1.17	1.36	27.33	26.80	24.70	35.55	33.13	30.51
2300	0.83	1.02	1.20	22.39	21.63	21.01	24.28	22.98	22.48
2400	0.74	0.93	1.10	18.88	18.55	18.46	19.50	19.04	18.96
2500	0.68	0.86	1.02	17.01	17.16	17.23	17.29	17.40	17.50
2600	0.62	0.79	0.95	16.46	16.84	16.99	16.60	16.96	17.06
2700	0.55	0.72	0.88	16.98	17.23	17.55	17.05	17.29	17.40
2800	0.49	0.65	0.81	18.04	18.22	18.39	18.05	18.21	18.48
2900	0.43	0.59	0.75	19.28	19.69	19.73	19.25	19.62	19.64
3000	0.38	0.54	0.70	21.08	21.69	21.42	21.01	21.54	21.05
3100	0.33	0.49	0.65	23.73	24.29	23.72	23.48	24.00	22.94
3200	0.30	0.46	0.61	26.53	27.75	26.90	26.06	27.20	26.05
3300	0.27	0.43	0.58	29.33	32.50	31.80	28.70	31.51	29.48
3400	0.25	0.41	0.56	33.30	40.63	38.87	32.06	38.05	34.51
3500	0.23	0.39	0.54	40.95	49.78	39.82	36.46	47.50	39.35
3600	0.21	0.37	0.52	51.13	38.31	34.88	39.71	40.77	37.53
3800	0.18	0.34	0.50	35.51	32.77	28.47	35.49	34.60	30.24
4000	0.15	0.31	0.48	33.06	31.72	27.27	34.17	34.24	27.96
4200	0.13	0.30	0.47	32.17	32.04	27.88	34.25	35.79	29.54
4400	0.11	0.28	0.46	28.80	31.04	29.31	30.57	35.36	31.21
4600	0.11	0.27	0.45	25.98	29.10	32.91	27.42	31.58	37.72
4800	0.09	0.26	0.43	24.33	26.80	31.81	25.47	28.40	40.69
5000	0.08	0.25	0.45	22.94	24.94	28.72	23.85	25.98	30.37
5200	0.07	0.26	0.44	22.89	23.99	25.67	23.50	24.39	27.09
5400	0.06	0.26	0.45	23.07	23.34	23.90	23.52	23.56	24.49
6000	0.05	0.25	0.46	22.58	23.74	22.83	22.56	23.48	22.24
6500	0.00	0.21	0.44	27.13	28.90	28.25	26.58	28.38	25.81
7000	0.02	0.19	0.44	46.67	53.88	29.36	36.69	58.69	27.72
7500	0.03	0.20	0.45	27.11	29.61	25.40	26.58	29.04	24.85
8000	0.04	0.20	0.46	22.92	25.54	24.68	22.41	24.49	22.69
9000	0.07	0.19	0.47	23.53	24.83	32.39	22.15	23.65	27.99
9500	0.08	0.20	0.50	25.90	25.55	27.68	24.59	25.32	30.40
10000	0.09	0.21	0.56	31.79	25.29	22.48	33.48	25.57	22.21

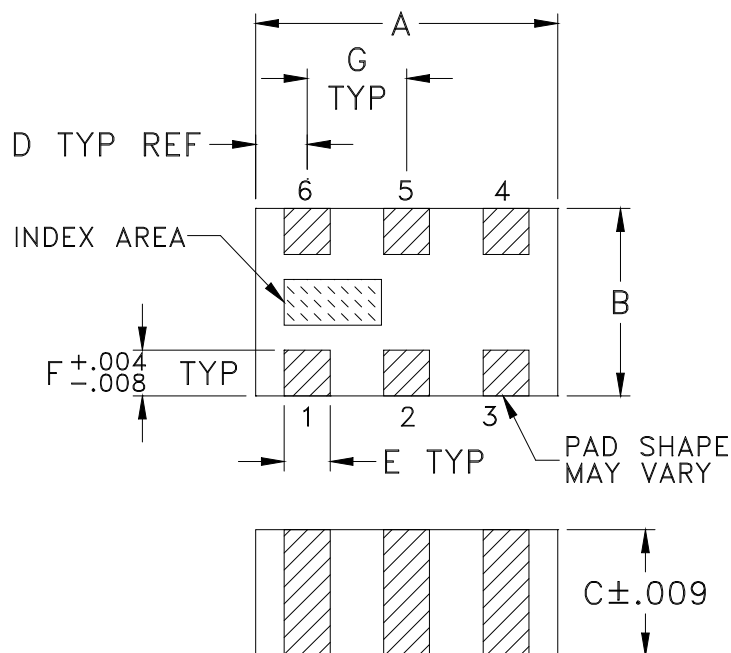
Typical Performance Data

FREQ. (MHz)	GROUP DELAY		
	(nsec)		
	@-55°C	@+25°C	@+125°C
2100	0.92	0.84	0.80
2300	0.60	0.56	0.54
2500	0.45	0.42	0.40
2700	0.36	0.33	0.32
2900	0.30	0.28	0.27
3100	0.26	0.24	0.23
3300	0.22	0.21	0.20
3500	0.20	0.18	0.17
3700	0.18	0.16	0.15
3900	0.16	0.15	0.14
4100	0.15	0.13	0.13
4300	0.14	0.12	0.12
4500	0.13	0.12	0.11
4700	0.12	0.11	0.10
4900	0.12	0.10	0.09
5100	0.11	0.10	0.09
5300	0.11	0.09	0.08
5500	0.10	0.09	0.08
5700	0.10	0.08	0.08
5900	0.09	0.08	0.07
6100	0.09	0.08	0.07
6300	0.09	0.08	0.07
6500	0.09	0.07	0.07
6700	0.09	0.07	0.07
6900	0.09	0.07	0.06
7100	0.09	0.07	0.06
7300	0.08	0.07	0.06
7500	0.08	0.07	0.06
7700	0.08	0.07	0.06
7900	0.08	0.07	0.06
8100	0.08	0.07	0.06
8300	0.08	0.07	0.06
8500	0.08	0.07	0.06
8700	0.08	0.07	0.06
8900	0.08	0.07	0.06
9100	0.08	0.07	0.06
9300	0.08	0.07	0.06
9500	0.08	0.07	0.06
9700	0.09	0.07	0.07
9900	0.09	0.07	0.07
10000	0.09	0.07	0.07

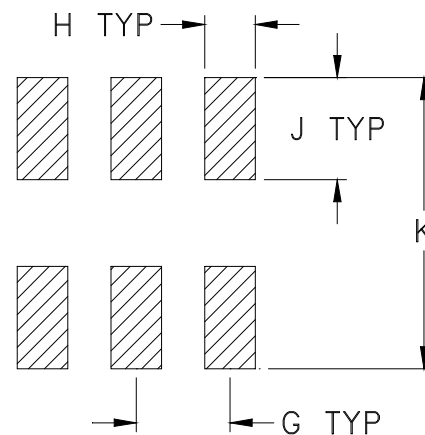
Typical Performance Curves



Outline Dimensions



PCB Land Pattern



Suggested Layout,
Tolerance to be within $\pm .002$

CASE #	A	B	C	D	E	F	G	H	J	K	WT.GRAM
GE0805C-9	.079 (2.00)	.049 (1.25)	.037 (0.95)	.014 (0.35)	.012 (0.30)	.012 (0.30)	.026 (0.65)	.014 (0.35)	.039 (1.00)	.110 (2.80)	.008

Dimensions are in inches (mm). Tolerances: 2Pl. $\pm .01$; 3 Pl. $\pm .005$

Notes:

- Open style, ceramic base.
- Termination finish: For RoHS Case Styles: Tin plate over Nickel plate. All models, (+) suffix.
For RoHS-5 Case Styles: Tin-Lead plate over Nickel plate. All models, no (+) suffix.



P.O. Box 350166, Brooklyn, New York 11235-0003 (718) 934-4500 Fax (718) 332-4661 For detailed performance specs & shopping online see Mini-Circuits web site



The Design Engineers Search Engine Provides ACTUAL Data Instantly From MINI-CIRCUITS At: www.minicircuits.com

RF/IF MICROWAVE COMPONENTS

Tape & Reel Packaging TR-F114

DEVICE ORIENTATION IN T&R



ILLUSTRATION 1

Applicable Case Styles	
GE0805C	JC0603C
GE0805C-1	JC0603C-4
GE0805C-1AP	JC0603C-6
GE0805C-7	
GE0805C-9	
GE0805C-10	
GE0805C-11	
GE0805C-12	



ILLUSTRATION 2

Applicable Case Styles	
GE0805C-2	JC0603C-1
GE0805C-3	JC0603C-2
GE0805C-4	JC0603C-3
GE0805C-5	JC0603C-5
GE0805C-6	JC0603C-7
GE0805C-8	
GE0805C-15	

Tape Width, mm	Device Cavity Pitch, mm	Reel Size, inches	Devices per Reel	
8	4	7	Small quantity standards (see note)	20
				50
				100
				200
				500
				1000
			Standard	4000

Note: Please Consult individual model data sheet to determine device per reel availability.

Mini-Circuits carrier tape materials provide protection from ESD (Electro-Static Discharge) during handling and transportation. Tapes are static dissipative and comply with industry standards EIA-481/EIA-541.

Go to: www.minicircuits.com/pages/pdfs/tape.pdf



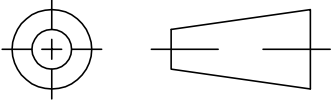
INTERNET <http://www.minicircuits.com>

P.O. Box 350166, Brooklyn, New York 11235-0003 (718) 934-4500 Fax (718) 332-4661

Distribution Centers NORTH AMERICA 800-654-7949 • 417-335-5935 • Fax 417-335-5945 • EUROPE 44-1252-832600 • Fax 44-1252-837010

Mini-Circuits ISO 9001 & ISO 14001 Certified

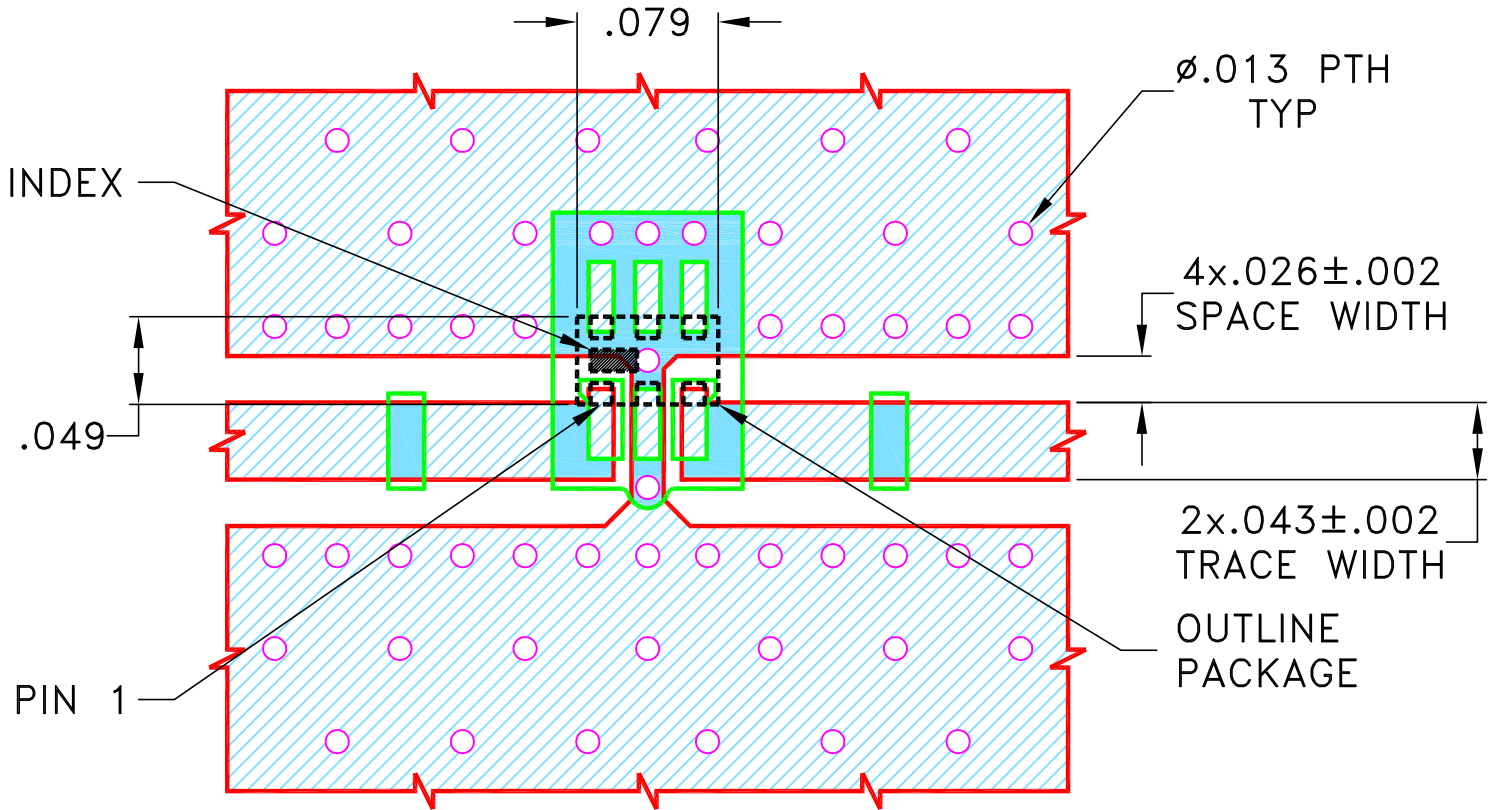
THIRD ANGLE PROJECTION



REVISIONS


REV OR	ECN No.	DESCRIPTION	DATE	DR	AUTH
	M174039	NEW RELEASE	MAY 19	DDR	VC

SUGGESTED MOUNTING CONFIGURATION FOR
GE0805C-9 CASE STYLE "06FL02" PIN CODE



NOTES:

1. TRACE WIDTH IS SHOWN FOR ROGERS (R04350B) WITH DIELECTRIC THICKNESS .020"±.0015". COPPER: 1/2 Oz. EACH SIDE.
FOR OTHER MATERIALS TRACE WIDTH MAY NEED TO BE MODIFIED.
2. BOTTOM SIDE OF THE PCB IS CONTINUOUS GROUND PLANE.

 DENOTES PCB COPPER LAYOUT WITH SMOBC
(SOLDER MASK OVER BARE COPPER)

 DENOTES COPPER LAND PATTERN FREE OF SOLDERMASK

UNLESS OTHERWISE SPECIFIED	INITIALS	DATE
DIMENSIONS ARE IN INCHES	DRAWN DDR	08 MAY 19
TOLERANCES ON:	CHECKED RV	08 MAY 19
2 PL DECIMALS ±	APPROVED RKS	08 MAY 19
3 PL DECIMALS ± .005"		
ANGLES ±		
FRACTIONS ±		



Mini-Circuits® 13 Neptune Avenue
Brooklyn NY 11235

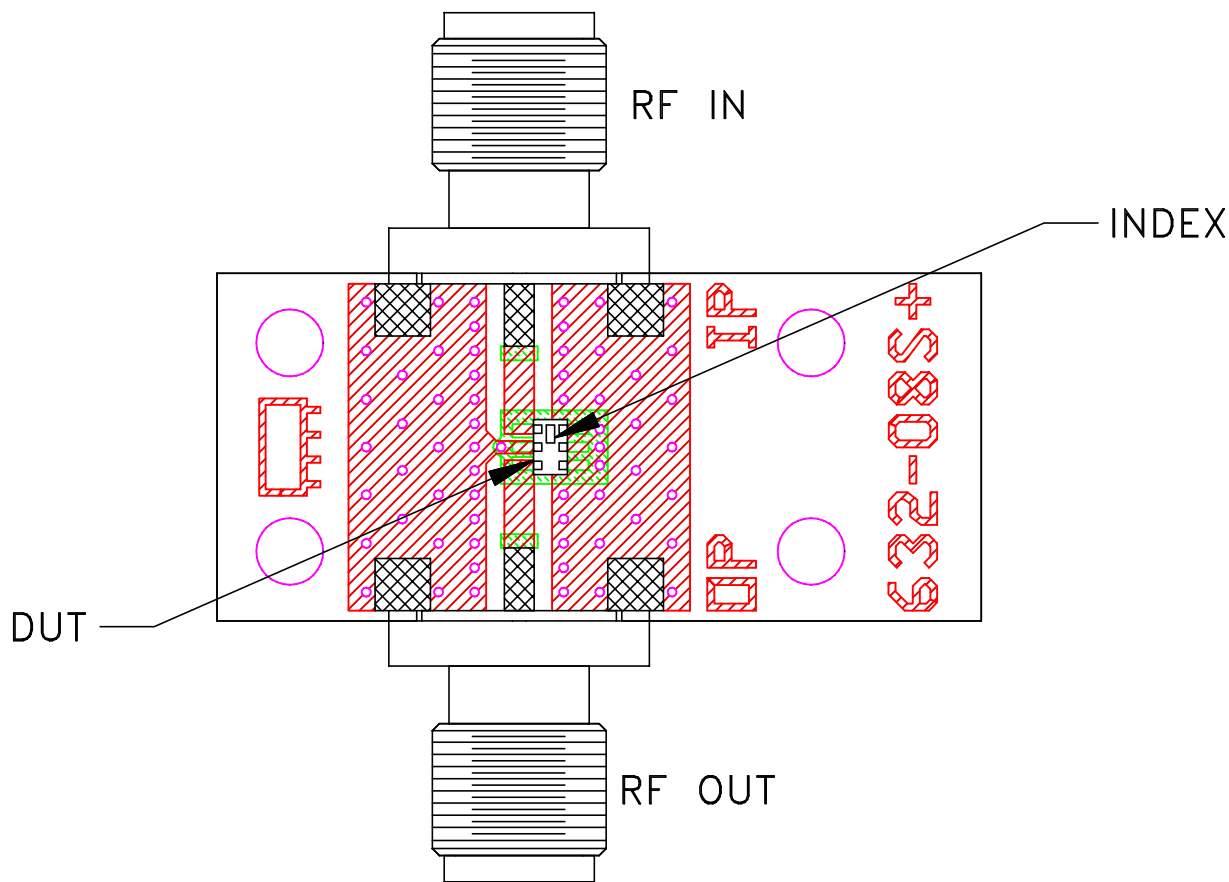
PL, 06FL02, GE0805C-9
TB-1104+, 50 OHM

SIZE A	CODE IDENT 15542	DRAWING NO: 98-PL-633	REV: OR
FILE: 98PL633	SCALE: 9:1	SHEET: 1 OF 1	

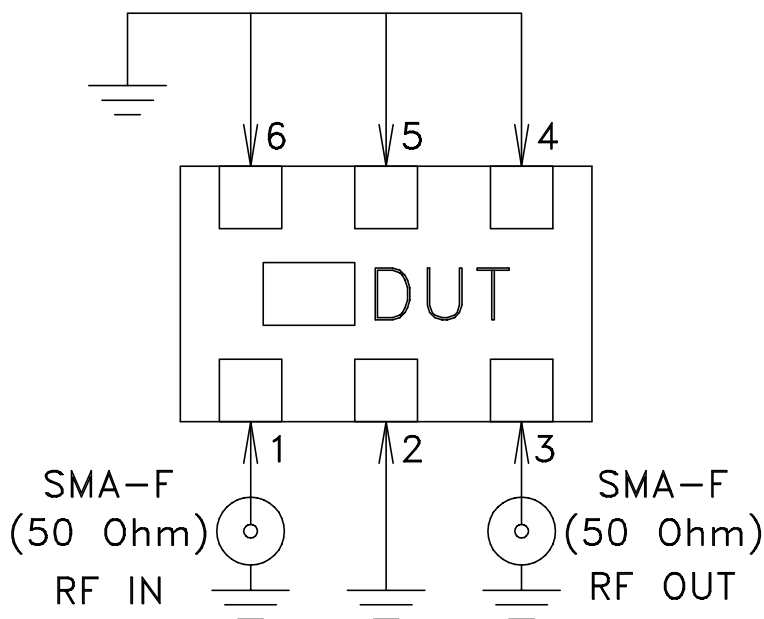
THIS DOCUMENT AND ITS CONTENTS ARE THE PROPERTY OF MINI-CIRCUITS. EXCEPT FOR USE EXPRESSLY GRANTED, IN WRITING, TO ITS VENDORS, VENDEE AND THE UNITED STATES GOVERNMENT, MINI-CIRCUITS RESERVES ALL PROPRIETARY DESIGN, USE, MANUFACTURING AND REPRODUCTION RIGHTS THERETO. THESE CONTENTS SHALL NOT BE USED, DUPLICATED OR DISCLOSED TO ANY OUTSIDE PARTY, IN WHOLE OR IN PART, WITHOUT WRITTEN PERMISSION OF MINI-CIRCUITS.

Evaluation Board and Circuit

TB-1104+




Schematic diagram



Notes:

1. 50 Ohm SMA Female connectors.
2. PCB Material: ROGERS (RO4350B), OR Equivalent
Dielectric Constant=3.48, Thickness=.020inch.

 **Mini-Circuits®**

All Mini-Circuits products are manufactured under exacting quality assurance and control standards, and are capable of meeting published specifications after being subjected to any or all of the following physical and environmental test.

Specification	Test/Inspection Condition	Reference/Spec
Operating Temperature	-55° to 100°C Ambient Environment	Individual Model Data Sheet
Storage Temperature	-55° to 100° C Ambient Environment	Individual Model Data Sheet
Humidity	90 to 95% RH, 240 hours, 50°C	MIL-STD-202, Method 103, Condition A, Except 50°C and end-point electrical test done within 12 hours
Solder Reflow Heat	Sn-Pb Eutetic Process: 225°C peak Pb-Free Process 245° - 250°C peak	J-STD-020, Table 4-1, 4-2 and 5-2, Figure 5-1
Solderability	10X Magnification	J-STD-002, Para 4.2.5, Test S, 95% Coverage
Vibration (High Frequency)	20g peak, 10-2000 Hz, 12 times in each of three perpendicular directions (total 36)	MIL-STD-202, Method 204, Condition D
Mechanical Shock	50g, 11 ms, 1/2-sine, 18 shocks: 3 each direction, each of 3 axes	MIL-STD-202, Method 213, Condition A