



CERAMIC

Low Pass Filter

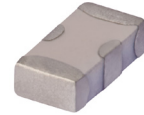
LFCN-105+

Mini-Circuits

50Ω DC¹ to 105 MHz

FEATURES

- Excellent power handling, 8.5W
- Small size
- 7 sections
- Temperature stable
- LTCC construction
- Protected by U.S Patent 6,943,646



Generic photo used for illustration purposes only

CASE STYLE: FV1206

+RoHS Compliant

The +Suffix identifies RoHS Compliance. See our website for methodologies and qualifications

APPLICATIONS

- Harmonic rejection
- VHF/UHF transmitters/receivers
- Anti-aliasing for A/D converter

ELECTRICAL SPECIFICATIONS^{1,2} AT 25°C

Parameter	F#	Frequency (MHz)	Min.	Typ.	Max.	Units	
Passband	Insertion Loss	DC-F1	DC-105	—	—	1.0	dB
	Freq. Cut-Off	F2	180	—	3.0	—	dB
	VSWR	DC-F1	DC-105	—	1.2	—	:1
Stop Band	Rejection Loss	F3	250	20	—	—	dB
		F4-F5	265-1650	—	40	—	
	VSWR	F6	4750	—	20	—	:1
		F3-F6	250-4750	—	20	—	

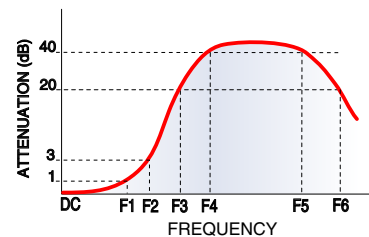
1. In Application where DC voltage is present at either input or output ports, coupling capacitors are required.
 2. Measured on Mini-Circuits Characterization Test Board TB-270.

MAXIMUM RATINGS

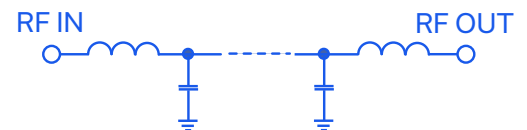
Parameter	Ratings
Operating temperature	-55°C to 100°C
Storage temperature	-55°C to 100°C
RF Power Input ³	8.5 W max. at 25°C

3. Passband rating, derate linearly to 3.5W at 100°C ambient. Permanent damage may occur if any of these limits are exceeded.

TYPICAL FREQUENCY RESPONSE



FUNCTIONAL SCHEMATIC



REV. N
 ECO-013679
 LFCN-105+
 RVN/AD/CP/AM
 230914





CERAMIC

Low Pass Filter

LFCN-105+

Mini-Circuits

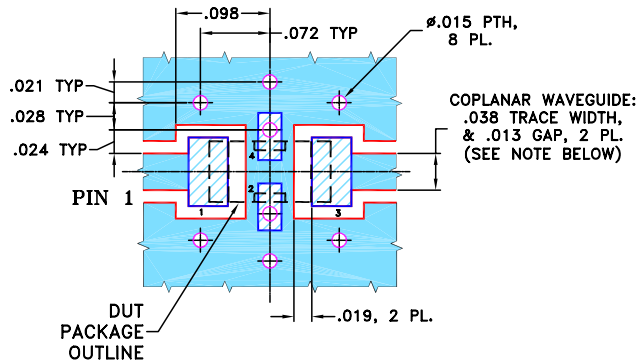
50Ω DC¹ to 105 MHz

PIN CONNECTIONS

RF IN	1
RF OUT	3
GROUND	2,4

PRODUCT MARKING: RE

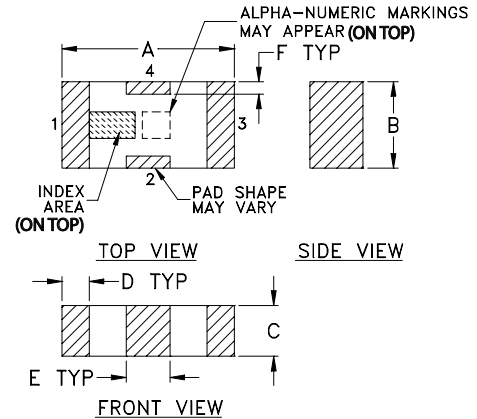
DEMO BOARD MCL P/N: TB-270
SUGGESTED PCB LAYOUT (PL-137)



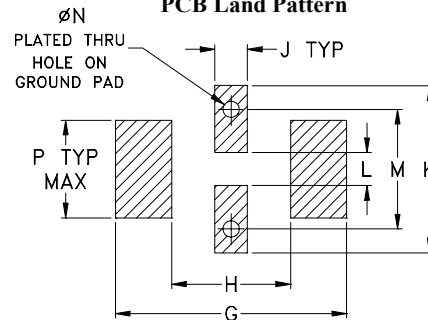
- NOTES:**
1. COPLANAR WAVEGUIDE PARAMETERS ARE SHOWN FOR ROGERS RO4350B WITH THICKNESS .020" ± .0015". COPPER: 1/2 OZ. EACH SIDE. FOR OTHER MATERIALS TRACE WIDTH & GAP MAY NEED TO BE MODIFIED.
 2. BOTTOM SIDE OF THE PCB IS CONTINUOUS GROUND PLANE.

- DENOTES PCB COPPER LAYOUT WITH SMOBC (SOLDER MASK OVER BARE COPPER)
- DENOTES COPPER LAND PATTERN FREE OF SOLDER MASK

OUTLINE DRAWING



PCB Land Pattern



Suggested Layout,
Tolerance to be within ±.002

OUTLINE DIMENSIONS (Inches mm)

A	B	C	D	E	F	G
.126	.063	.037	.020	.032	.009	.169
3.20	1.60	0.94	0.51	0.81	0.23	4.29

H	J	K	L	M	N	P	wt
.087	.024	.122	.024	.087	.012	.071	grams
2.21	0.61	3.10	0.61	2.21	0.30	1.80	.020

TAPE & REEL INFORMATION: F71



CERAMIC

Low Pass Filter

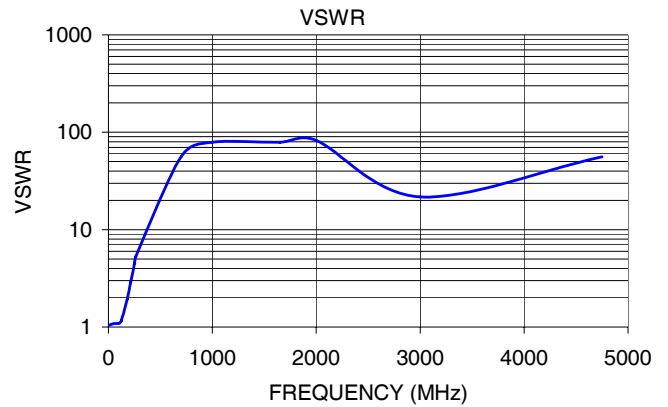
LFCN-105+

Mini-Circuits

50Ω DC¹ to 105 MHz

TYPICAL PERFORMANCE DATA AT 25°C

Frequency (MHz)	Insertion Loss (dB)	VSWR (:1)
1.00	0.17	1.04
50.00	0.44	1.08
100.00	0.73	1.08
105.00	0.78	1.09
125.00	0.98	1.16
180.00	3.08	1.92
215.00	10.55	2.88
250.00	31.43	4.46
265.00	45.61	5.31
700.00	46.98	56.04
1000.00	55.37	78.97
1650.00	51.39	78.97
2000.00	43.21	82.73
3000.00	31.32	21.73
4750.00	25.73	56.04



NOTES

- A. Performance and quality attributes and conditions not expressly stated in this specification document are intended to be excluded and do not form a part of this specification document.
- B. Electrical specifications and performance data contained in this specification document are based on Mini-Circuit's applicable established test performance criteria and measurement instructions.
- C. The parts covered by this specification document are subject to Mini-Circuits standard limited warranty and terms and conditions (collectively, "Standard Terms"); Purchasers of this part are entitled to the rights and benefits contained therein. For a full statement of the standard. Terms and the exclusive rights and remedies thereunder, please visit Mini-Circuits' website at www.minicircuits.com/terms/viewterm.html



Ceramic Low Pass Filter

LFCN-105+

Typical Performance Data

FREQ. (MHz)	INSERTION LOSS (dB)			INPUT RETURN LOSS (dB)			OUTPUT RETURNLOSS (dB)		
	@ -55° C	@ +25° C	@ +100° C	@ -55° C	@ +25° C	@ +100° C	@ -55° C	@ +25° C	@ +100° C
1	0.13	0.17	0.36	35.11	34.14	33.01	35.16	34.14	33.91
20	0.27	0.31	0.37	27.62	26.18	25.04	26.24	25.26	24.35
30	0.31	0.35	0.42	29.62	27.41	25.81	27.47	26.17	25.04
40	0.35	0.39	0.46	30.55	28.14	26.34	28.06	26.72	25.51
50	0.39	0.44	0.51	30.60	28.39	26.58	27.31	26.15	25.08
60	0.43	0.49	0.56	30.46	28.50	26.68	26.72	25.77	24.82
70	0.48	0.54	0.61	30.43	28.64	26.82	26.19	25.40	24.57
80	0.53	0.60	0.67	30.46	28.60	26.79	25.95	25.20	24.42
90	0.59	0.66	0.74	30.63	28.49	26.72	25.82	25.00	24.23
100	0.65	0.73	0.82	30.00	27.80	26.23	25.62	24.67	23.90
105	0.70	0.78	0.87	29.11	27.11	25.74	25.39	24.40	23.65
125	0.89	0.98	1.09	23.15	22.54	22.11	22.38	21.80	21.36
180	2.99	3.08	3.22	9.45	10.00	10.47	7.43	7.72	7.96
195	5.11	5.14	5.26	7.34	7.95	8.49	4.53	4.79	5.03
215	10.72	10.55	10.58	5.69	6.29	6.87	2.17	2.37	2.56
225	15.21	14.86	14.79	5.04	5.61	6.17	1.59	1.76	1.93
235	21.02	20.44	20.21	4.38	4.90	5.42	1.28	1.43	1.57
250	32.43	31.43	30.93	3.52	3.96	4.40	1.07	1.20	1.33
255	36.97	35.88	35.31	3.29	3.72	4.13	1.04	1.16	1.28
265	45.79	45.61	45.57	2.93	3.31	3.69	0.98	1.10	1.21
270	46.67	47.83	49.04	2.78	3.15	3.51	0.96	1.07	1.19
300	37.31	37.74	38.07	2.19	2.49	2.77	0.87	0.97	1.07
330	35.39	35.50	35.63	1.78	2.03	2.28	0.80	0.90	1.00
400	42.63	42.19	41.96	1.12	1.27	1.44	0.67	0.76	0.85
455	56.73	57.30	56.82	0.78	0.89	1.01	0.59	0.67	0.75
500	46.66	47.15	47.59	0.59	0.68	0.78	0.54	0.61	0.69
585	43.81	43.86	44.03	0.40	0.45	0.53	0.44	0.51	0.58
700	47.23	46.98	46.83	0.27	0.31	0.36	0.35	0.40	0.47
800	55.17	54.28	53.51	0.23	0.25	0.30	0.30	0.35	0.42
890	68.27	69.26	68.87	0.21	0.23	0.27	0.26	0.30	0.36
1000	54.45	55.37	56.42	0.19	0.22	0.25	0.22	0.27	0.33
1650	49.30	51.39	52.86	0.17	0.22	0.28	0.25	0.27	0.31
2000	42.90	43.21	43.36	0.15	0.21	0.30	0.17	0.21	0.26
3000	31.00	31.32	31.63	0.62	0.80	0.84	0.21	0.26	0.33
4750	25.08	25.73	26.42	0.17	0.31	0.54	1.23	1.56	2.03
5000	24.40	24.19	24.55	0.29	0.43	0.64	1.02	1.11	1.22
7000	18.55	18.65	18.77	0.73	0.79	0.90	1.22	1.26	1.39
9000	23.40	22.84	22.59	12.33	10.12	8.61	2.18	2.05	2.02
11000	25.51	25.61	25.84	10.88	12.43	14.31	6.26	6.18	6.61
13000	21.99	19.10	17.65	5.14	5.09	5.43	13.40	11.80	8.12
15000	12.05	12.33	12.80	4.23	3.78	3.99	2.35	2.40	2.74

REV. X1
LFCN-105+
070923
Page 1 of 1



IF/RF MICROWAVE COMPONENTS • ISO 9001 ISO 14001 AS 9100 CERTIFIED • RoHS compliant
P.O. Box 350166, Brooklyn, New York 11235-0003 (718) 934-4500 Fax (718) 332-4661



The Design Engineers Search Engine finds the model you need, Instantly • For detailed performance specs & shopping online see

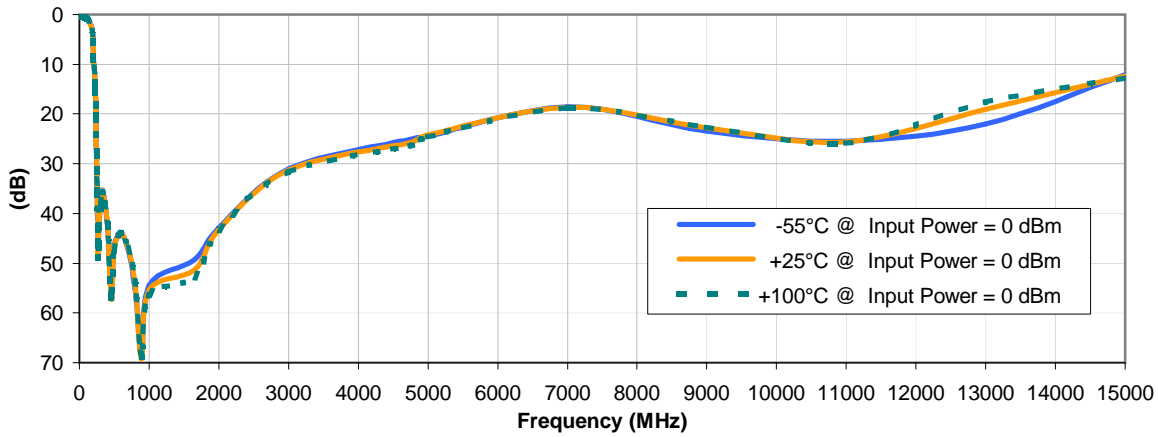


Ceramic Low Pass Filter

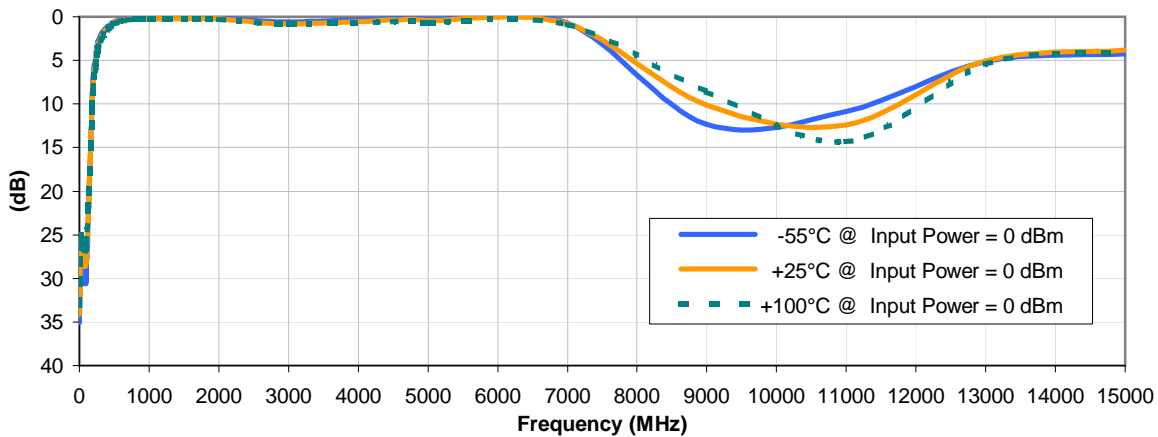
Typical Performance Curves

LFCN-105+

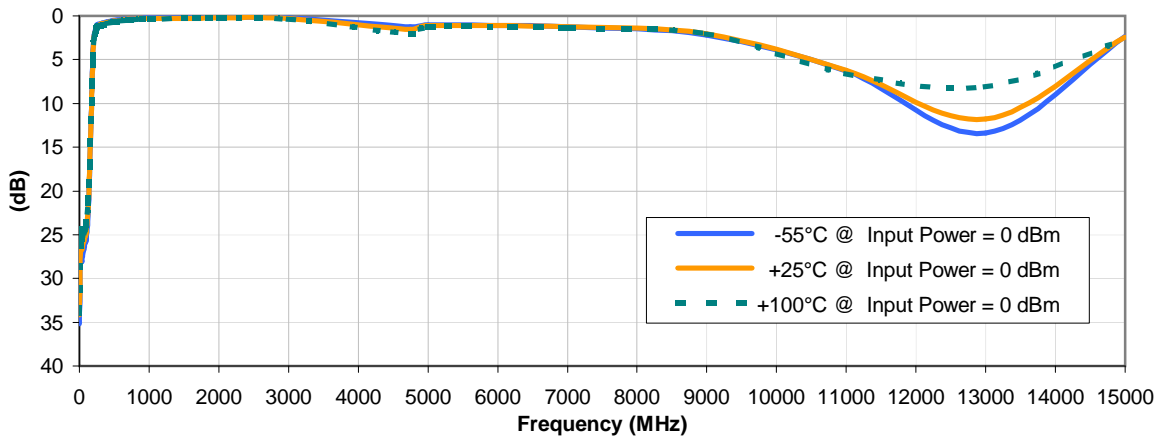
INSERTION LOSS vs. TEMPERATURE



INPUT RETURN LOSS vs. TEMPERATURE



OUTPUT RETURN LOSS vs. TEMPERATURE



REV. X1
LFCN-105+
070923
Page 1 of 1



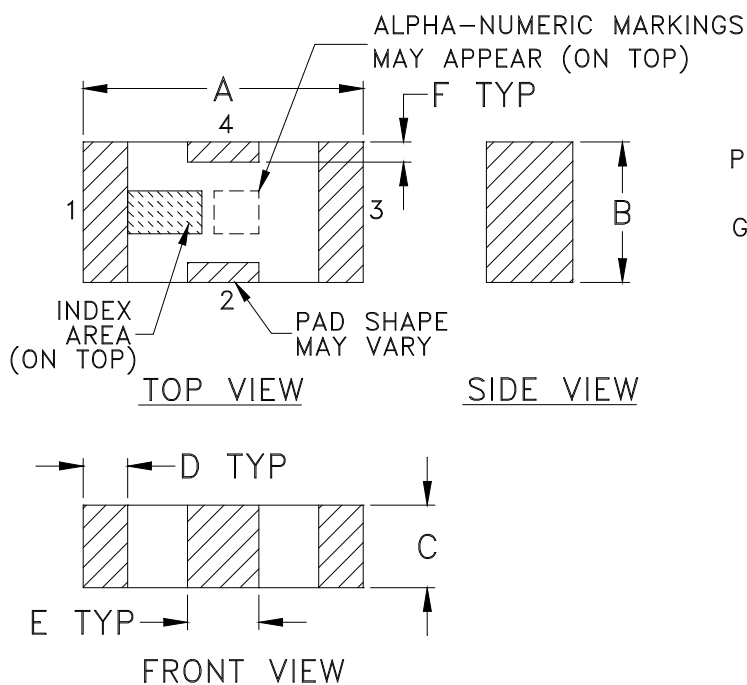
IF/RF MICROWAVE COMPONENTS • ISO 9001 ISO 14001 AS 9100 CERTIFIED • RoHS compliant
P.O. Box 350166, Brooklyn, New York 11235-0003 (718) 934-4500 Fax (718) 332-4661



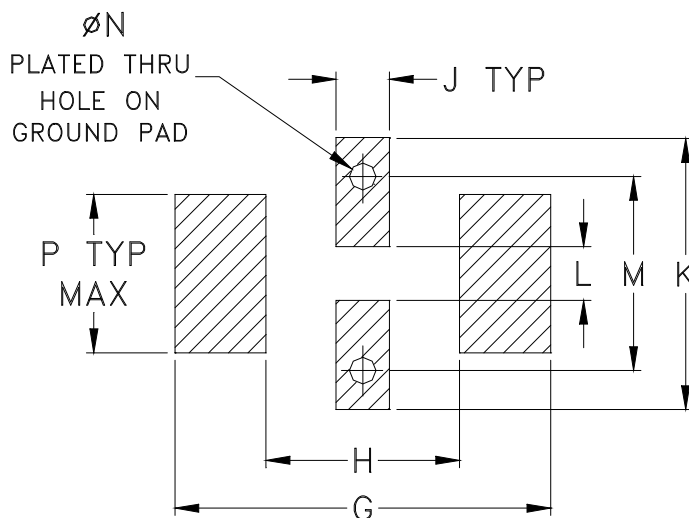
The Design Engineers Search Engine finds the model you need, Instantly • For detailed performance specs & shopping online see



Outline Dimensions



PCB Land Pattern



Suggested Layout,
Tolerance to be within $\pm .002$

CASE #	A	B	C	D	E	F	G	H	J	K	L	M	N	P	WT. GRAM
FV1206	.126 (3.20)	.063 (1.60)	.037 (0.94)	.020 (0.51)	.032 (0.81)	.009 (0.23)	.169 (4.29)	.087 (2.21)	.024 (0.61)	.122 (3.10)	.024 (0.61)	.087 (2.21)	.012 (0.30)	.071 (1.80)	.020

Dimensions are in inches (mm). Tolerances: 2 Pl. $\pm .01$; 3 Pl. $\pm .005$

Notes:

- Open style, ceramic base.
- Termination finish: **as shown below or indicated on Data Sheet.**
For RoHS Case Styles: Tin plate over Nickel plate. All models, (+) suffix.
For RoHS-5 Case Styles: Tin-Lead plate. All models, no (+) suffix.



P.O. Box 350166, Brooklyn, New York 11235-0003 (718) 934-4500 Fax (718) 332-4661 For detailed performance specs & shopping online see Mini-Circuits web site



The Design Engineers Search Engine Provides ACTUAL Data Instantly From MINI-CIRCUITS At: www.minicircuits.com

RF/IF MICROWAVE COMPONENTS

Tape & Reel Packaging TR-F71

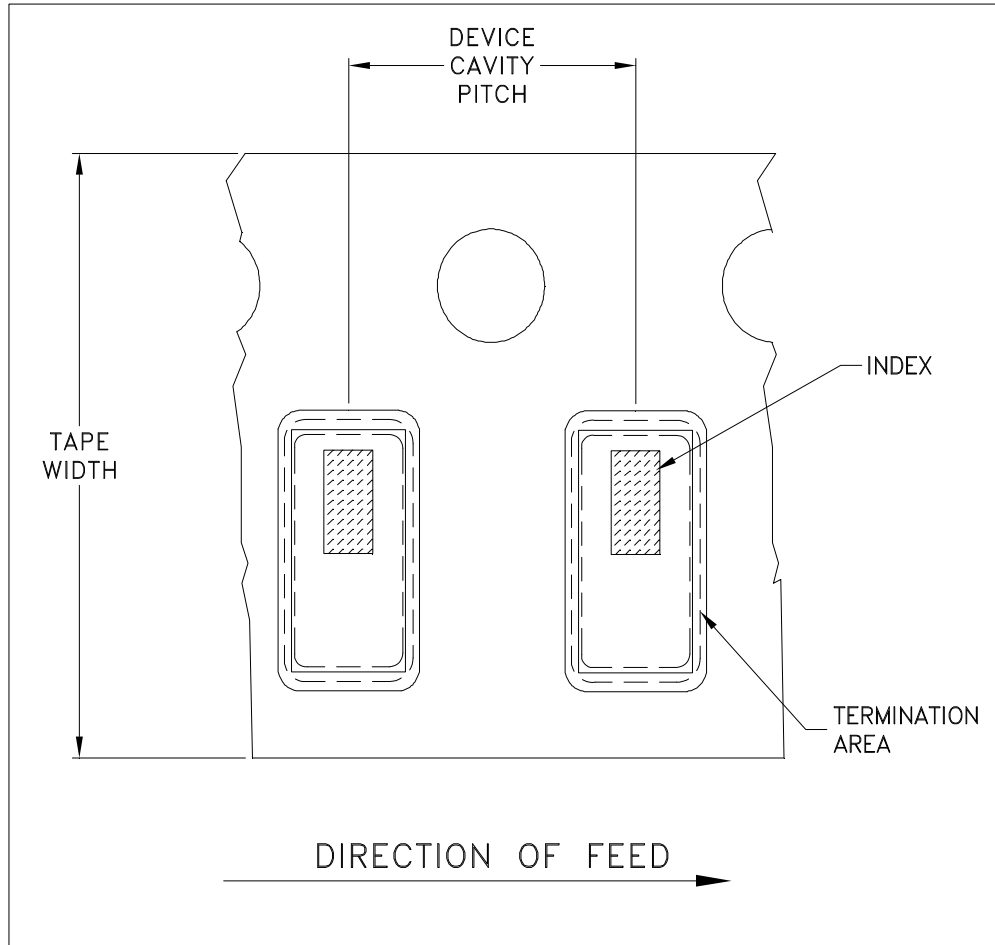


ILLUSTRATION 1

Tape Width, mm	Device Cavity Pitch, mm	Reel Size, inches	Devices per Reel	
8	4	7	Small quantity standards (see note)	20
				50
				100
				200
				500
				1000
			Standard	3000

Note: Please Consult individual model data sheet to determine device per reel availability.

Mini-Circuits carrier tape materials provide protection from ESD (Electro-Static Discharge) during handling and transportation. Tapes are static dissipative and comply with industry standards EIA-481/EIA-541.

Go to: www.minicircuits.com/pages/pdfs/tape.pdf



P.O. Box 350166, Brooklyn, New York 11235-0003 (718) 934-4500 Fax (718) 332-4661 For detailed performance specs & shopping online see Mini-Circuits web site



The Design Engineers Search Engine Provides ACTUAL Data Instantly From MINI-CIRCUITS At: www.minicircuits.com

RF/IF MICROWAVE COMPONENTS

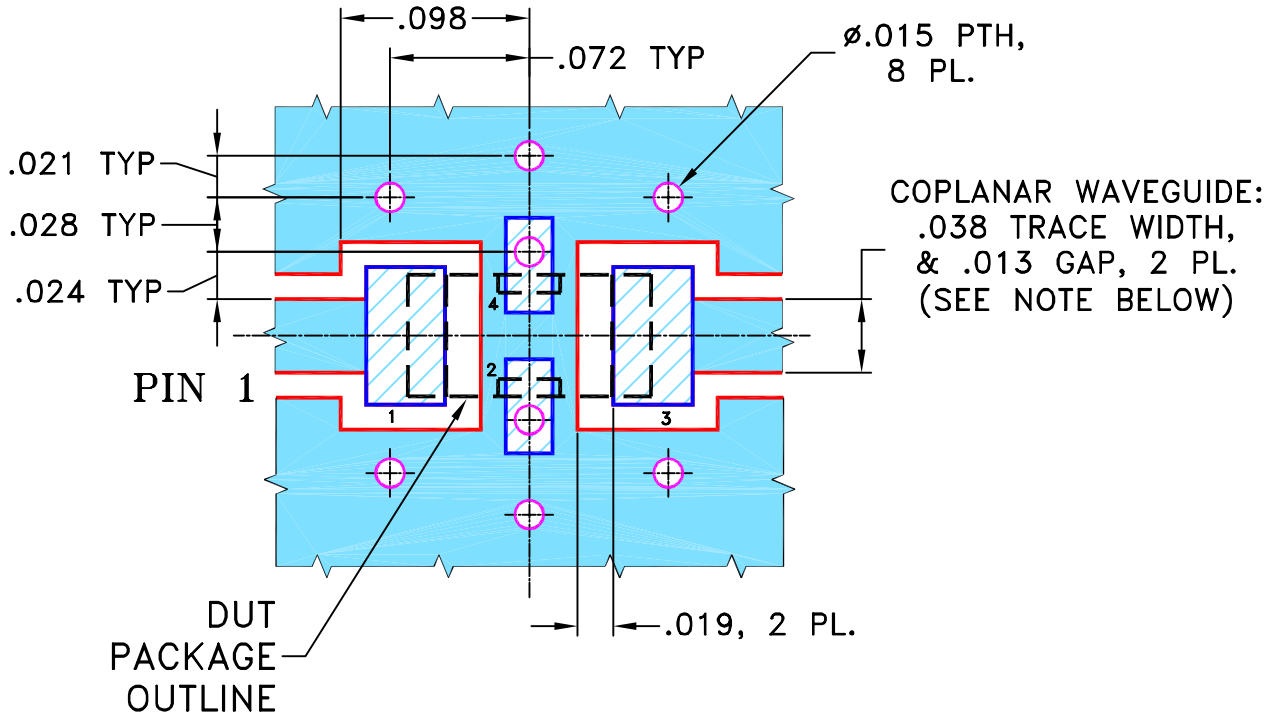
THIRD ANGLE PROJECTION



REVISIONS

REV	ECN No.	DESCRIPTION	DATE	DR	AUTH
OR	M88634	NEW RELEASE	08/28/03	GF	ABD
A	M102713	ADDED "...WITH SMOBC"	01/17/06	MMG	IL

SUGGESTED MOUNTING CONFIGURATION
FOR FV1206 CASE STYLE, "nx" PIN CONNECTION

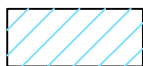


- NOTES:**
1. COPLANAR WAVEGUIDE PARAMETERS ARE SHOWN FOR ROGERS R04350B WITH THICKNESS .020" ± .0015".
 COPPER: 1/2 OZ. EACH SIDE.
 FOR OTHER MATERIALS TRACE WIDTH & GAP MAY NEED TO BE MODIFIED.

2. BOTTOM SIDE OF THE PCB IS CONTINUOUS GROUND PLANE.



DENOTES PCB COPPER LAYOUT WITH SMOBC
 (SOLDER MASK OVER BARE COPPER)



DENOTES COPPER LAND PATTERN FREE OF SOLDER MASK

UNLESS OTHERWISE SPECIFIED	INITIALS	DATE
DIMENSIONS ARE IN INCHES TOLERANCES ON: 2 PL DECIMALS ± 3 PL DECIMALS ± .005 ANGLES ± FRACTIONS ±	DRAWN	GF 08/27/03
	CHECKED	AV 08/28/03
	APPROVED	ABD 08/28/03



Mini-Circuits®

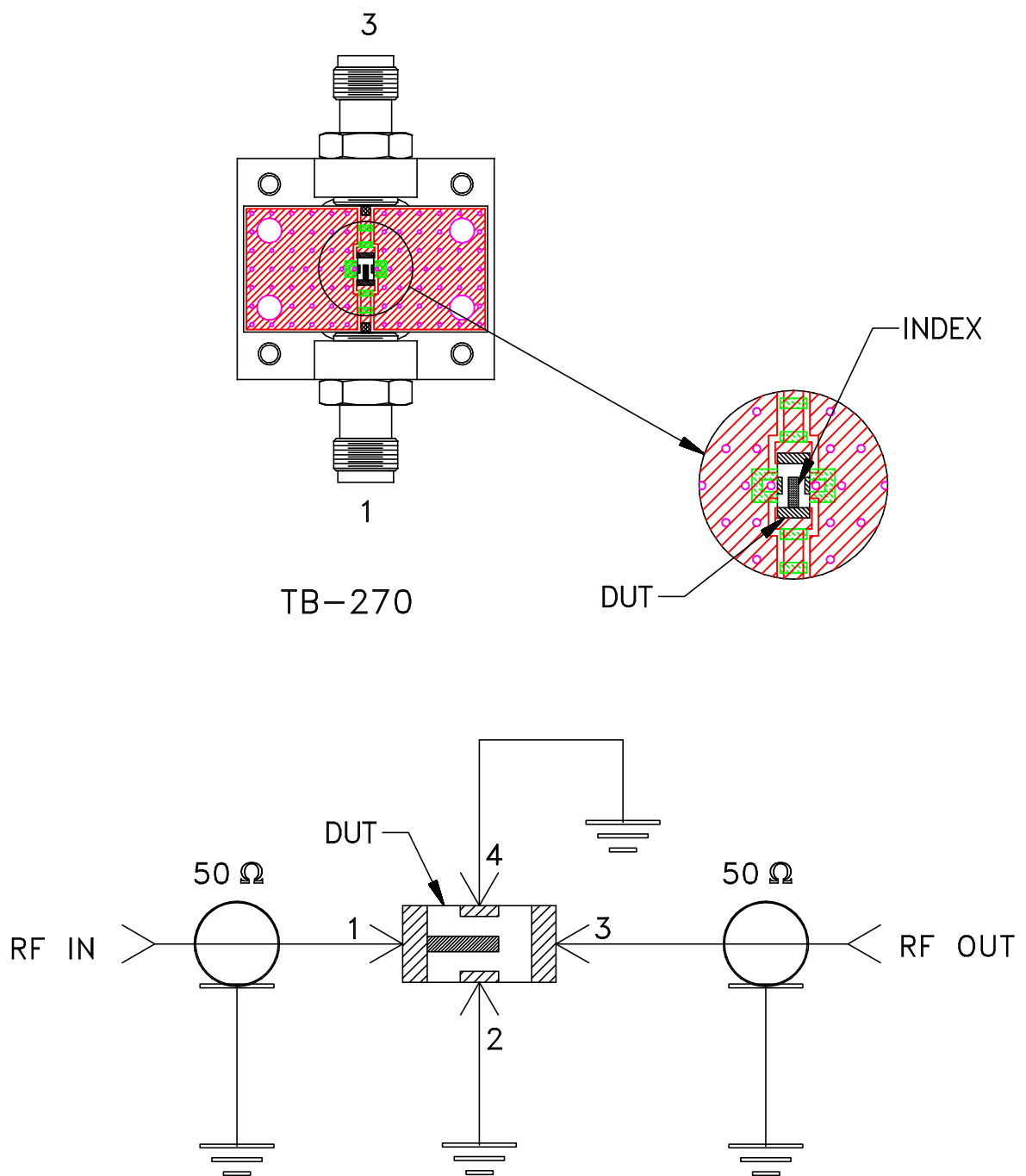
13 Neptune Avenue
 Brooklyn NY 11235

PL, nx, FV1206, LFCN/HFCN, TB-270

SIZE A	CODE IDENT 15542	DRAWING NO: 98-PL-137	REV: A
FILE: 98PL137	SCALE: 10:1	SHEET: 1 OF 1	

Mini-Circuits®
 THIS DOCUMENT AND ITS CONTENTS ARE THE PROPERTY OF MINI-CIRCUITS. EXCEPT FOR USE EXPRESSLY GRANTED, IN WRITING, TO ITS VENDORS, VENDEE AND THE UNITED STATES GOVERNMENT, MINI-CIRCUITS RESERVES ALL PROPRIETARY DESIGN, USE, MANUFACTURING AND REPRODUCTION RIGHTS THERETO. THESE CONTENTS SHALL NOT BE USED, DUPLICATED OR DISCLOSED TO ANY OUTSIDE PARTY, IN WHOLE OR IN PART, WITHOUT WRITTEN PERMISSION OF MINI-CIRCUITS.


Evaluation Board and Circuit



Schematic Diagram

Notes:

1. SMA Female connectors.
2. PCB Material: ROGERS R04350 or equivalent, Dielectric Constant=3.5, Thickness=.020 inch.

 **Mini-Circuits®**

All Mini-Circuits products are manufactured under exacting quality assurance and control standards, and are capable of meeting published specifications after being subjected to any or all of the following physical and environmental test.

Specification	Test/Inspection Condition	Reference/Spec
Operating Temperature	-55° to 100°C Ambient Environment	Individual Model Data Sheet
Storage Temperature	-55° to 100° C Ambient Environment	Individual Model Data Sheet
Humidity	90 to 95% RH, 240 hours, 50°C	MIL-STD-202, Method 103, Condition A, Except 50°C and end-point electrical test done within 12 hours
Solder Reflow Heat	Sn-Pb Eutetic Process: 225°C peak Pb-Free Process 245° - 250°C peak	J-STD-020, Table 4-1, 4-2 and 5-2, Figure 5-1
Solderability	10X Magnification	J-STD-002, Para 4.2.5, Test S, 95% Coverage
Vibration (High Frequency)	20g peak, 10-2000 Hz, 12 times in each of three perpendicular directions (total 36)	MIL-STD-202, Method 204, Condition D
Mechanical Shock	50g, 11 ms, 1/2-sine, 18 shocks: 3 each direction, each of 3 axes	MIL-STD-202, Method 213, Condition A