

# Dual Low Pass Filter

## LPFD-3040+

50Ω Passband DC to 30 MHz & DC to 40 MHz

### Maximum Ratings\*

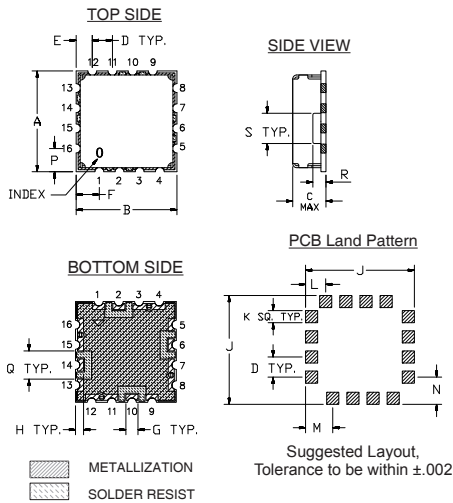
Operating Temperature	-40°C to 85°C
Storage Temperature	-55°C to 100°C
RF Power Input	0.5W Max

\*Ratings are for each of the two filters in the package. Permanent damage may occur if any of these limits are exceeded.

### Pin Connections

RF IN 1	2 (Filter 1)
RF OUT 1	14 (Filter 1)
RF IN 2	6 (Filter 2)
RF OUT 2	10 (Filter 2)
GROUND	1,3,4,5,7,8,9,11,12,13,15,16

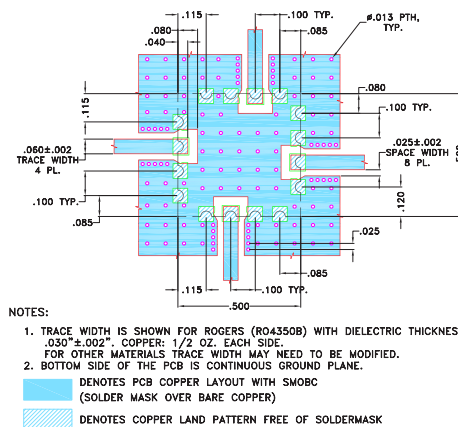
### Outline Drawing



### Outline Dimensions (inch/mm)

A	B	C	D	E	F	G	H	J
.500	.500	.195	.100	.080	.115	.060	.040	.540
12.70	12.70	4.95	2.54	2.03	2.92	1.52	1.02	13.72
K	L	M	N	P	Q	R	S	wt.
.060	.100	.135	.135	.115	.140	.070	.150	grams
1.52	2.54	3.43	3.43	2.92	3.56	1.78	3.81	1.0

### Demo Board MCL P/N: TB-686 Suggested PCB Layout (PL-374)



### Features

- High rejection
- Sharp insertion loss roll off
- Good VSWR, 1.2:1 typ. @ passband
- Small size dual filter, 0.5" x 0.5"
- Aqueous washable

### Applications

- Wireless communications
- Receivers / Transmitters



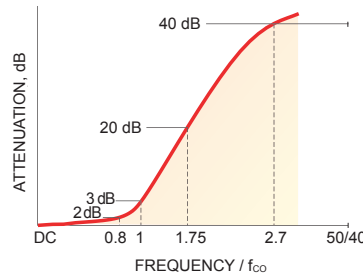
CASE STYLE: DV874

**+RoHS Compliant**  
The +Suffix identifies RoHS Compliance. See our web site for RoHS Compliance methodologies and qualifications

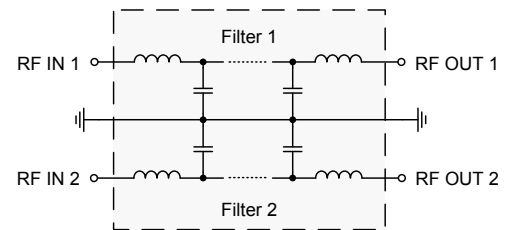
### Low Pass Filter Electrical Specifications (T<sub>AMB</sub> = 25°C)

STRUCTURE	PASSBAND (MHz) (Loss < 2dB)	f <sub>co</sub> , MHz Nom.	STOPBAND (MHz)		CROSS OVER ISOLATION (dB) Typ.	VSWR (:1)	
			(Loss > 20dB)	(Loss > 40dB)		Passband Typ.	Stopband Typ.
Filter 1	DC - 30	40	70 - 110	110 - 2000	60	1.2	20
Filter 2	DC - 40	49	85 - 130	130 - 2000		1.2	20

### Typical Frequency Response (for each of filter)



### Functional Schematic



### Typical Performance Data at 25°C

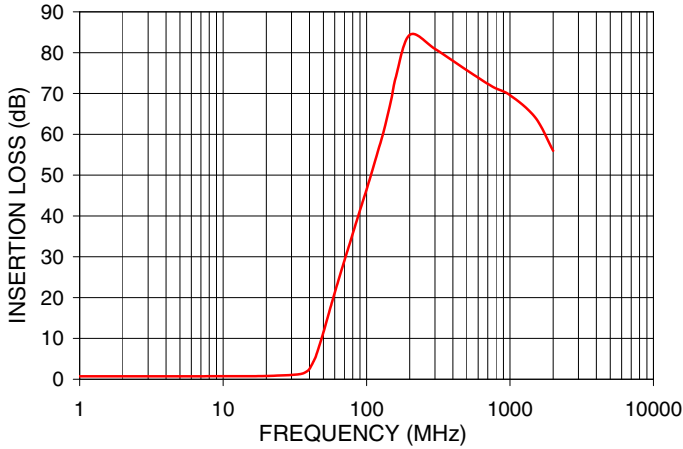
Freq. (MHz)	Filter 1			Filter 2			Cross Over Isolation (dB) between filters 1 & 2	Filter 1 Freq. (MHz)	Filter 2 Group Delay (nSec)	
	I. Loss (dB)	R. Loss (dB)	σ	I. Loss (dB)	R. Loss (dB)	σ				
0.5	0.71	0.01	21.67	0.63	0.01	22.54	80.24	1.0	14.71	12.17
10.0	0.75	0.01	19.88	0.67	0.01	19.99	73.62	2.0	13.93	11.46
30.0	1.07	0.01	23.26	0.81	0.01	35.64	63.30	5.0	14.00	11.53
40.0	2.57	0.07	8.77	1.09	0.02	26.26	57.61	7.0	14.05	11.53
45.0	6.32	0.11	3.19	1.65	0.05	12.68	57.41	9.0	14.11	11.53
49.0	10.44	0.11	1.68	2.98	0.10	6.81	58.93	10.0	14.19	11.54
55.0	16.57	0.10	0.92	7.00	0.17	2.67	62.72	12.0	14.38	11.67
60.0	21.14	0.09	0.68	11.21	0.19	1.46	65.96	14.0	14.60	11.80
70.0	29.00	0.08	0.47	19.20	0.18	0.74	70.46	18.0	15.16	12.10
85.0	38.54	0.08	0.33	28.96	0.17	0.46	73.12	20.0	15.47	12.29
100.0	46.46	0.09	0.25	36.77	0.18	0.34	73.34	22.0	15.81	12.48
110.0	51.21	0.09	0.22	41.25	0.20	0.29	73.38	26.0	16.61	12.95
130.0	59.96	0.07	0.18	48.97	0.27	0.23	73.52	28.0	17.17	13.23
300.0	79.56	1.05	0.10	92.38	7.91	0.09	70.87	30.0	18.01	13.53
500.0	77.31	1.78	0.12	84.66	1.62	0.09	70.89	32.0	19.19	13.89
1000.0	70.18	0.57	0.21	81.14	1.79	0.18	64.31	34.0	20.85	14.38
1500.0	65.33	1.24	0.26	70.79	2.35	0.25	49.52	38.0	24.94	15.78
2000.0	57.08	1.20	0.26	58.56	1.29	0.29	42.45	40.0	26.03	16.83

### Notes

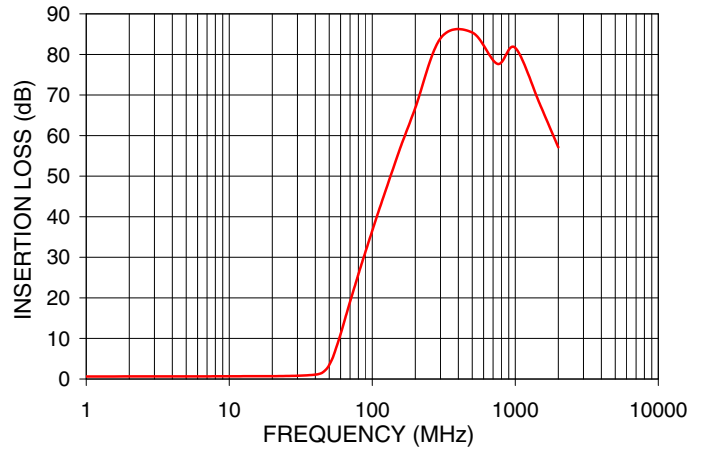
- Performance and quality attributes and conditions not expressly stated in this specification document are intended to be excluded and do not form a part of this specification document.
- Electrical specifications and performance data contained in this specification document are based on Mini-Circuits' applicable established test performance criteria and measurement instructions.
- The parts covered by this specification document are subject to Mini-Circuits standard limited warranty and terms and conditions (collectively, "Standard Terms"); Purchasers of this part are entitled to the rights and benefits contained therein. For a full statement of the Standard Terms and the exclusive rights and remedies thereunder, please visit Mini-Circuits' website at [www.minicircuits.com/MCLStore/terms.jsp](http://www.minicircuits.com/MCLStore/terms.jsp)



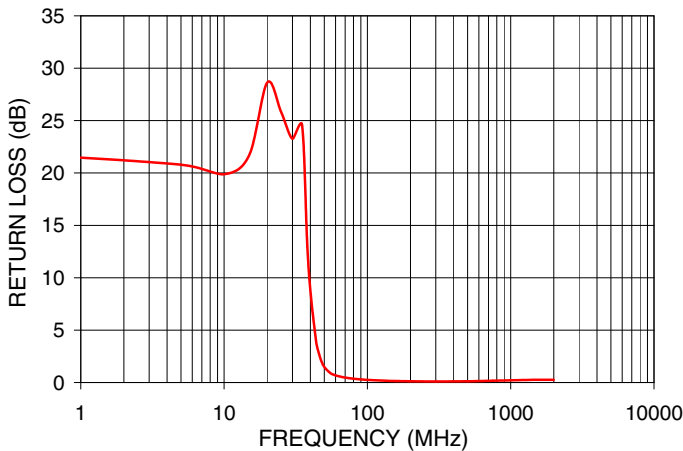
LOW PASS FILTER 1  
INSERTION LOSS



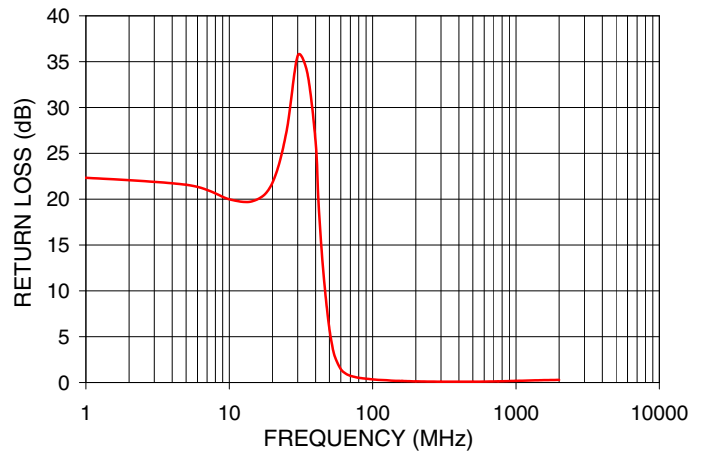
LOW PASS FILTER 2  
INSERTION LOSS



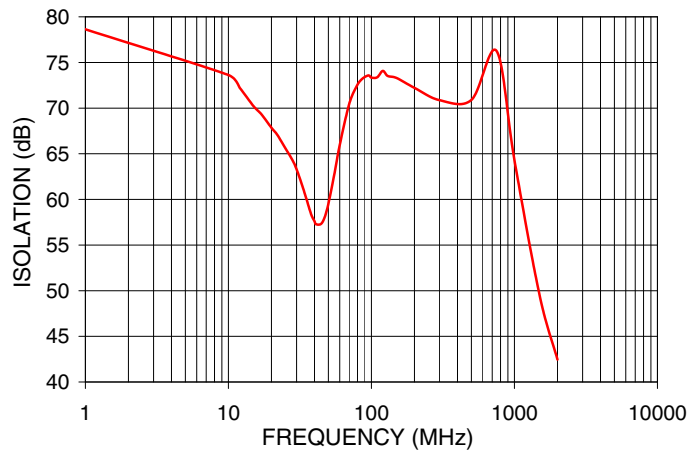
LOW PASS FILTER 1  
RETURN LOSS



LOW PASS FILTER 2  
RETURN LOSS



CROSS OVER ISOLATION  
BETWEEN FILTERS 1 & 2

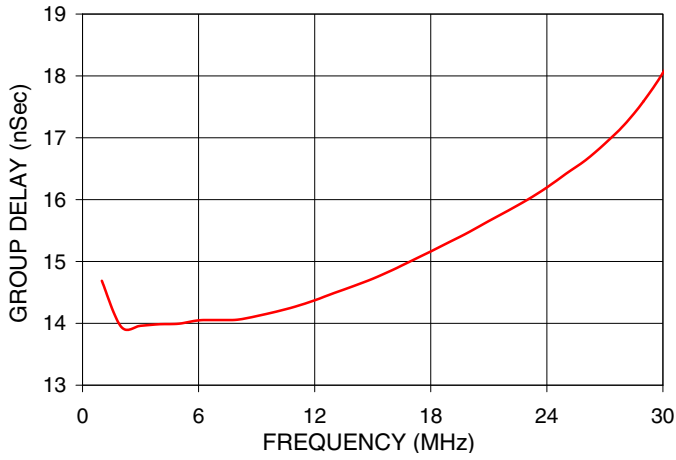


Notes

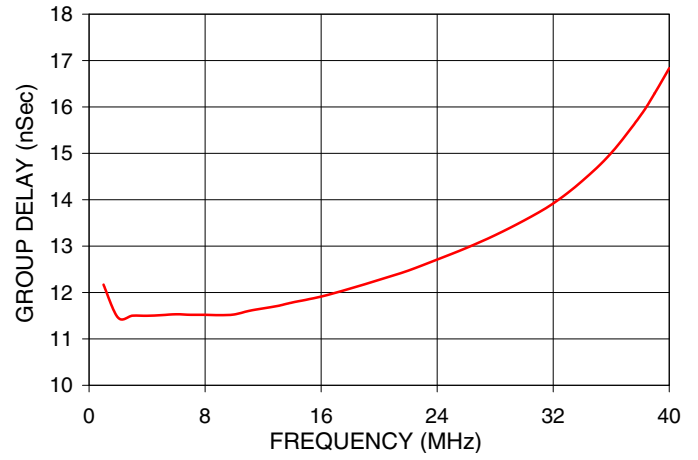
- A. Performance and quality attributes and conditions not expressly stated in this specification document are intended to be excluded and do not form a part of this specification document.
- B. Electrical specifications and performance data contained in this specification document are based on Mini-Circuit's applicable established test performance criteria and measurement instructions.
- C. The parts covered by this specification document are subject to Mini-Circuits standard limited warranty and terms and conditions (collectively, "Standard Terms"); Purchasers of this part are entitled to the rights and benefits contained therein. For a full statement of the Standard Terms and the exclusive rights and remedies thereunder, please visit Mini-Circuits' website at [www.minicircuits.com/MCLStore/terms.jsp](http://www.minicircuits.com/MCLStore/terms.jsp)



LOW PASS FILTER 1  
GROUP DELAY



LOW PASS FILTER 2  
GROUP DELAY



**Notes**

- A. Performance and quality attributes and conditions not expressly stated in this specification document are intended to be excluded and do not form a part of this specification document.
- B. Electrical specifications and performance data contained in this specification document are based on Mini-Circuit's applicable established test performance criteria and measurement instructions.
- C. The parts covered by this specification document are subject to Mini-Circuits standard limited warranty and terms and conditions (collectively, "Standard Terms"); Purchasers of this part are entitled to the rights and benefits contained therein. For a full statement of the Standard Terms and the exclusive rights and remedies thereunder, please visit Mini-Circuits' website at [www.minicircuits.com/MCLStore/terms.jsp](http://www.minicircuits.com/MCLStore/terms.jsp)



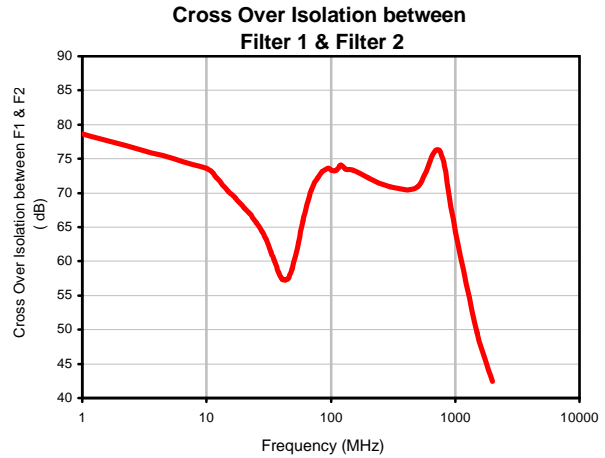
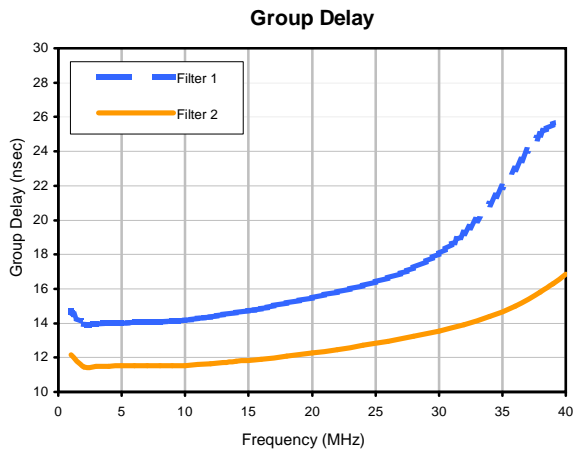
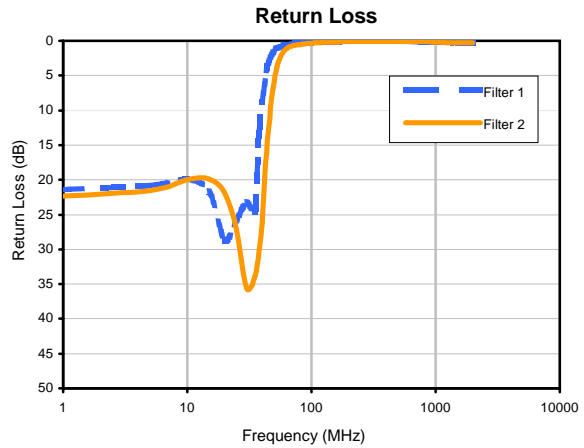
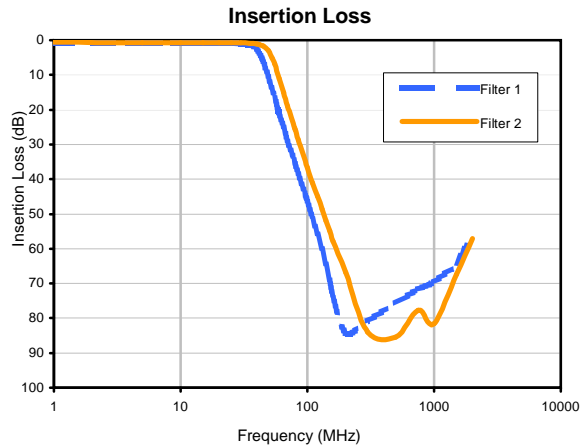
# Low Pass Filter

# LPFD-3040+

## Typical Performance Data

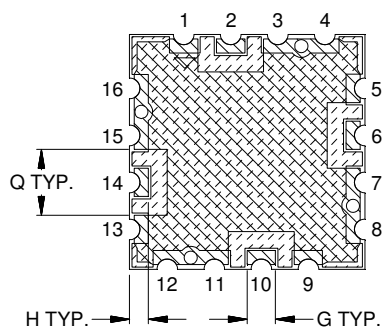
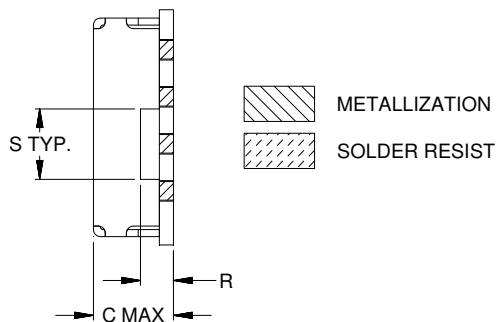
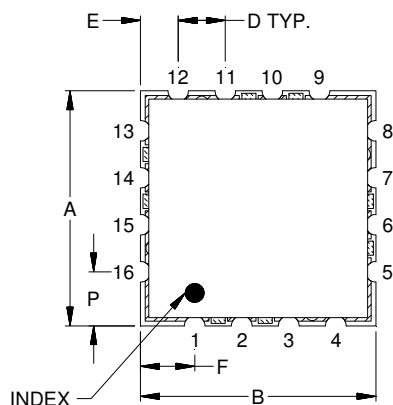
FREQUENCY (MHz)	INSERTION LOSS		RETURN LOSS		Cross Over Isolation between F1 & F2 (dB)	FREQUENCY (MHz)	GROUP DELAY	
	Filter 1 (dB)	Filter 2 (dB)	Filter 1 (dB)	Filter 2 (dB)			Filter 1 (nsec)	Filter 2 (nsec)
0.5	0.71	0.63	21.67	22.54	80.24	1.0	14.71	12.17
10.0	0.75	0.67	19.88	19.99	73.62	2.0	13.93	11.46
30.0	1.07	0.81	23.26	35.64	63.30	5.0	14.00	11.53
40.0	2.57	1.09	8.77	26.26	57.61	7.0	14.05	11.53
45.0	6.32	1.65	3.19	12.68	57.41	9.0	14.11	11.53
49.0	10.44	2.98	1.68	6.81	58.93	10.0	14.19	11.54
55.0	16.57	7.00	0.92	2.67	62.72	12.0	14.38	11.67
60.0	21.14	11.21	0.68	1.46	65.96	14.0	14.60	11.80
70.0	29.00	19.20	0.47	0.74	70.46	18.0	15.16	12.10
85.0	38.54	28.96	0.33	0.46	73.12	20.0	15.47	12.29
100.0	46.46	36.77	0.25	0.34	73.34	22.0	15.81	12.48
110.0	51.21	41.25	0.22	0.29	73.38	26.0	16.61	12.95
130.0	59.96	48.97	0.18	0.23	73.52	28.0	17.17	13.23
300.0	79.56	92.38	0.10	0.09	70.87	30.0	18.01	13.53
500.0	77.31	84.66	0.12	0.09	70.89	32.0	19.19	13.89
1000.0	70.18	81.14	0.21	0.18	64.31	34.0	20.85	14.38
1500.0	65.33	70.79	0.26	0.25	49.52	38.0	24.94	15.78
2000.0	57.08	58.56	0.26	0.29	42.45	40.0	26.03	16.83

## Typical Performance Data

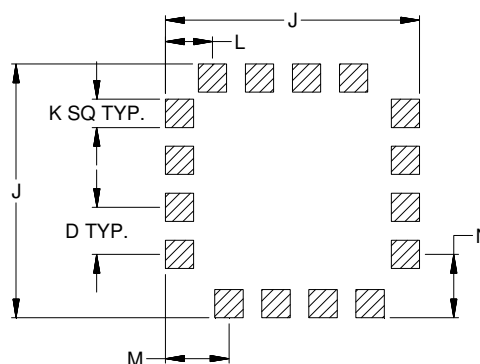


## Outline Dimensions

## DV874



PCB Land Pattern



Suggested Layout,  
Tolerance to be within  $\pm 0.02$

CASE#	A	B	C	D	E	F	G	H	J	K	L	M
DV874	.500 (12.70)	.500 (12.70)	.195 (4.95)	.100 (2.54)	.080 (2.03)	.115 (2.92)	.060 (1.52)	.040 (1.02)	.540 (13.72)	.060 (1.52)	.100 (2.54)	.135 (3.43)

CASE#	N	P	Q	R	S	WT.GRAM
DV874	.135 (3.43)	.115 (2.92)	.140 (3.56)	.070 (1.78)	.150 (3.81)	1.0

Dimensions are in inches (mm). Tolerances: 2Pl.  $\pm .03$ ; 3Pl.  $\pm .015$

### Notes:

- Case material: Nickel-Silver alloy.
- Base: Printed wiring laminate.
- Termination finish:
  - For RoHS Case Styles: 3-5  $\mu$  inch (.08-.13 microns) Gold over 120-240  $\mu$  inch (3.05-6.10 microns) Nickel plate.
  - For RoHS-5 Case Styles: Tin-Lead plate.



P.O. Box 350166, Brooklyn, New York 11235-0003 (718) 934-4500 Fax (718) 332-4661 For detailed performance specs & shopping online see Mini-Circuits web site



The Design Engineers Search Engine Provides ACTUAL Data Instantly From MINI-CIRCUITS At: [www.minicircuits.com](http://www.minicircuits.com)

RF/IF MICROWAVE COMPONENTS

# Tape & Reel Packaging TR-F37



Tape Width, mm	Device Cavity Pitch, mm	Reel Size, inches	Devices per Reel	
24	16	7	Small quantity standards (see note)	10
				20
				50
				100
		13	Standard	200
500				

Note: Please consult individual model data sheet to determine device per reel availability.

Mini-Circuits carrier tape materials provide protection from ESD (Electro-Static Discharge) during handling and transportation. Tapes are static dissipative and comply with industry standards EIA-481/EIA-541.

Go to: [www.minicircuits.com/pages/pdfs/tape.pdf](http://www.minicircuits.com/pages/pdfs/tape.pdf)



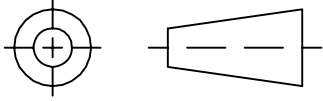
INTERNET <http://www.minicircuits.com>

P.O. Box 350166, Brooklyn, New York 11235-0003 (718) 934-4500 Fax (718) 332-4661

Distribution Centers NORTH AMERICA 800-654-7949 • 417-335-5935 • Fax 417-335-5945 • EUROPE 44-1252-832600 • Fax 44-1252-837010

Mini-Circuits ISO 9001 & ISO 14001 Certified

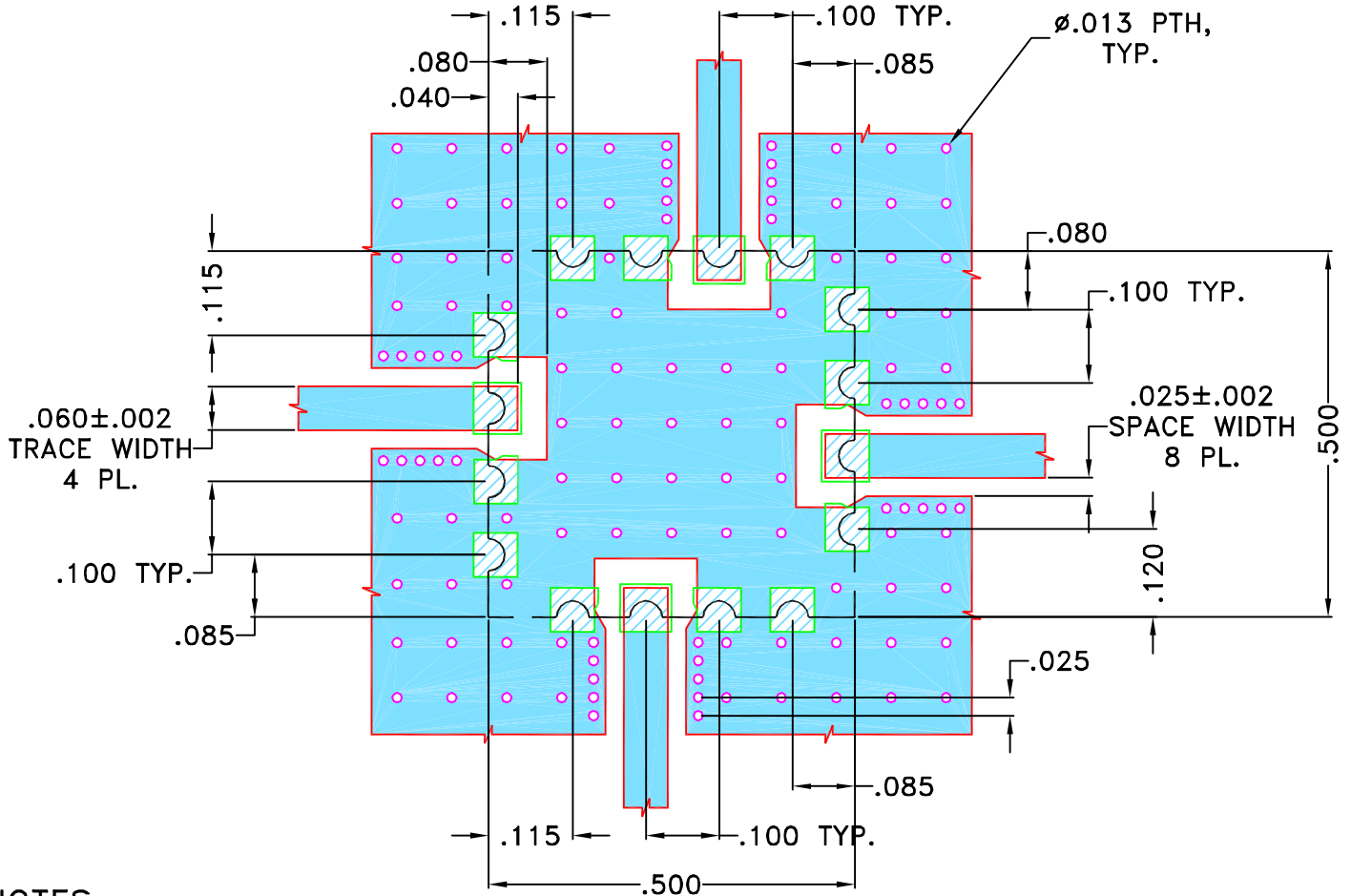
THIRD ANGLE PROJECTION



REVISIONS



REV	ECN No.	DESCRIPTION	DATE	DR	AUTH
OR	M137753	NEW RELEASE	JUN 12	DDR	KG
A	M142821	ADDED PIN CODE "16FL01"	08/07/13	GF	IL

SUGGESTED MOUNTING CONFIGURATION FOR DV874 CASE STYLE, 16AV01/16FL01 PIN CODES



NOTES:

- TRACE WIDTH IS SHOWN FOR ROGERS (R04350B) WITH DIELECTRIC THICKNESS .030"±.002". COPPER: 1/2 OZ. EACH SIDE.  
FOR OTHER MATERIALS TRACE WIDTH MAY NEED TO BE MODIFIED.
- BOTTOM SIDE OF THE PCB IS CONTINUOUS GROUND PLANE.

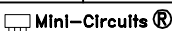
-  DENOTES PCB COPPER LAYOUT WITH SMOBC (SOLDER MASK OVER BARE COPPER)
-  DENOTES COPPER LAND PATTERN FREE OF SOLDERMASK

UNLESS OTHERWISE SPECIFIED	INITIALS	DATE
DIMENSIONS ARE IN INCHES TOLERANCES ON: 2 PL DECIMALS ± 3 PL DECIMALS ± .005" ANGLES ± FRACTIONS ±	DRAWN	DDR 28 JUN 12
	CHECKED	MD 28 JUN 12
	APPROVED	ASJ 28 JUN 12

 **Mini-Circuits®** 13 Neptune Avenue  
Brooklyn NY 11235

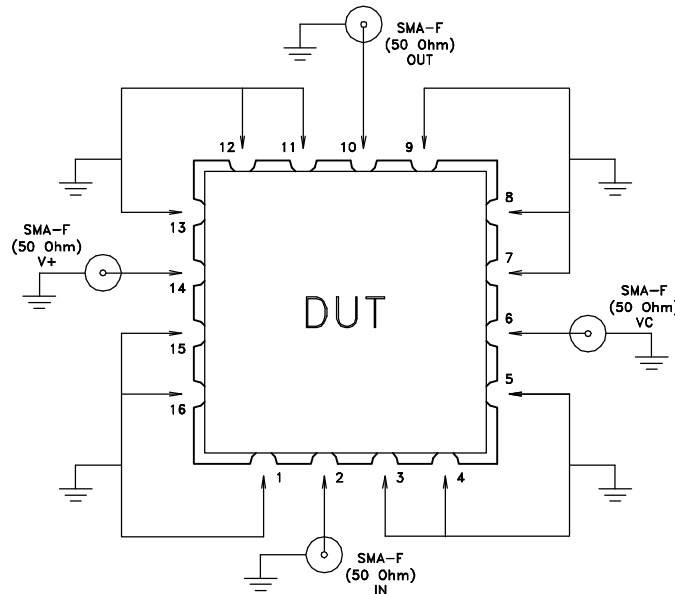
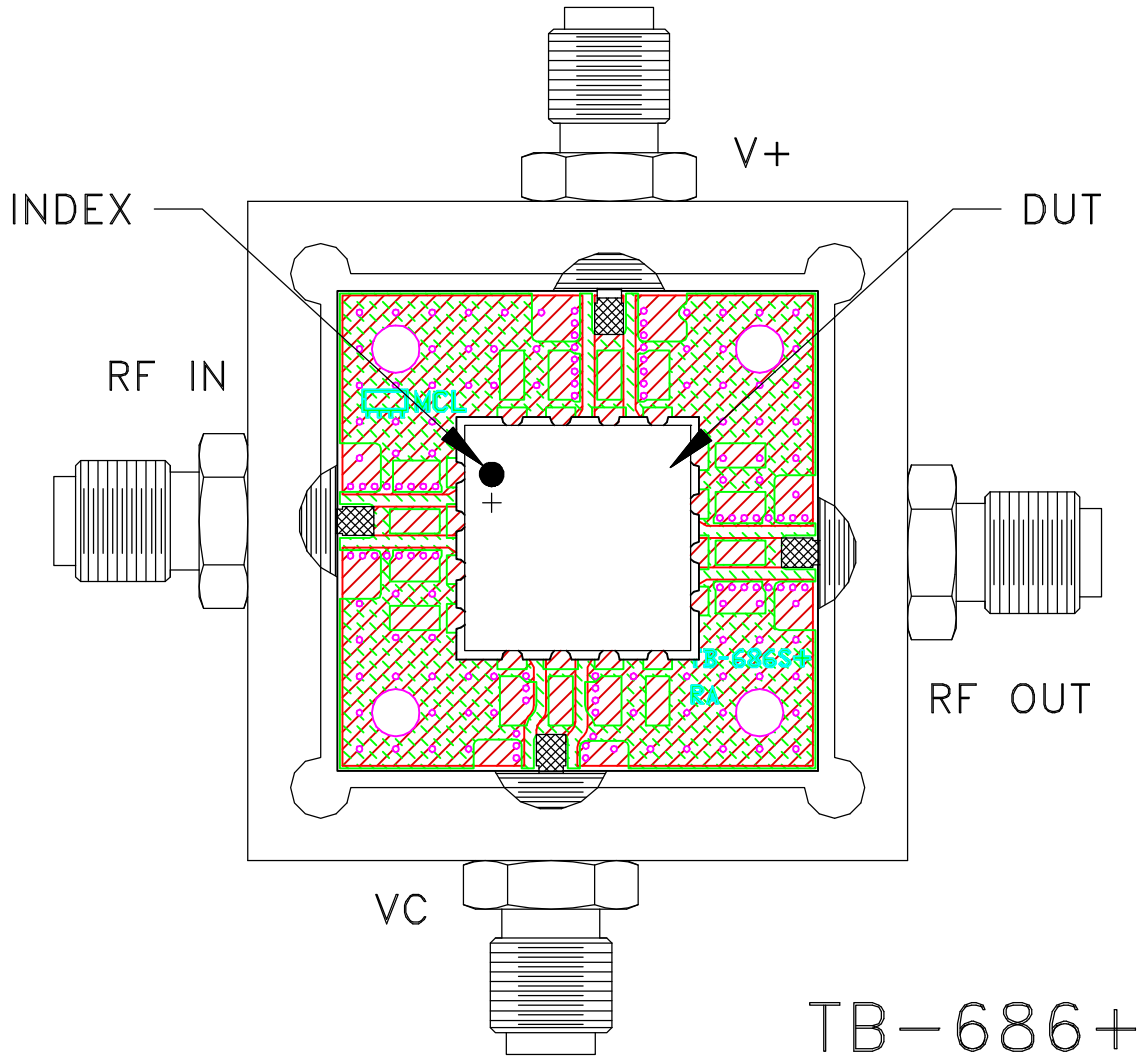
PL, 16AV01/16FL01, DV874,  
TB-686+

SIZE A	CODE IDENT 15542	DRAWING NO: 98-PL-374	REV: A
FILE: 98PL374	SCALE: 4:1	SHEET: 1 OF 1	

 Mini-Circuits®  
THIS DOCUMENT AND ITS CONTENTS ARE THE PROPERTY OF MINI-CIRCUITS.  
EXCEPT FOR USE EXPRESSLY GRANTED, IN WRITING, TO ITS VENDORS, VENDEE  
AND THE UNITED STATES GOVERNMENT, MINI-CIRCUITS RESERVES ALL PROPRIETARY  
DESIGN, USE, MANUFACTURING AND REPRODUCTION RIGHTS THERETO.  
THESE CONTENTS SHALL NOT BE USED, DUPLICATED OR DISCLOSED TO ANY OUTSIDE  
PARTY, IN WHOLE OR IN PART, WITHOUT WRITTEN PERMISSION OF MINI-CIRCUITS.



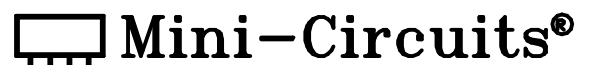
# Evaluation Board and Circuit



Schematic Diagram

Notes:

1. 50 Ohm SMA Female connectors.
2. PCB Material: ROGERS (R04350B) OR Equivalent  
Dielectric Constant=3.48±.05, Thickness=.030 inch.



All Mini-Circuits products are manufactured under exacting quality assurance and control standards, and are capable of meeting published specifications after being subjected to any or all of the following physical and environmental test.

Specification	Test/Inspection Condition	Reference/Spec
Operating Temperature	-55° to 85°C Ambient Environment	Individual Model Data Sheet
Storage Temperature	-55° to 85° C Ambient Environment	Individual Model Data Sheet
HAST	130°C, 85% RH, 96 hours	JESD22-A110
Humidity	90 to 95% RH, 240 hours, 50°C	MIL-STD-202, Method 103, Condition A, Except 50°C and end-point electrical test done within 12 hours
Thermal Shock	-55° to 100°C, 100 cycles	MIL-STD-202, Method 107, Condition A-3, except +100°C
Solder Reflow Heat	Sn-Pb Eutectic Process: 225°C peak Pb-Free Process, 245°C peak	J-STD-020, Table 4-1, 4-2 and 5-2, Figure 5-1
Solderability	10X Magnification	J-STD-002, Para 4.2.5, Test S, 95% Coverage
Vibration (High Frequency)	20g peak, 20-2000 Hz, 4 times in each of three axes (total 12)	MIL-STD-883, Method 2007.3, Condition A
Mechanical Shock	50g, 11 ms, 1/2-sine, 18 shocks: 3 each direction, each of 3 axes	MIL-STD-202, Method 213, Condition A
Marking Resistance to Solvents	Isopropyl alcohol + mineral spirits at 25°C; terpene defluxer at 25°C; distilled water + proylene glycol monomethyl ether + monoethanolamine at 63°C to 70°C	MIL-STD-202, Method 215