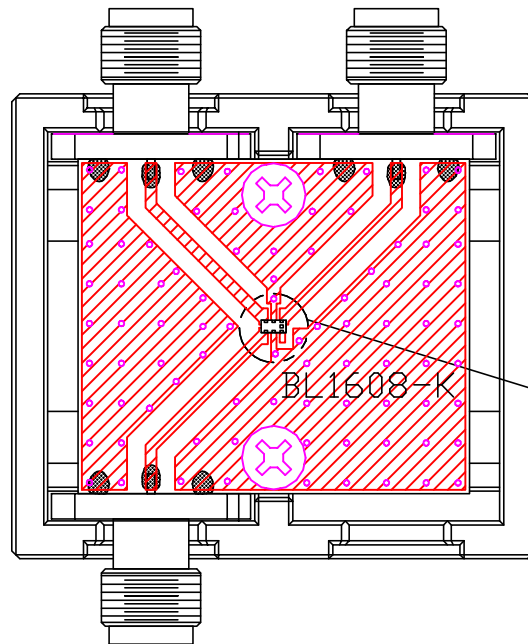


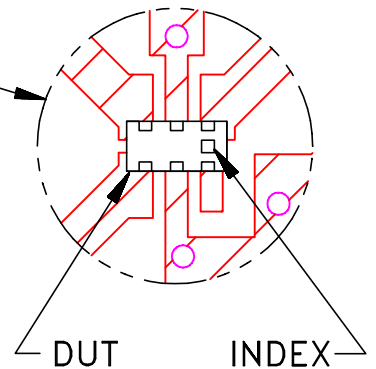
Evaluation Board and Circuit

BALANCED PORT 1

UNBALANCED PORT

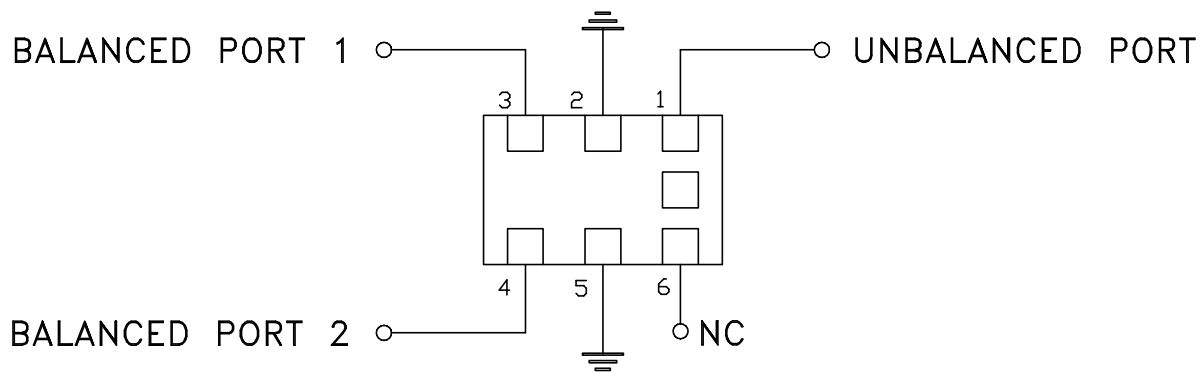


BALANCED PORT 2



TB-1011+


OR DC FEED+GND



Schematic Diagram

Notes:

1. 50 Ohm SMA Female connectors.
2. PCB Material: FR4 or equivalent, Dielectric Constant=4.5, Thickness=.016 inch.

 **Mini-Circuits®**