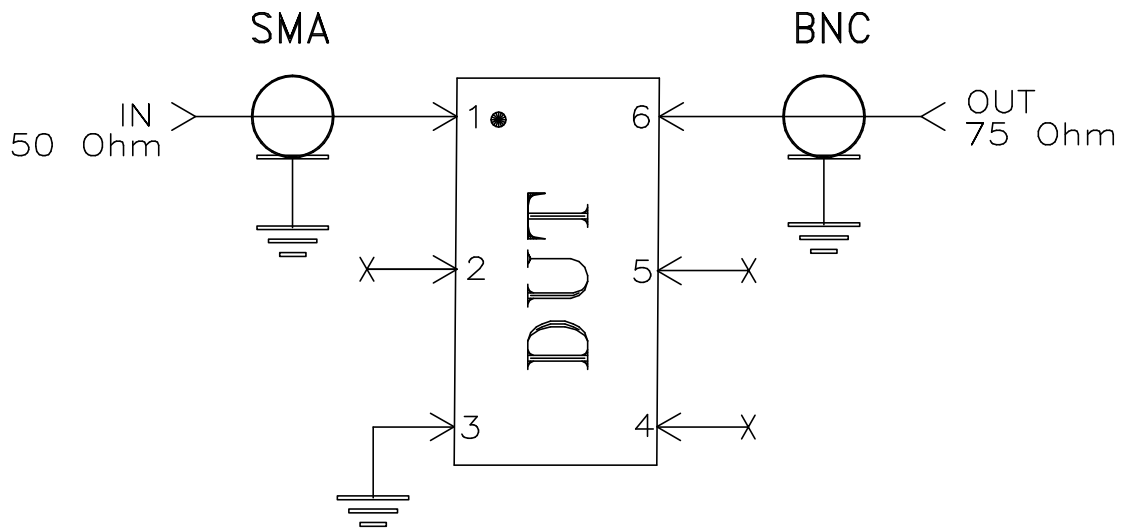
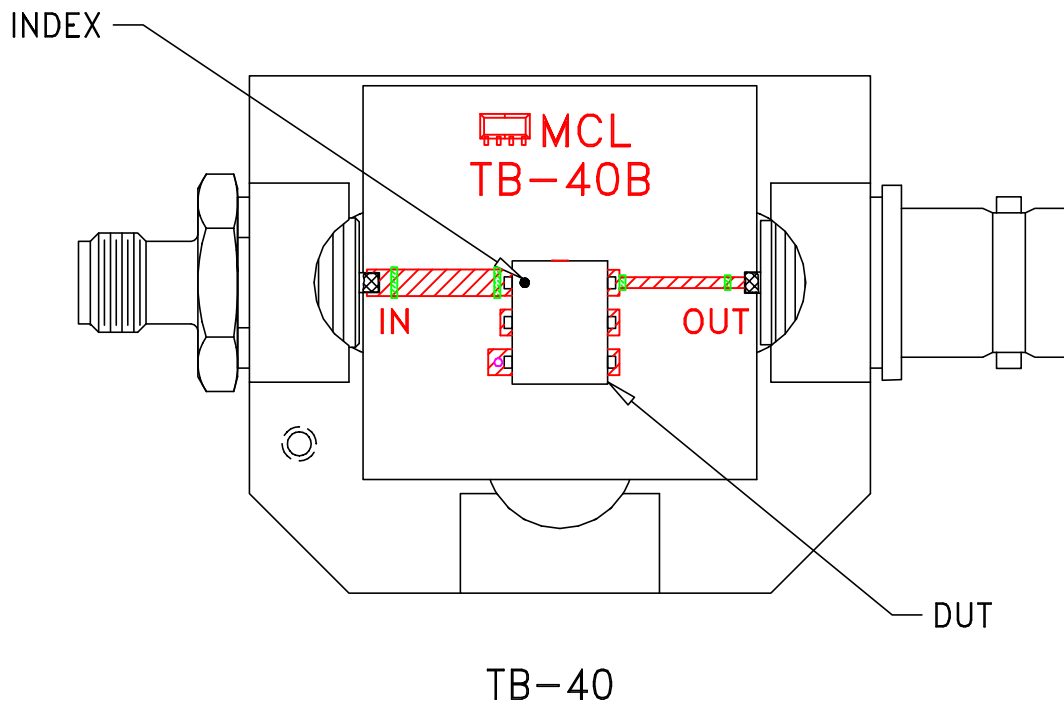



Evaluation Board and Circuit



Schematic Diagram

Notes:

1. SMA and BNC Female connectors.
2. PCB Material: Rogers R04350 or equivalent,
Dielectric Constant=3.5, Thickness=.030 inch.

 **Mini-Circuits®**