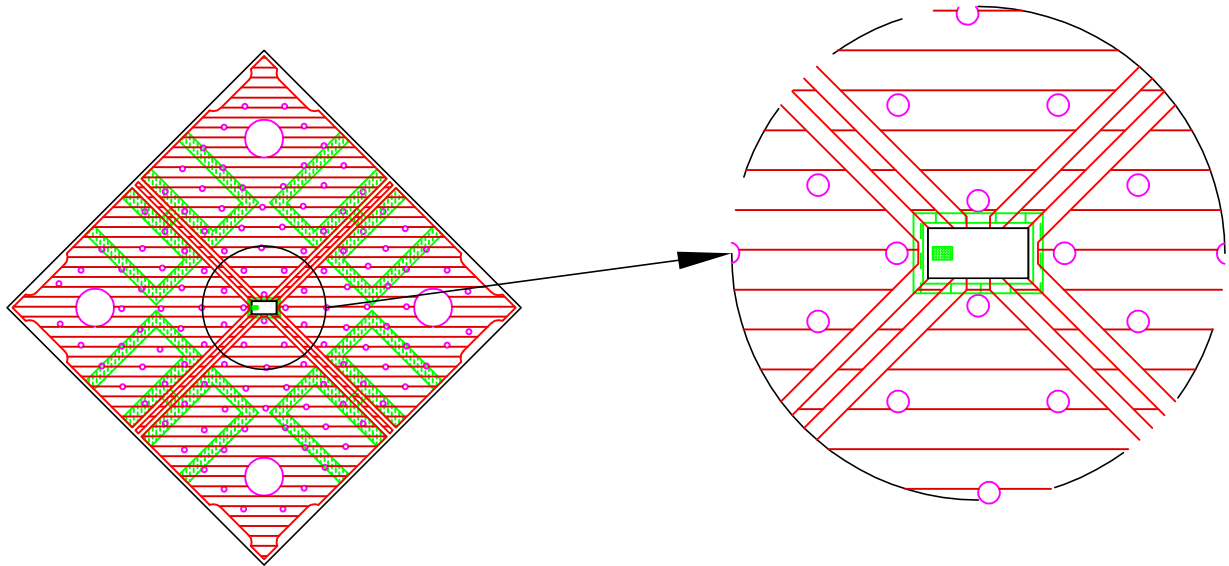
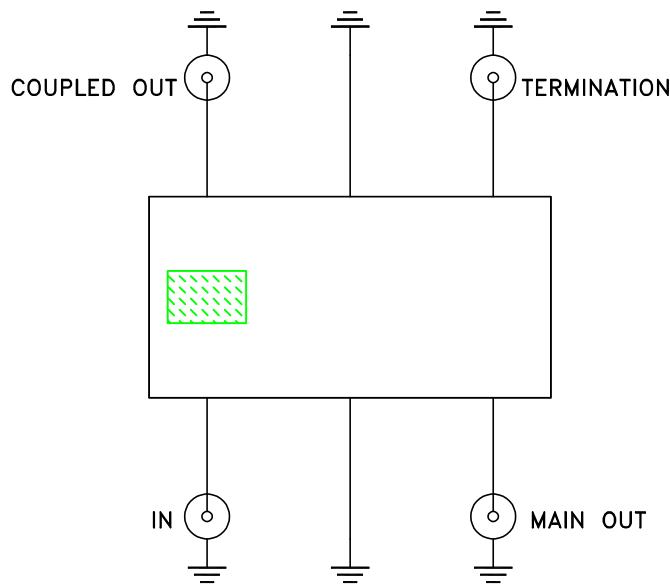


Evaluation Board and Circuit

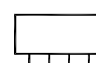


TB-DCW-20-722+



Schematic Diagram

1. 50 Ohm SMA Female end Launch connectors.
2. PCB Material: FR4 IT-180A or equivalent,
Dielectric Constant= 4.4 Thickness=.053 inch.

 **Mini-Circuits®**