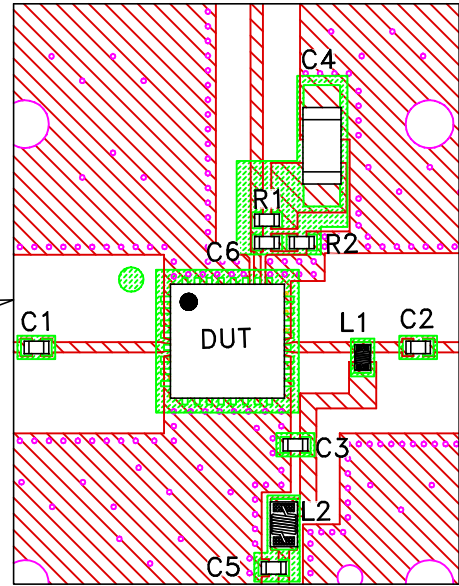
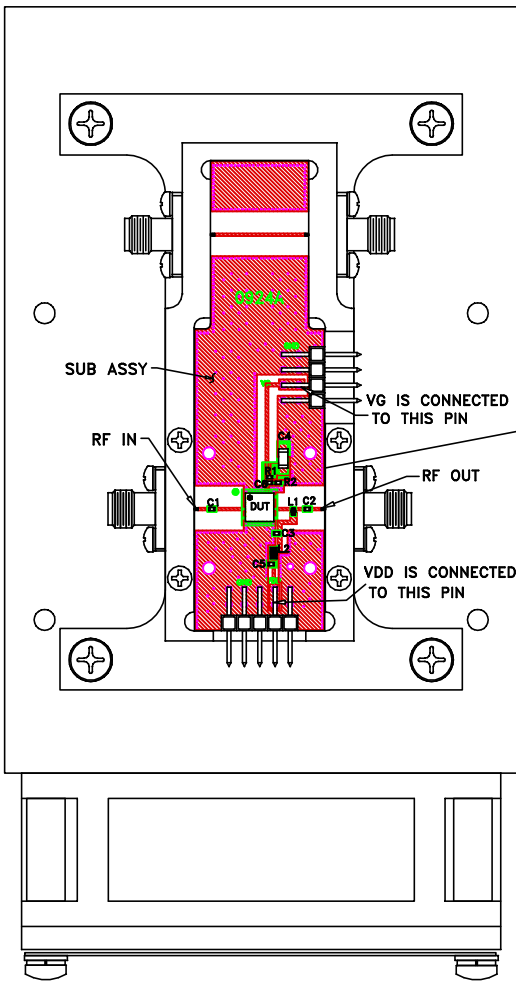
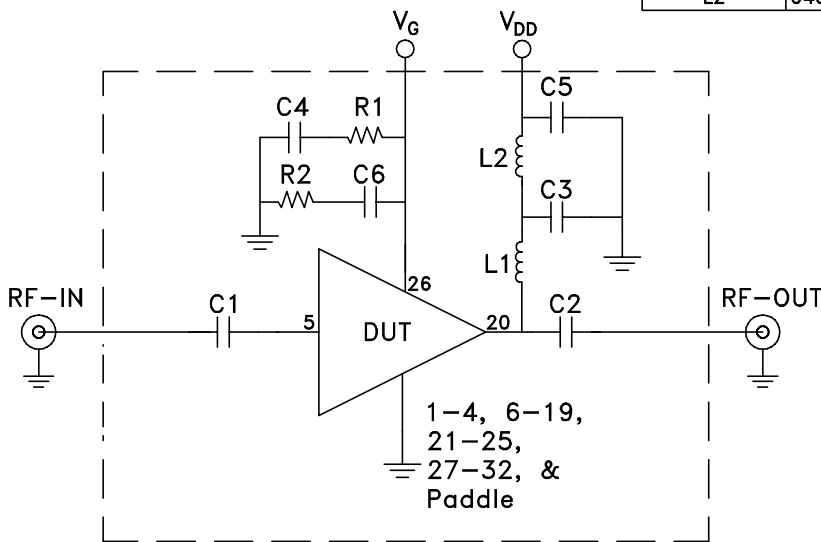


Evaluation Board and Circuit




Component	Size	Value	PartNumber	Manufacturer
R1- R2	0402	0Ω	RK73Z1ETTP	KOA SPEER ELECTRONICS
C1-C3	0402	1nF	GRM1555C1H102GA01D	MURATA
C4	1206	1μF	12061C105KAT2A	AVX CORPORATION
C5	0402	0.1μF	04025C104JAT2A	AVX CORPORATION
C6	0402	100pF	GRM1555C2A101JA01D	MURATA
L1	0402	18nH	0402HP-18NXGRW	COILCRAFT
L2	0402	47nH	0603HC-47NXJRW	COILCRAFT



SCHEMATIC

Notes:

- 2.92mm Female Connectors.
- PCB Material: Roger RO4003C or equivalent,
Dielectric constant=3.38, Thickness=0.0087±.001 inch

 **Mini-Circuits®**