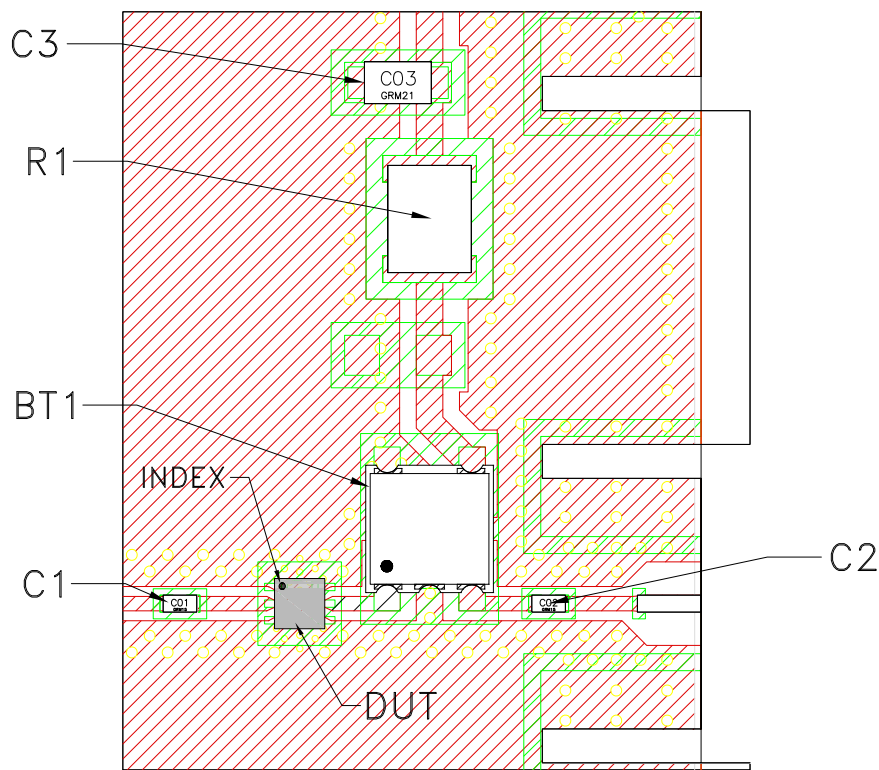
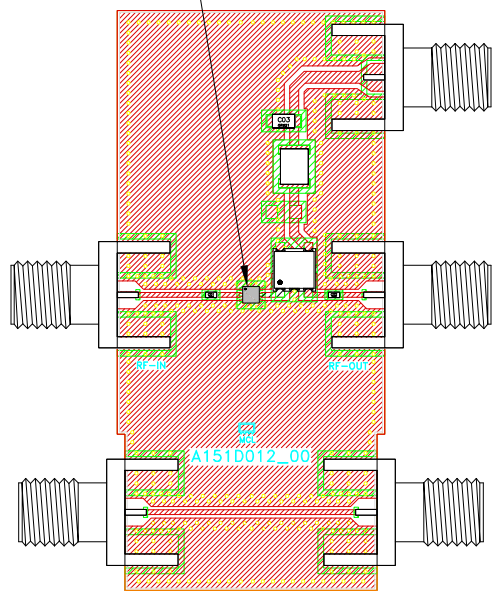
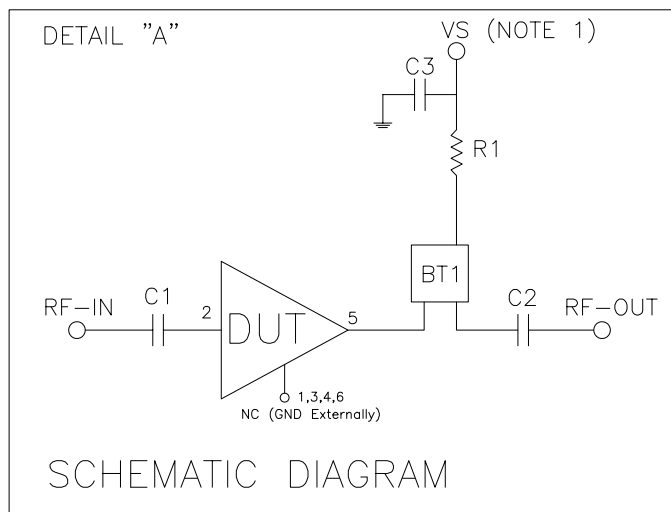


# Evaluation Board and Circuit

SEE DETAIL "A"



DETAIL "A"  
LOCATION OF COMPONENTS  
ON THE PCB  
(SCALE 3:1)



Components	Size	Value	Part Numbers	Manufacturer
C1,C2	0402	2.4nF	GRM1557U1A242JA1D	Murata
C3	0805	0.1uF	GCM21BR91H104KA37L	Murata
R1	1210	43Ω	RC1210FR-0743RL	Yageo
BT1	N/A	N/A	TCBT-14+	Mini Circuits

## NOTES:

1. VS Voltage=+8V
2. 50 Ohm SMA Female Connectors.
3. PCB Material: Roger R04350B or equivalent,  
Dielectric constant=3.5, Thickness=0.010 inch

 Mini-Circuits®