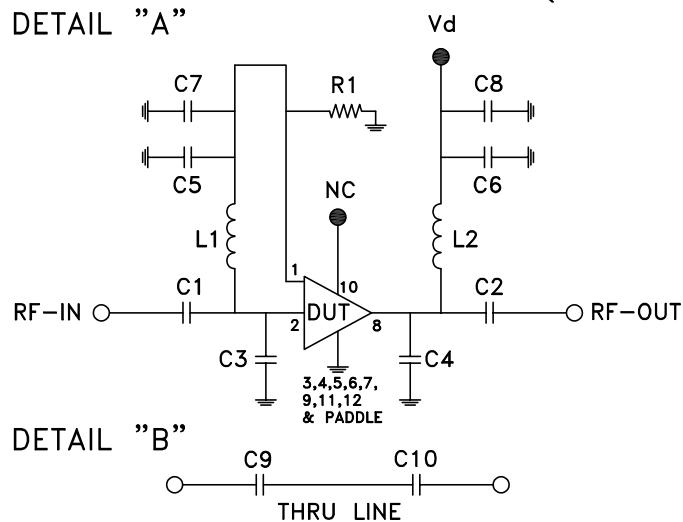
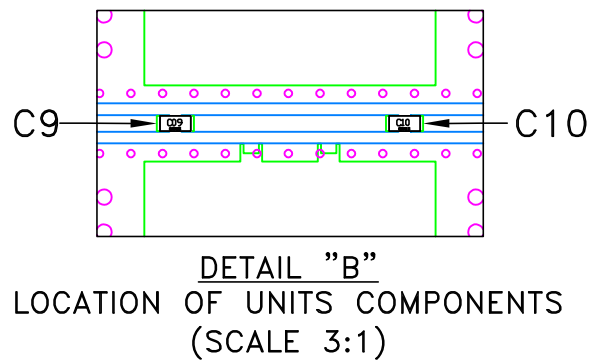
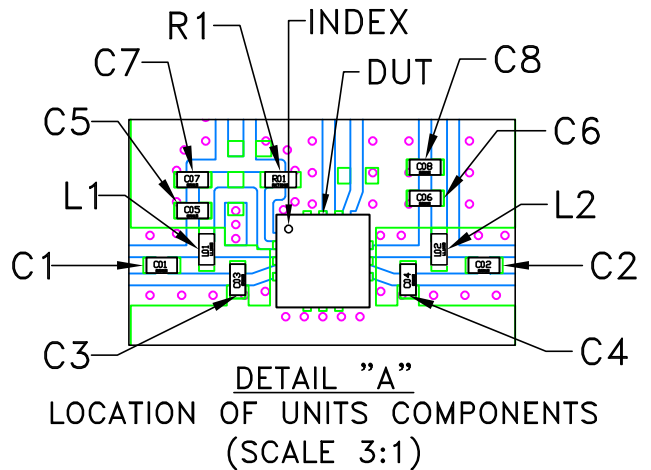
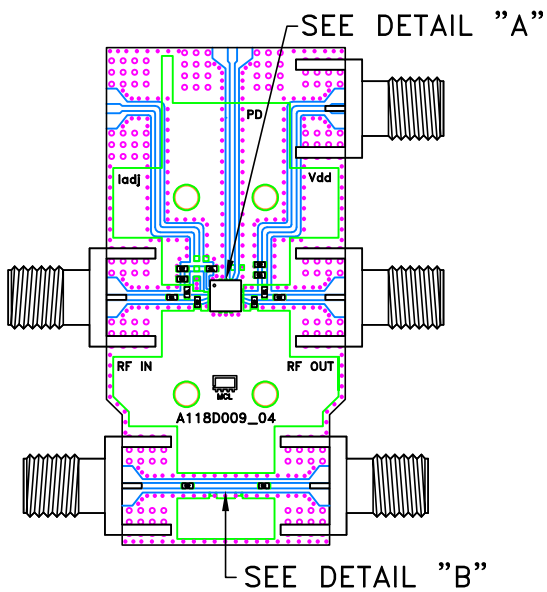


Evaluation Board and Circuit



Schematic Diagram

COMPONENTS	SIZE	VALUE	MANUFACTURER	PART NUMBER
C1,C2,C9,C10	0402	0.01uF	Murata	GRM155R71H103KA88D
C3		0.2 pF		GJM1555C1HR20WB01D
C4		0.1 pF		GJM1555C1HR10WB01D
C5,C6		100 pF		GRM1555C1H101JA01D
C7,C8		0.1 uF		GRM155R71H104KE14J
L1,L2		900 nH		Coilcraft
R1		5.6 kΩ	KOA Speer	RK73H1ETTP5601F

NOTES:

1. 50 Ohm SMA Female Connectors.
2. PCB Material: Roger RO4350B or equivalent, Dielectric constant=3.5, Thickness=0.010 inch

Mini-Circuits®