



TEST SOLUTIONS

Torque Wrench

TRQ-N20.6-8

Torque WR N-Type / 20.6 mm / 8 in. Lb

FEATURES

- Lab quality
- Accuracy
- Precise preset torque
- Prevent over or under tightening
- Light weight, easy to use
- N-Type connectors 13/16" or 20.6mm across flats



Generic photo used for illustration purposes only

THE WRENCH KIT CONSISTS OF:

1. Break-over torque wrench
2. Verification certificate*
3. Foam padded cardboard instrument case

Case Style	MY3254
Verification	VERTRQ-N20.6-8

COMPLIANCE

Performance standards are in compliance with ANSI/NCSS Z540 and ISO 10011

PRODUCT OVERVIEW

Mini-Circuits' Precise Break-over Torque Wrench TRQ-N20.6-8 allows for precise mating force and easy use in tight spaces. The head will break over to signal the user when preset torque is achieved. It will effectively prevent over/under tightening. Groove at end of handle marks position to hold wrench.

PRODUCT SPECIFICATIONS

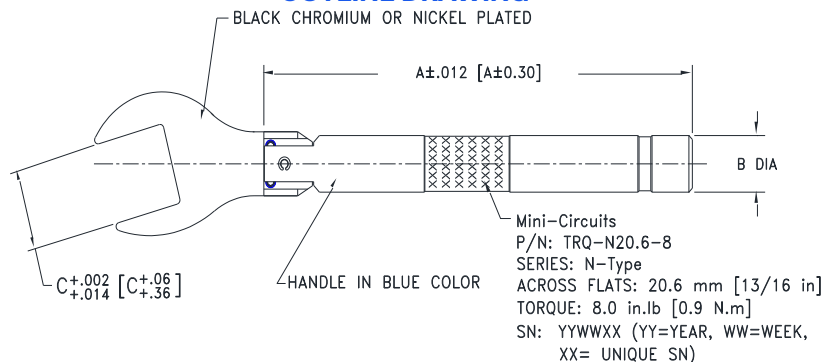
Wrench Torque	8±0.4 inch.lbs (0.9±0.045 NM)
Wrench Size	20.6mm (13/16 inches)
Wrench Head	Carbon Steel Black Chromium or Chrome Vanadium Steel Nickel Plated
Handle	Aluminum blue anodized
Length (Nominal)	6.97 ±.030 inches

*Recommended duration of calibration is one year. Calibration intervals set by national and international standards are either one year or 5000 cycles, whichever comes first. However, to ensure that the performance is in accordance to factory calibrated standards, actual need of calibration may vary based on use. Contact Sales AM for quotation on performance verification.

NOTES

- Performance and quality attributes and conditions not expressly stated in this specification document are intended to be excluded and do not form a part of this specification document.
- Electrical specifications and performance data contained in this specification document are based on Mini-Circuits' applicable established test performance criteria and measurement instructions.
- The parts covered by this specification document are subject to Mini-Circuits' standard limited warranty and terms and conditions (collectively, "Standard Terms"); Purchasers of this part are entitled to the rights and benefits contained therein. For a full statement of the standard terms and the exclusive rights and remedies thereunder, please visit Mini-Circuits' website at www.minicircuits.com/terms/viewterm.html

OUTLINE DRAWING



CASE #	A	B	C
MY3254	5.00 [127.05]	.559 [14.2]	.813 [20.6]

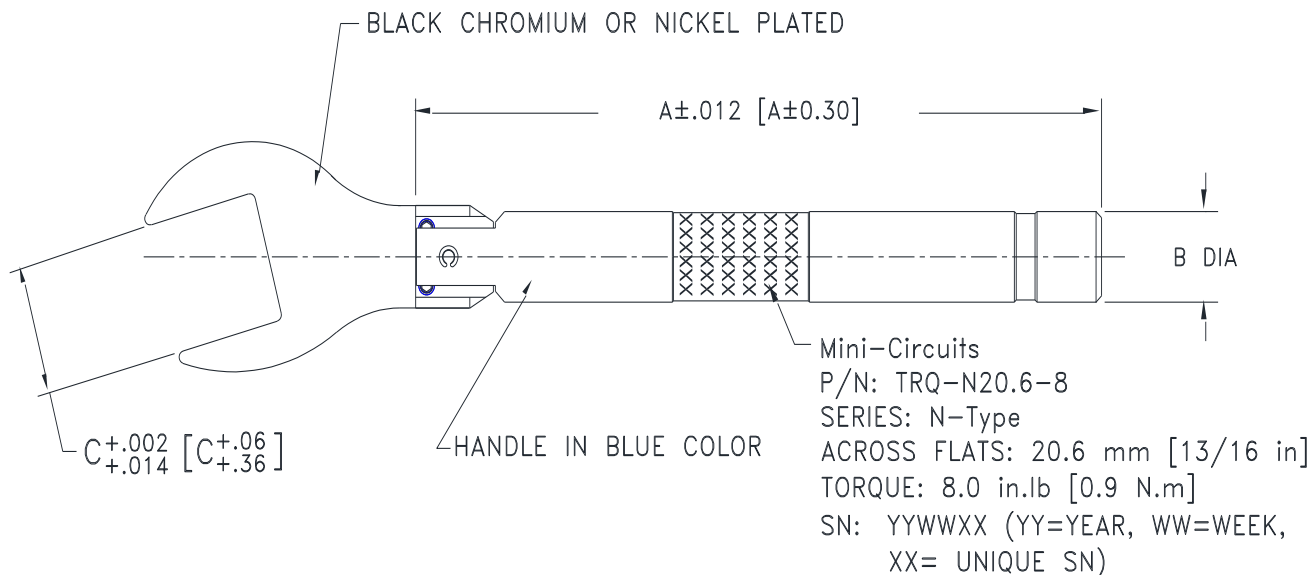
Dimensions are in inches [mm]. Tolerances: 3 Pl. ± .006 [0.150] Inch [mm]
Torque Wrench Weight: 95 grams
Torque Wrench + Box Weight: 175 grams

REV. E
ECO-024551
TRQ-N20.6-8
MCL NY
260427



Outline Dimensions

MY3254



CASE #	A	B	C
MY3254	5.00 [127.05]	.559 [14.2]	.813 [20.6]

Dimensions are in inches [mm]. Tolerances: 3 Pl. $\pm .006$ [0.150] Inch[mm]

Torque Wrench Weight: 95 grams
Torque Wrench + Box Weight: 175 grams

Notes:

Material:

1. Stainless steel.
2. Aluminium color : Blue.
3. Carbon Steel Black Chromium or Chrome Vanadium Steel Nickel Plated.

Mini-Circuits®
ISO 9001 ISO 14001 CERTIFIED

ALL NEW
minicircuits.com

P.O. Box 350166, Brooklyn, New York 11235-0003 (718) 934-4500 Fax (718) 332-4661 For detailed performance specs & shopping online see Mini-Circuits web site



The Design Engineers Search Engine Provides ACTUAL Data Instantly From MINI-CIRCUITS At: www.minicircuits.com

RF/IF MICROWAVE COMPONENTS