

# Coaxial Directional Coupler

## ZFDC-15-6+

50Ω

0.03 to 35 MHz



Generic photo used for illustration purposes only

CASE STYLE: K18

Connectors	Model
BNC	ZFDC-15-6+
SMA	ZFDC-15-6-S+
N-TYPE	ZFDC-15-6-N+
BRACKET (OPTION "B")	

**+RoHS Compliant**

The +Suffix identifies RoHS Compliance. See our web site for RoHS Compliance methodologies and qualifications

### Maximum Ratings

Operating Temperature -55°C to 100°C

Storage Temperature -55°C to 100°C

Permanent damage may occur if any of these limits are exceeded.

### Coaxial Connections

INPUT	1
OUTPUT	2
COUPLED	3

### Features

- excellent directivity, 35 dB typ.
- excellent mainline loss, 0.2 dB typ.
- excellent VSWR, 1.15:1 typ.
- rugged shielded case

### Applications

- hf communications
- ham radio
- instrumentation

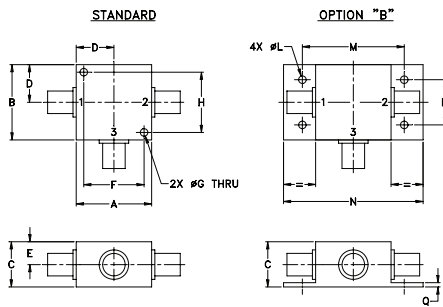
### Directional Coupler Electrical Specifications

FREQ. RANGE (MHz)	COUPLING (dB)		MAINLINE LOSS <sup>1</sup> (dB)						DIRECTIVITY (dB)						VSWR (:1)	POWER INPUT (W)		
	Nom.	Flatness	L		M		U		L		M		U			Typ.	L	MU
			Typ.	Max.	Typ.	Max.	Typ.	Max.	Typ.	Min.	Typ.	Min.	Typ.	Min.				
.03-35	15±0.5	±0.5	0.3	0.6	0.2	0.4	0.3	0.6	38	30	35	25	28	20	1.15	2.0	4.0	

L = low range [ $f_L$  to  $10 f_L$ ] M = mid range [ $10 f_L$  to  $f_U/2$ ] U = upper range [ $f_U/2$  to  $f_U$ ]

1. Mainline loss includes theoretical power loss at coupled port.

### Outline Drawing



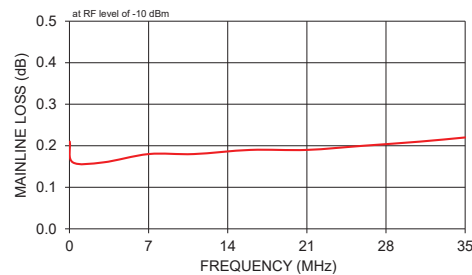
### Outline Dimensions (inch/mm)

A	B	C	D	E	F	G	H
1.25	1.25	.75	.63	.38	1.00	.125	1.000
31.75	31.75	19.05	16.00	9.65	25.40	3.18	25.40
J	K	L	M	N	P	Q	wt
--	--	.125	1.688	2.18	.75	.07	grams
--	--	3.18	42.88	55.37	19.05	1.78	70.0

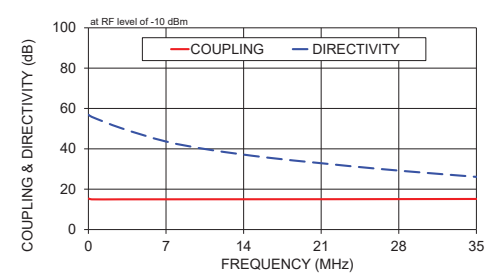
### Typical Performance Data

Frequency (MHz)	Mainline Loss (dB) In-Out	Coupling (dB) In-Cpl	Directivity (dB)	Return Loss (dB)		Cpl
				In	Out	
0.03	0.21	15.35	56.83	31.97	32.85	32.50
0.30	0.16	14.96	55.85	34.78	36.00	35.85
3.00	0.16	14.97	50.17	34.09	36.81	34.28
7.00	0.18	14.98	43.63	33.51	37.39	29.46
11.00	0.18	15.00	39.48	33.10	37.65	25.87
16.00	0.19	15.01	35.75	32.66	37.71	22.70
21.00	0.19	15.03	32.87	32.29	37.59	20.33
26.00	0.20	15.07	30.17	31.89	37.40	18.46
31.00	0.21	15.11	27.85	31.50	37.07	16.91
35.00	0.22	15.15	26.10	31.11	36.76	15.83

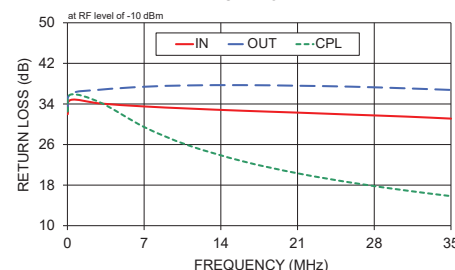
ZFDC-15-6-S+ MAINLINE LOSS



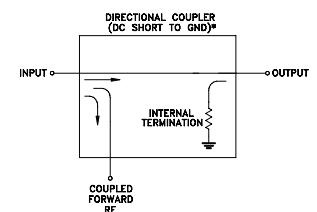
ZFDC-15-6-S+ COUPLING & DIRECTIVITY



ZFDC-15-6-S+ RETURN LOSS



### Electrical Schematic



\* ELECTRICAL SCHEMATIC IS FOR DIRECTIONAL COUPLER WITH INTERNAL TRANSFORMERS THAT ROUTES DC FROM RF PORTS TO GROUND.

### Notes

- Performance and quality attributes and conditions not expressly stated in this specification document are intended to be excluded and do not form a part of this specification document.
- Electrical specifications and performance data contained in this specification document are based on Mini-Circuit's applicable established test performance criteria and measurement instructions.
- The parts covered by this specification document are subject to Mini-Circuits standard limited warranty and terms and conditions (collectively, "Standard Terms"); Purchasers of this part are entitled to the rights and benefits contained therein. For a full statement of the Standard Terms and the exclusive rights and remedies thereunder, please visit Mini-Circuits' website at [www.minicircuits.com/WCLStore/terms.jsp](http://www.minicircuits.com/WCLStore/terms.jsp)



[www.minicircuits.com](http://www.minicircuits.com) P.O. Box 350166, Brooklyn, NY 11235-0003 (718) 934-4500 sales@minicircuits.com

REV. E  
M153690  
ZFDC-10-6+  
WZ/TD/CP/AM  
200811

# Directional Coupler

# ZFDC-15-6+

## Typical Performance Data

FREQUENCY (MHz)	INSERTION LOSS (dB)	COUPLING (dB)	DIRECTIVITY (dB)	RETURN LOSS		
				IN	(dB) OUT	CPL
0.03	0.21	15.35	56.83	31.97	32.85	32.50
0.06	0.15	14.99	55.96	33.73	35.20	34.99
0.08	0.16	14.96	55.99	34.12	35.67	35.48
0.10	0.16	14.96	55.43	34.34	35.83	35.69
0.30	0.16	14.96	55.85	34.78	36.00	35.85
0.60	0.16	14.96	54.91	34.71	36.10	35.89
1.00	0.16	14.96	54.69	34.57	36.26	35.88
2.00	0.16	14.96	52.41	34.31	36.58	35.33
3.00	0.16	14.97	50.17	34.09	36.81	34.28
4.00	0.17	14.97	48.01	33.90	37.01	33.04
5.00	0.17	14.97	46.34	33.75	37.16	31.78
6.00	0.17	14.98	44.83	33.63	37.30	30.58
7.00	0.18	14.98	43.63	33.51	37.39	29.46
8.00	0.18	14.99	42.52	33.40	37.47	28.45
9.00	0.18	14.99	41.33	33.28	37.55	27.52
10.00	0.18	14.99	40.38	33.19	37.60	26.66
11.00	0.18	15.00	39.48	33.10	37.65	25.87
12.00	0.19	15.00	38.62	33.01	37.68	25.14
13.00	0.18	15.00	37.92	32.91	37.71	24.47
14.00	0.19	15.01	37.12	32.83	37.71	23.84
15.00	0.19	15.01	36.43	32.74	37.70	23.25
16.00	0.19	15.01	35.75	32.66	37.71	22.70
17.00	0.19	15.01	35.14	32.58	37.71	22.17
18.00	0.19	15.02	34.51	32.52	37.69	21.67
19.00	0.19	15.02	33.95	32.41	37.66	21.21
20.00	0.20	15.03	33.33	32.35	37.62	20.76
21.00	0.19	15.03	32.87	32.29	37.59	20.33
22.00	0.20	15.03	32.25	32.19	37.59	19.93
23.00	0.20	15.04	31.76	32.12	37.53	19.54
24.00	0.20	15.05	31.24	32.04	37.49	19.17
25.00	0.20	15.06	30.71	31.97	37.43	18.80
26.00	0.20	15.07	30.17	31.89	37.40	18.46
27.00	0.20	15.07	29.74	31.83	37.30	18.13
28.00	0.21	15.08	29.26	31.74	37.25	17.81
29.00	0.21	15.09	28.75	31.66	37.20	17.50
30.00	0.21	15.10	28.32	31.57	37.15	17.20
31.00	0.21	15.11	27.85	31.50	37.07	16.91
32.00	0.21	15.12	27.43	31.39	37.04	16.62
33.00	0.21	15.13	26.95	31.30	36.96	16.36
34.00	0.21	15.14	26.54	31.20	36.88	16.09
35.00	0.22	15.15	26.10	31.11	36.76	15.83

REV. X1  
ZFDC-15-6+  
060718  
Page 1 of 1



IF/RF MICROWAVE COMPONENTS • ISO 9001 ISO 14001 AS 9100 CERTIFIED RoHS compliant  
P.O. Box 350166, Brooklyn, New York 11235-0003 (718) 934-4500 Fax (718) 332-4661



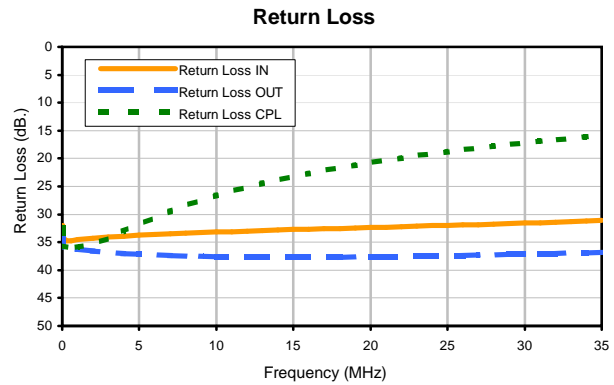
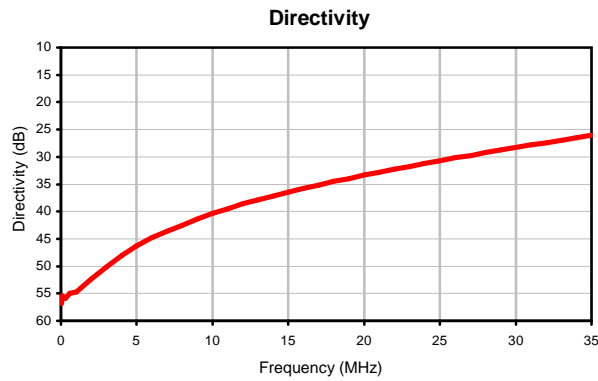
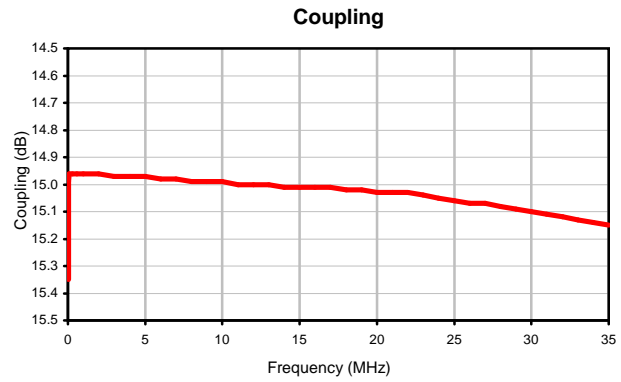
The Design Engineers Search Engine finds the model you need, Instantly • For detailed performance specs & shopping online see



# Directional Coupler

# ZFDC-15-6+

## Typical Performance Curves



REV. X1  
ZFDC-15-6+  
060718  
Page 1 of 1



IF/RF MICROWAVE COMPONENTS • ISO 9001 ISO 14001 AS 9100 CERTIFIED RoHS compliant  
P.O. Box 350166, Brooklyn, New York 11235-0003 (718) 934-4500 Fax (718) 332-4661



The Design Engineers Search Engine finds the model you need, Instantly • For detailed performance specs & shopping online see

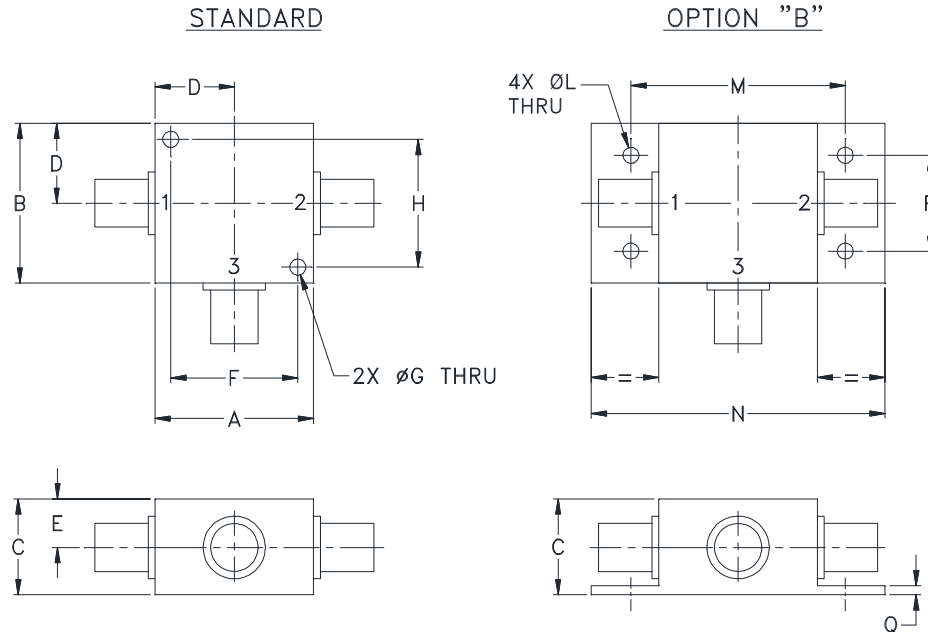


# Case Style

# K

## K18

### Outline Dimensions



CASE#	A	B	C	D	E	F	G	H	J	K	L	M	N
K18	1.25 (31.75)	1.25 (31.75)	.75 (19.05)	.63 (16.00)	.38 (9.65)	1.000 (25.40)	.125 (3.18)	1.000 (25.40)	--	--	.125 (3.18)	1.688 (42.88)	2.18 (55.37)

CASE#	P	Q	WT. GRAMS
K18	.75 (19.05)	.07 (1.78)	70.0

Dimensions are in inches (mm). Tolerances: 2 Pl.  $\pm .03$ ; 3 Pl.  $\pm .015$

#### Notes:

- Case material: Aluminum alloy.
- Case finish:  
For RoHS Case Styles: Clear chemical conversion coating, non-chrome or trivalent chrome based.
- Mounting bracket available on request. Add suffix B to part number.
- For port marking 1, 2, and 3 see specifications data sheet.
- For bracket version, option B, dimension "C" changes from .75 to .94 inches when connectors are type N.
- Refer to the individual model data sheet for the type of connectors available.

**Mini-Circuits®**

INTERNET <http://www.minicircuits.com>

P.O. Box 350166, Brooklyn, New York 11235-0003 (718) 934-4500 Fax (718) 332-4661

Distribution Centers NORTH AMERICA 800-654-7949 • 417-335-5935 • Fax 417-335-5945 • EUROPE 44-1252-832600 • Fax 44-1252-837010

Mini-Circuits ISO 9001 & ISO 14001 Certified