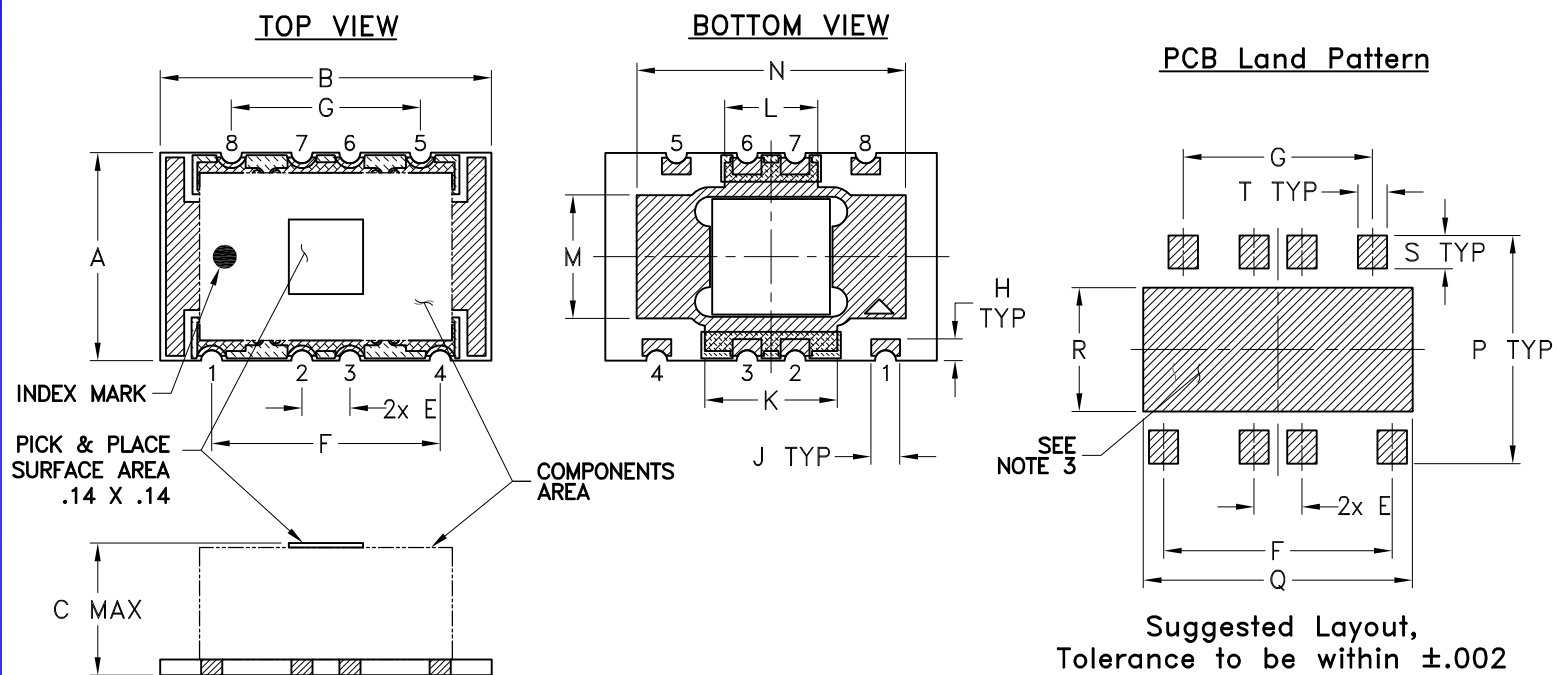


Outline Dimensions

AH1647-4



CASE#	A	B	C	D	E	F	G	H	J	K	L	M	N
AH1647-4	.433 (11.00)	.690 (17.53)	.275 (6.99)	- -	.100 (2.54)	.476 (12.09)	.394 (10.01)	.045 (1.14)	.060 (1.52)	.276 (7.01)	.194 (4.93)	.257 (6.53)	.560 (14.22)
CASE #	P	Q	R	S	T	WT, GRAM							
AH1647-4	.475 (12.07)	.561 (14.25)	.258 (6.55)	.069 (1.75)	.061 (1.55)	2.80							

Dimensions are in inches (mm). Tolerances: 2 Pl.±.01; 3 Pl. ±.005

Notes:

- Case material: Nickel Silver alloy.
- Base material: Printed wiring laminate.
- Termination finish: Tin copper solder alloy up to 0.07% Nickel. All models, (+) suffix.



P.O. Box 350166, Brooklyn, New York 11235-0003 (718) 934-4500 Fax (718) 332-4661 For detailed performance specs & shopping online see Mini-Circuits web site



The Design Engineers Search Engine Provides ACTUAL Data Instantly From MINI-CIRCUITS At: www.minicircuits.com

RF/IF MICROWAVE COMPONENTS