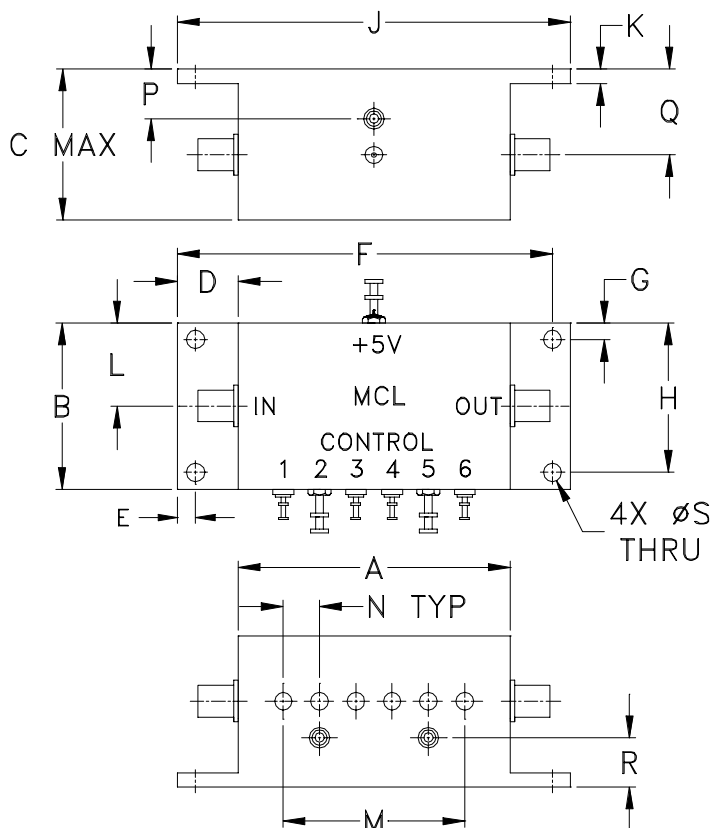


Outline Dimensions



| CASE #. | A | B | C | D | E | F | G | H | J | K | L | M | N | P |
|---------|-----------------|-----------------|-----------------|----------------|----------------|------------------|----------------|------------------|-----------------|---------------|----------------|-----------------|---------------|----------------|
| AR214 | 2.25 (57.15) | 1.38 (35.05) | 1.25 (31.75) | .50 (12.70) | .150 (3.81) | 3.100 (78.74) | .138 (3.51) | 1.238 (31.45) | 3.25 (82.55) | .12 (3.05) | .69 (17.53) | 1.50 (38.10) | .30 (7.62) | .41 (10.41) |

| CASE #. | Q | R | S | WT, GRAM |
|---------|----------------|----------------|----------------|----------|
| AR214 | .71 (18.03) | .41 (10.41) | .150 (3.81) | 112 |

Dimensions are in inches (mm). Tolerances: 2Pl. $\pm .03$; 3Pl. $\pm .015$

Notes:

- Case material: Aluminum alloy.
- Case finish:
For RoHS Case Styles: Clear chemical conversion coating, non-chrome or trivalent chrome based.