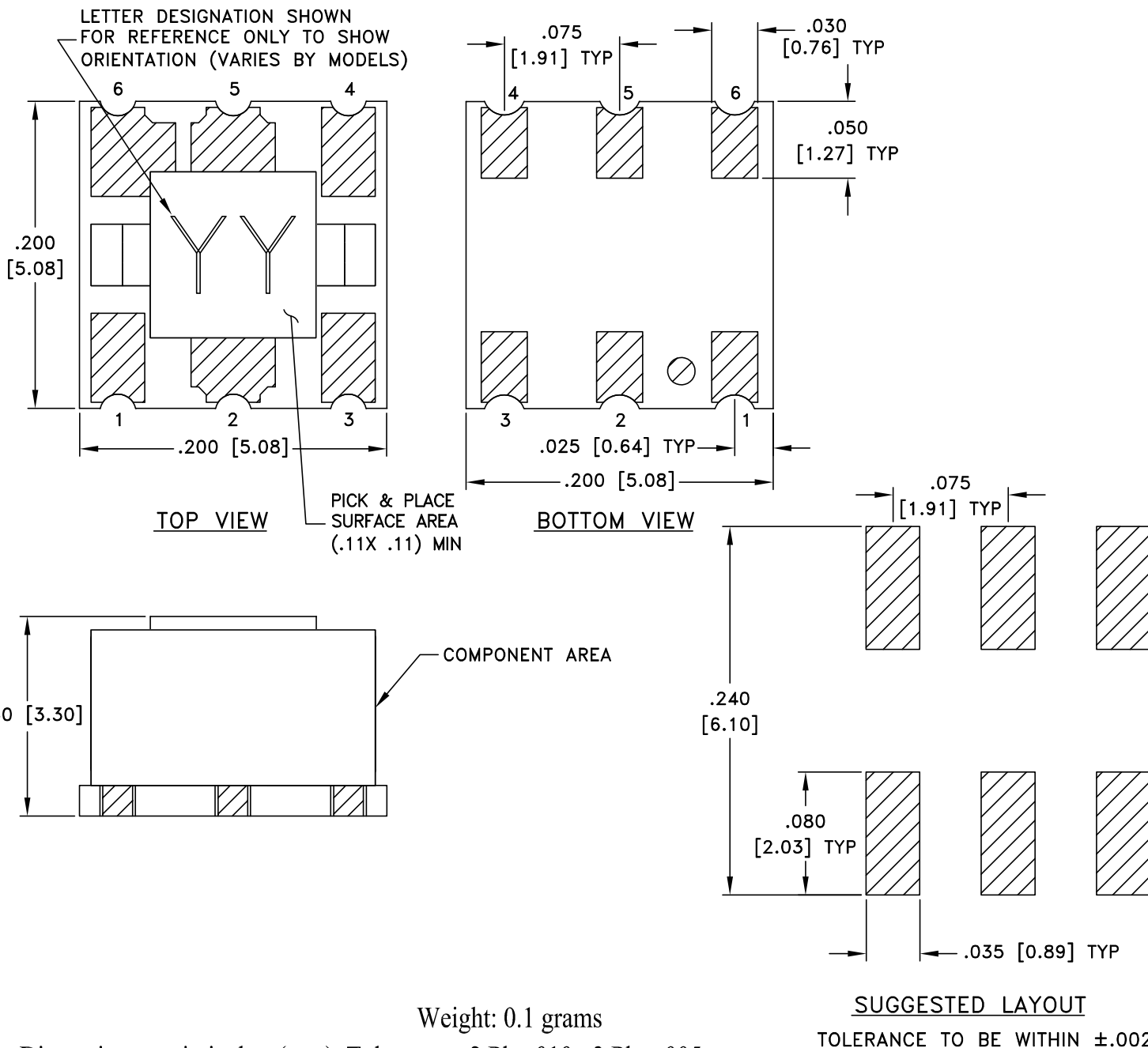


Outline Dimensions

AT3081



Weight: 0.1 grams

Dimensions are in inches (mm). Tolerances: 2 Pl. ±.010; 3 Pl. ±.005

Notes:

1. Base material: Printed wiring laminate.
2. Termination finish:
 - For RoHS Case Style: 3-5 μ inch (.08-.13 microns) Gold over 120-240 μ inch (3.05-6.10 microns) Nickel plate.
 - For RoHS-5 Case Style: Tin-Lead plate. All models, no (+) suffix.



P.O. Box 350166, Brooklyn, New York 11235-0003 (718) 934-4500 Fax (718) 332-4661 For detailed performance specs & shopping online see Mini-Circuits web site

The Design Engineers Search Engine Provides ACTUAL Data Instantly From MINI-CIRCUITS At: www.minicircuits.com



RF/IF MICROWAVE COMPONENTS