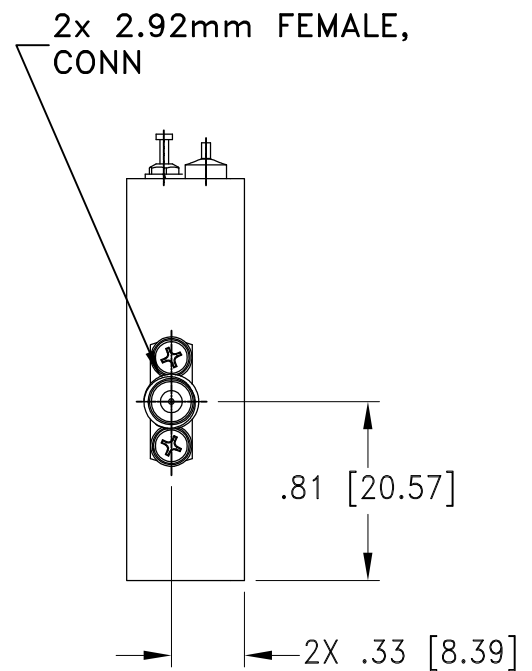
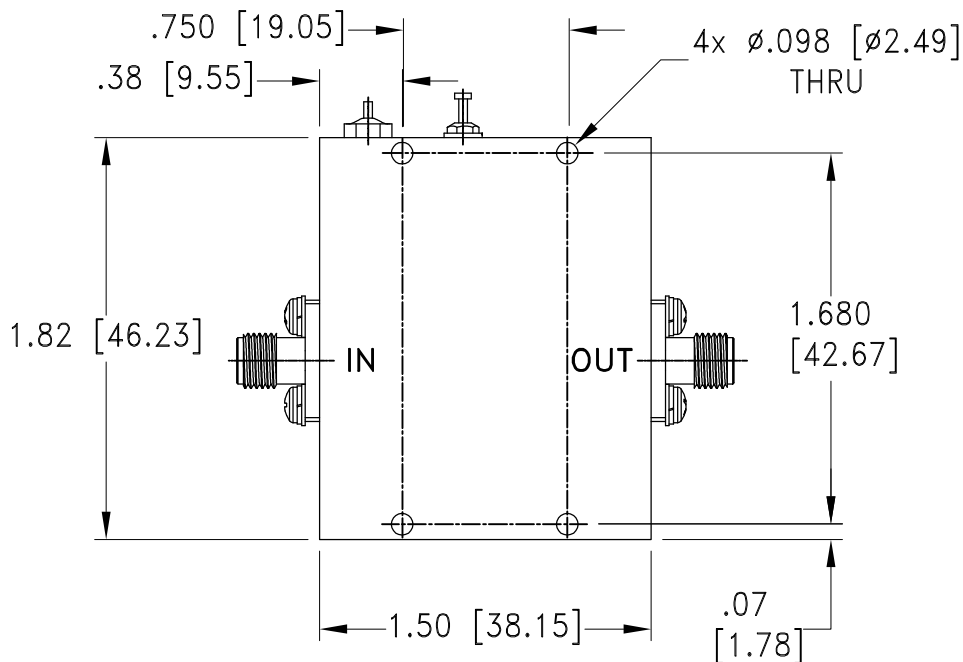
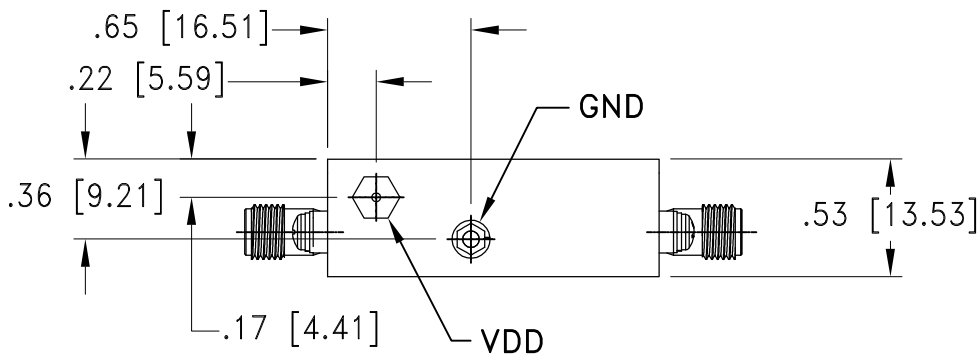


## Outline Dimensions

AV2554-1



Weight: 140 grams

Dimensions are in inches (mm). Tolerances: 2 Pl.  $\pm$ .03; 3 Pl.  $\pm$ .015

### Notes:

1. Case material: Brass alloy
2. Case finish: Gold plating 20  $\mu$ inches, over Nickel plating 100  $\mu$ inches.

**Mini-Circuits**  
ISO 9001 ISO 14001 CERTIFIED

ALL NEW  
minicircuits.com

P.O. Box 350166, Brooklyn, New York 11235-0003 (718) 934-4500 Fax (718) 332-4661 For detailed performance specs & shopping online see Mini-Circuits web site



The Design Engineers Search Engine Provides ACTUAL Data Instantly From MINI-CIRCUITS At: [www.minicircuits.com](http://www.minicircuits.com)

RF/IF MICROWAVE COMPONENTS