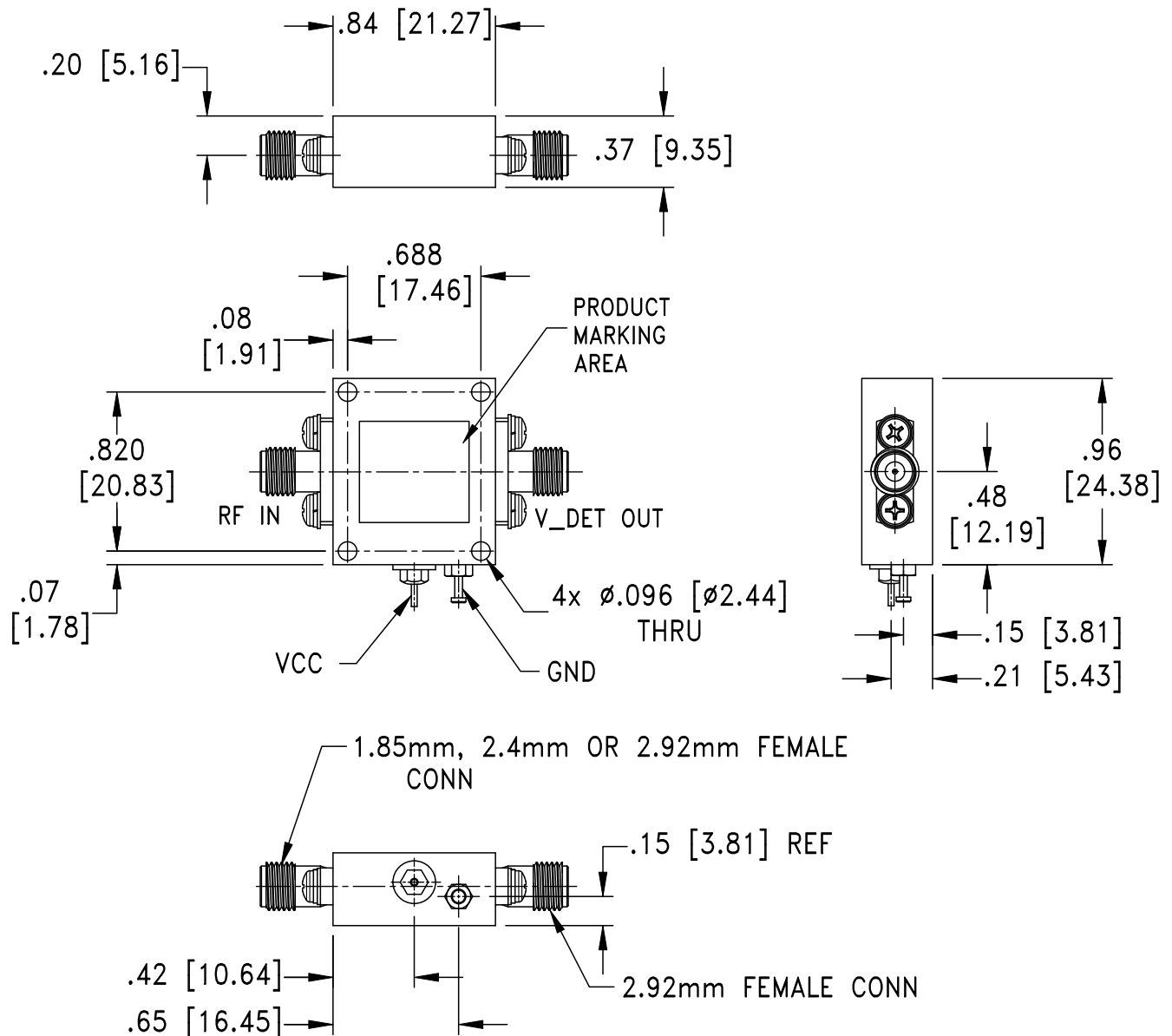


Outline Dimensions

AV2578-4



Weight: 45 grams

Dimensions are in inches (mm). Tolerances: 2 Pl. ± 0.03 ; 3 Pl. ± 0.015

Notes:

1. Case material: Brass alloy
2. Case finish: Gold plating 20 μ inches, over Nickel plating 100 μ inches.

Mini-Circuits®
ISO 9001 ISO 14001 CERTIFIED

ALL NEW
minicircuits.com

P.O. Box 350166, Brooklyn, New York 11235-0003 (718) 934-4500 Fax (718) 332-4661 For detailed performance specs & shopping online see Mini-Circuits web site



The Design Engineers Search Engine Provides ACTUAL Data Instantly From MINI-CIRCUITS At: www.minicircuits.com

RF/IF MICROWAVE COMPONENTS