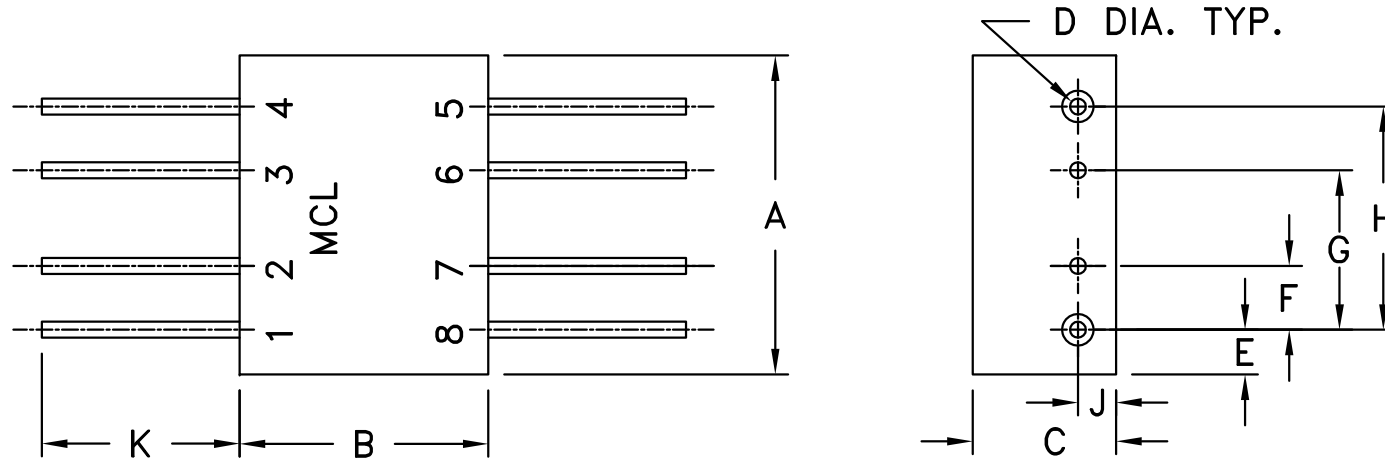


NOTE: PIN NUMBERS DO NOT APPEAR ON UNIT. FOR REFERENCE ONLY.



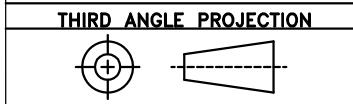
CASE NO.	A	B	C	D	E	F	G	H	J	K	NOTES	WT. GRAMS
BB48	.50 (12.70)	.39 (9.91)	.225 (5.72)	.025 (0.63)	.07 (1.78)	.100 (2.54)	.250 (6.35)	.350 (8.89)	.06 (1.52)	.31 (7.87)	A1,E1	3.0

REFER TO GN-219 FOR TEXT OF NOTES.

UNLESS OTHERWISE SPECIFIED	INITIALS	DATE
DIMENSIONS ARE IN INCHES	PM	10.16.95
TOLERANCES ON:	CHECKED	
2 PL. DECIMALS ± .03	APPROVED	
3 PL. DECIMALS ± .015		
ANGLES ±		
FRACTIONS ±		

 **Mini-Circuits** Mini-Circuit Laboratory  
13 Neptane Avenue  
Brooklyn NY 11235

CATALOG OUTLINE "BB"



OR	M42441	CHANGED PART NO.	DATE	DR	PM	AUTH
REV	ECN No.	DESCRIPTION	DATE	DR	AUTH	
REVISIONS						

Mini-Circuits  
THIS DOCUMENT AND ITS CONTENTS ARE THE PROPERTY OF MINI-CIRCUITS LABORATORY. EXCEPT FOR USE EXPRESSLY GRANTED, IN WRITING, TO ITS VENDORS, VENDOR AND THE UNITED STATES GOVERNMENT, MINI-CIRCUITS LABORATORY RESERVES ALL PROPRIETARY DESIGN, USE, MANUFACTURING AND REPRODUCTION RIGHTS THEREOF. THESE CONTENTS SHALL NOT BE USED, DUPLICATED OR DISCLOSED TO ANY OUTSIDE PARTY, IN WHOLE OR IN PART, WITHOUT WRITTEN PERMISSION OF MINI-CIRCUITS.

SIZE	CODE IDENT	DRAWING NO:	REV:
B	15542	98-BB	OR
FILE:	98-BB	SCALE: NONE	SHEET: 1 OF 1

BSHEETA1.DWG REV:A DATE:01/12/94