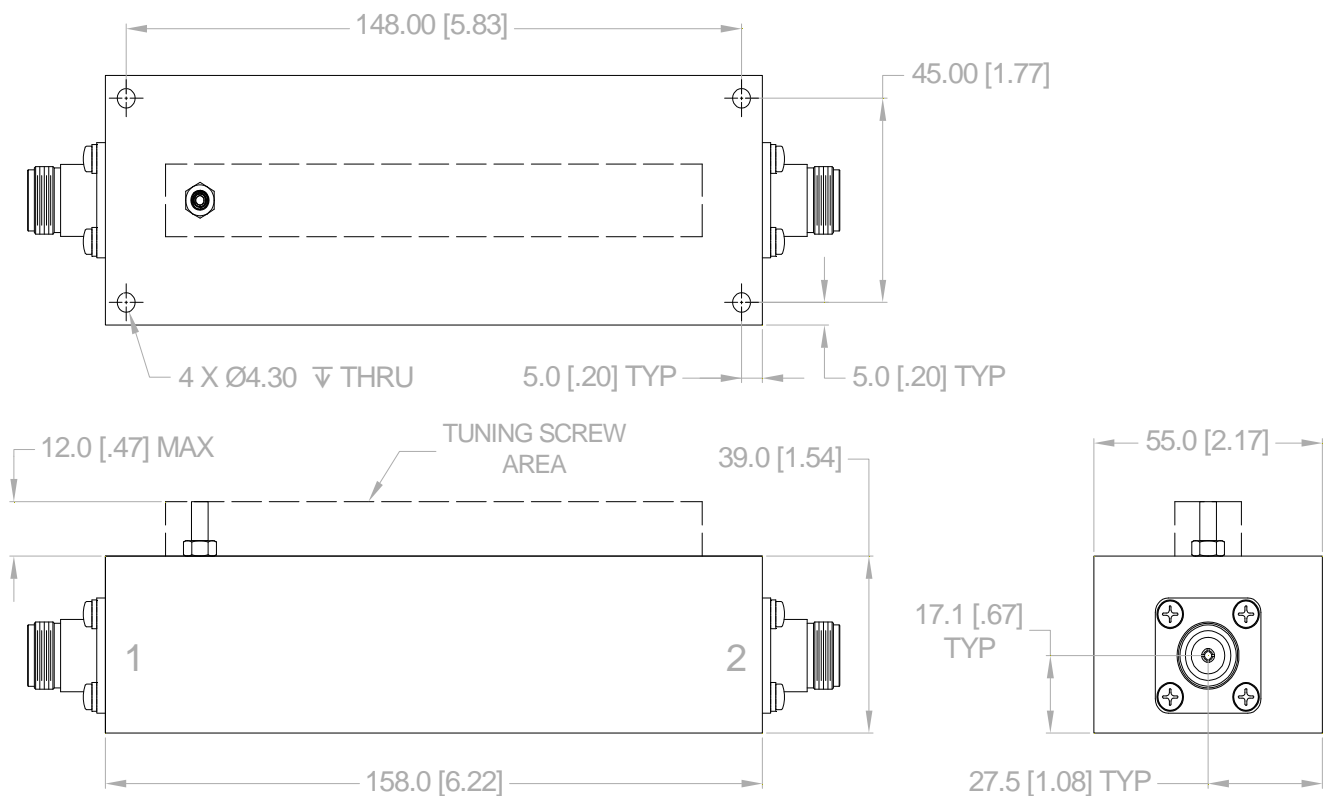


Outline Dimensions

BBD3778



Dimensions are in mm (inches). Tolerances: 1 Pl. ± 1.5 (0.06); 2 Pl. ± 0.38 (0.015)

Notes:

1. Case material: Aluminum.
2. Case Finish: silver plating
3. Unit Weight: 565 grams.
4. Refer to the individual model data sheet for the type of connectors available.

Mini-Circuits®
ISO 9001 ISO 14001 CERTIFIED

ALL NEW
minicircuits.com

P.O. Box 350166, Brooklyn, New York 11235-0003 (718) 934-4500 Fax (718) 332-4661 For detailed performance specs & shopping online see Mini-Circuits web site



The Design Engineers Search Engine Provides ACTUAL Data Instantly From MINI-CIRCUITS At: www.minicircuits.com

RF/IF MICROWAVE COMPONENTS