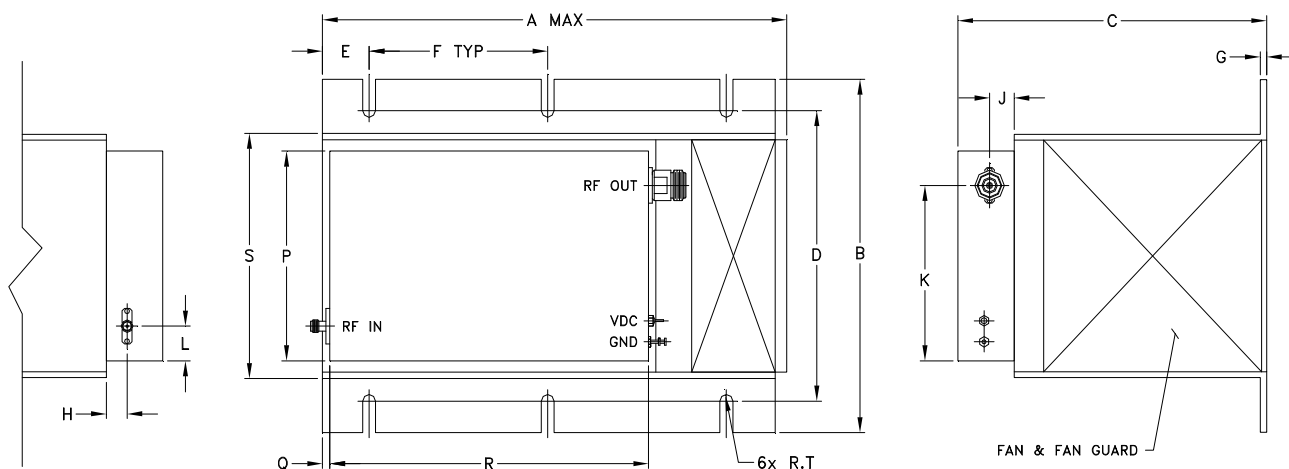
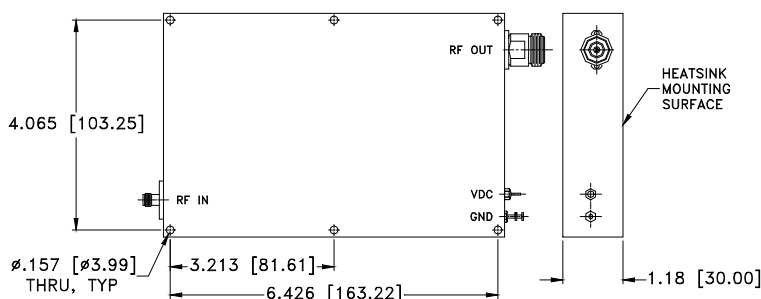


### Outline Dimensions



### MOUNTING INFORMATION FOR MODELS WITHOUT HEATSINK



CASE#	A	B	C	D	E	F	G	H	J	K	L	M	N
BT1689	9.85 (250.19)	7.3 (185.42)	6.5 (165.10)	6.00 (152.40)	.98 (24.89)	3.75 (95.25)	.13 (3.30)	.43 (11.0)	.51 (13.00)	3.62 (91.85)	.72 (18.29)	-	-

CASE#	P	Q	R	S	T	WT, GRAM	WT WITHOUT HEATSINK, GRAM
BT1689	4.33 (109.98)	.2 (5.08)	6.69 (169.93)	5.1 (129.54)	.136 (3.45)	4565	880

Dimensions in inches (mm). Tolerances: 1 Pl.  $\pm .1$ ; 2Pl.  $\pm .03$ ; 3 Pl.  $\pm .015$

### Notes:

- Case material: Aluminum alloy.
- Finish:  
For RoHS Case Styles: Clear Chemical conversion coating, non-chrome or trivalent chrome based.
- Heatsink finish: Black anodize.
- Refer to the individual model data sheet for the type of connectors available.
- Recommended screws for mounting model without heat sink on 3/32" thick sheet: #6-32, 1.50" Length.
- Shape of connector flange may vary.



P.O. Box 350166, Brooklyn, New York 11235-0003 (718) 934-4500 Fax (718) 332-4661 For detailed performance specs & shopping online see Mini-Circuits web site



The Design Engineers Search Engine Provides ACTUAL Data Instantly From MINI-CIRCUITS At: [www.minicircuits.com](http://www.minicircuits.com)

RF/IF MICROWAVE COMPONENTS