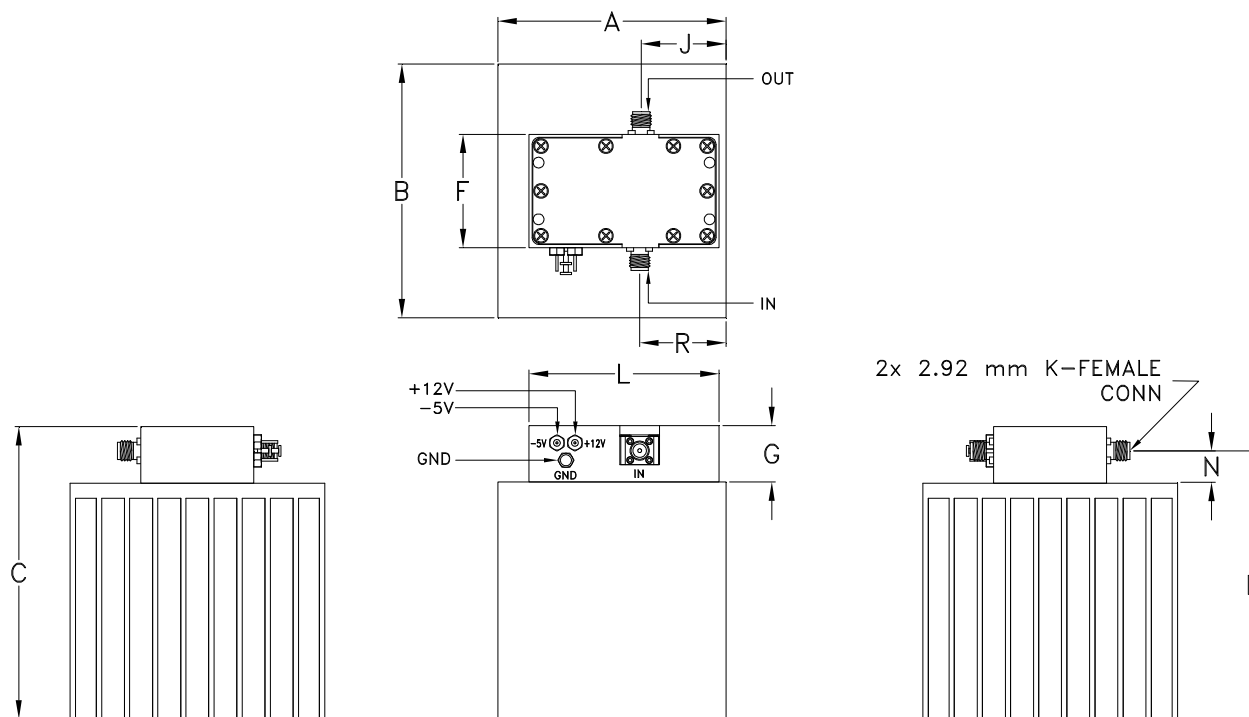
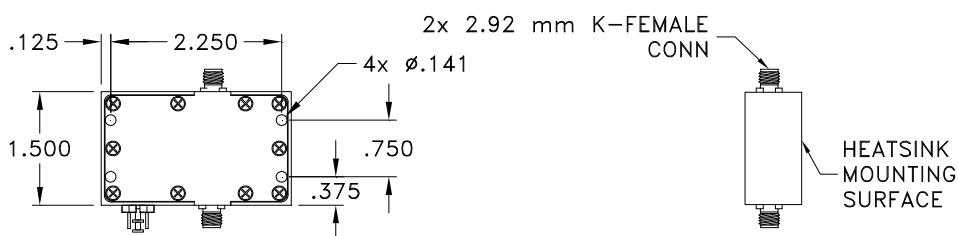


## Outline Dimensions

CP1973



### MOUNTING INFORMATION OF MODEL WITHOUT HEATSINK



| CASE#  | A               | B               | C               | D               | E        | F               | G               | H        | J               | K        | L              | M        | N               |
|--------|-----------------|-----------------|-----------------|-----------------|----------|-----------------|-----------------|----------|-----------------|----------|----------------|----------|-----------------|
| CP1973 | 3.00<br>(76.20) | 3.36<br>(85.34) | 3.87<br>(98.30) | 3.55<br>(90.17) | --<br>-- | 1.50<br>(38.10) | .747<br>(18.97) | --<br>-- | 1.15<br>(29.21) | --<br>-- | 2.50<br>(63.5) | --<br>-- | .415<br>(10.54) |

| CASE#  | P        | Q        | R               | S        | T        | WT. GRAMS | WT. WITHOUT HEATSINK GRAMS |
|--------|----------|----------|-----------------|----------|----------|-----------|----------------------------|
| CP1973 | --<br>-- | --<br>-- | 1.17<br>(29.72) | --<br>-- | --<br>-- | 595       | 135                        |

Dimensions are in inches (mm). Tolerances: 2 Pl.  $\pm .03$ ; 3 Pl.  $\pm .015$

### Notes:

1. Case material: Aluminum alloy.
2. Case finish: For RoHS Case Styles: Clear chemical conversion coating, non-chrome or trivalent chrome base.
3. Heat sink finish: Black anodize if supplied with heat sink.



P.O. Box 350166, Brooklyn, New York 11235-0003 (718) 934-4500 Fax (718) 332-4661 For detailed performance specs & shopping online see Mini-Circuits web site



The Design Engineers Search Engine Provides ACTUAL Data Instantly From MINI-CIRCUITS At: [www.minicircuits.com](http://www.minicircuits.com)

RF/MICROWAVE COMPONENTS