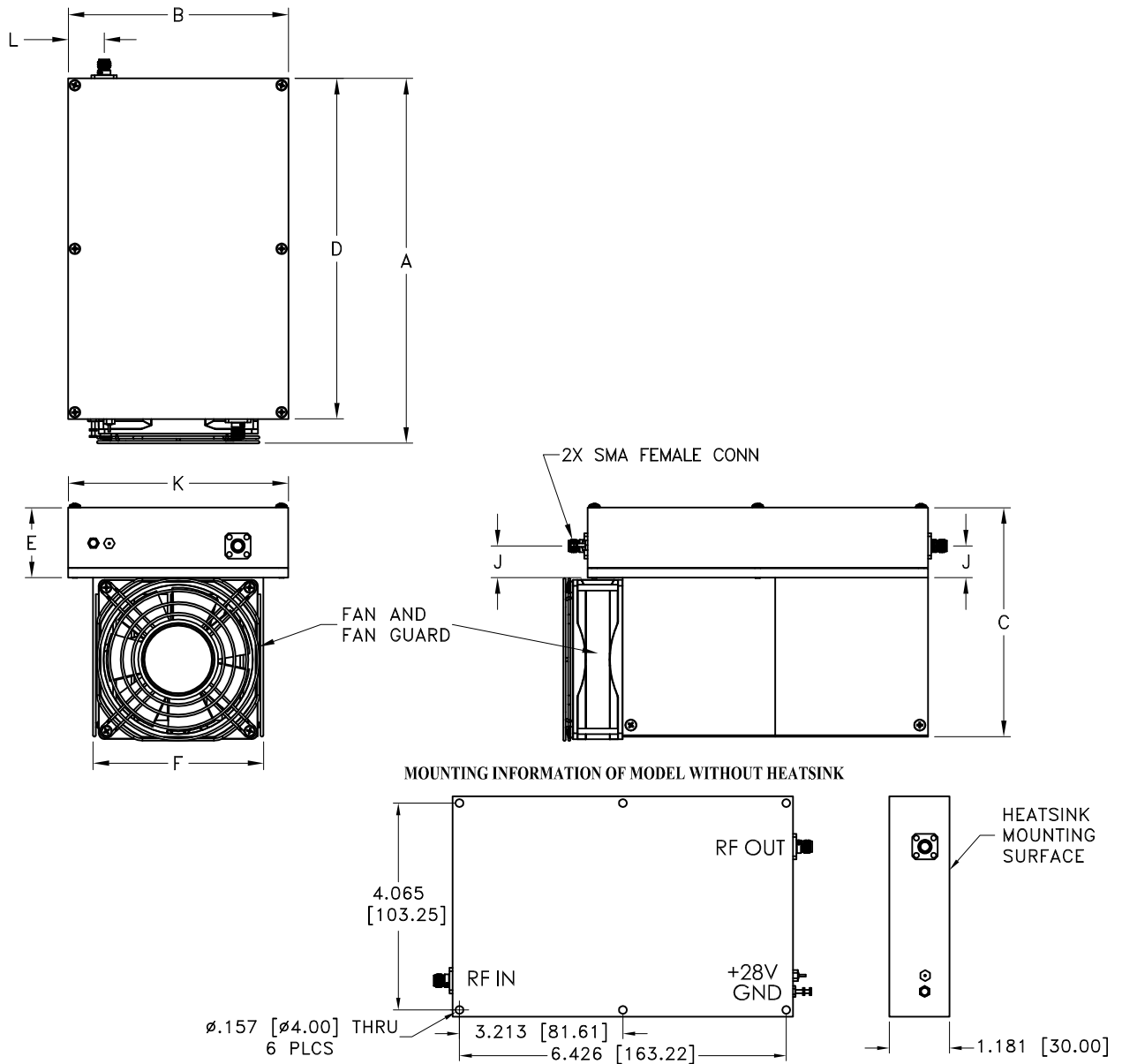


Outline Dimensions

CP2548-2



CASE#	A	B	C	D	E	F	G	H	J	K	L	WT. GRAMS	WT. WITHOUT HEATSINK GRAMS
CP2548-2	7.25 (184.15)	4.33 (110.0)	4.58 (116.33)	6.69 (170.0)	1.38 (35.05)	3.36 (85.34)	--	--	.62 (15.65)	3.34 (84.80)	.71 (18.00)	2041	880

Dimensions are in inches (mm). Tolerances: 2 Pl. $\pm .03$; 3 Pl. $\pm .015$

Notes:

- Case material: Aluminum alloy
- Finish:
For RoHS Case Styles: Clear Chemical conversion coating, non-chrome or trivalent chrome based.
- Heat sink finish: Black anodize.
- Refer to the individual model data sheet for the type of connectors available.
- Recommended screws for mounting model without heat sink on 3/32" thick sheet: #6-32, 1.50" Length.
- Shape of connector flange may vary.

Mini-Circuits
ISO 9001 ISO 14001 CERTIFIED

ALL NEW
minicircuits.com

P.O. Box 350166, Brooklyn, New York 11235-0003 (718) 934-4500 Fax (718) 332-4661 For detailed performance specs & shopping online see Mini-Circuits web site



The Design Engineers Search Engine Provides ACTUAL Data Instantly From MINI-CIRCUITS At: www.minicircuits.com

RF/IF MICROWAVE COMPONENTS