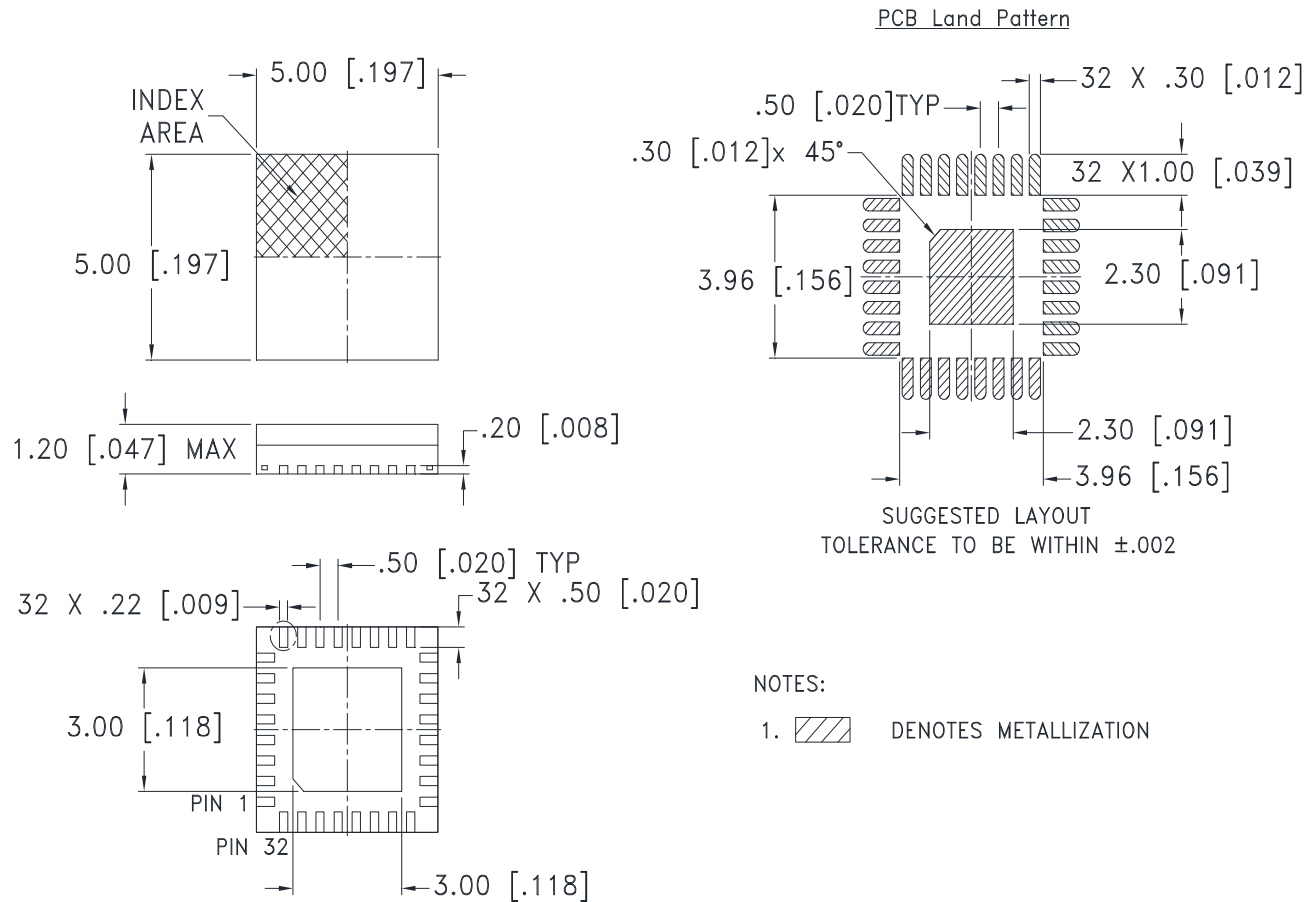


Outline Dimensions

DG1677-4



Weight: 0.1 Grams

Dimensions are in mm(inches). Tolerances: 2 Pl. $\pm .25(.01)$; 3 Pl. $\pm .127(.005)$

Notes:

1. Case material: Plastic.
2. Termination finish: PPF (NiPdAu Plating 0.5 μm /0.02 μm /0.05 μm)



P.O. Box 350166, Brooklyn, New York 11235-0003 (718) 934-4500 Fax (718) 332-4661 For detailed performance specs & shopping online see Mini-Circuits web site



The Design Engineers Search Engine Provides ACTUAL Data Instantly From MINI-CIRCUITS At: www.minicircuits.com

RF/IF MICROWAVE COMPONENTS