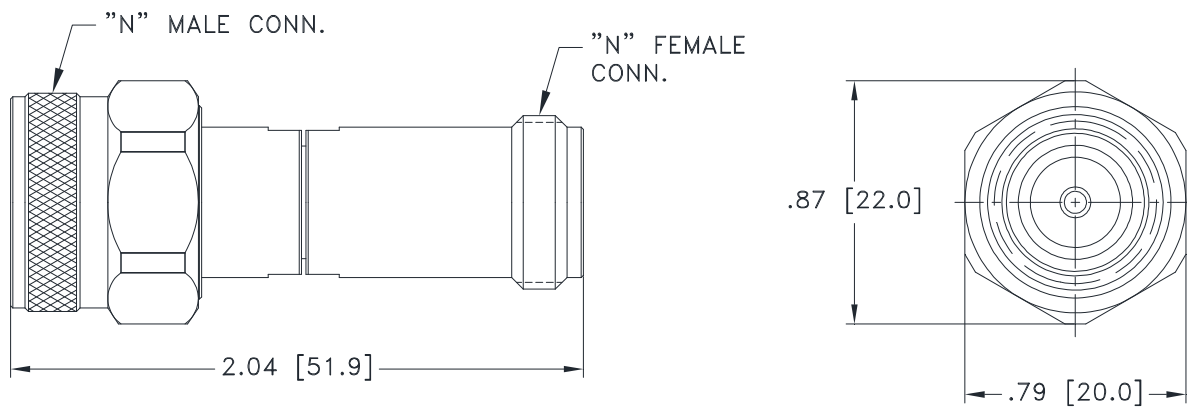


## Outline Dimensions

DJ1028-2



Weight: 52.6 grams

Dimensions are in inches (mm). Tolerances: 2Pl.  $\pm .03$ ; 3Pl.  $\pm .015$

### Notes:

1. Case material: Stainless Steel
2. Case finish: Passivation