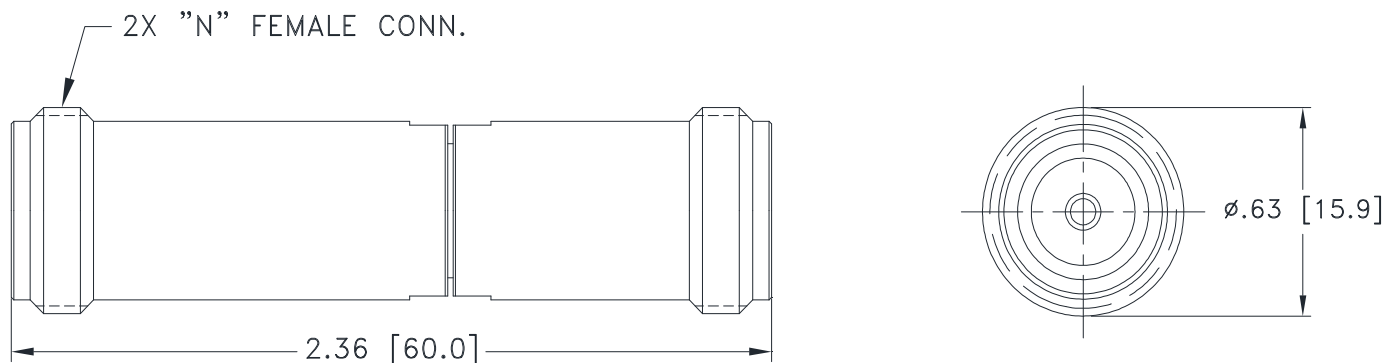


Outline Dimensions

DJ1092-1



Weight: 52.63 grams

Dimensions are in inches (mm). Tolerances: 2Pl. ± .03; 3Pl. ± .015

Notes:

1. Case material: Stainless Steel
2. Case finish: Passivation