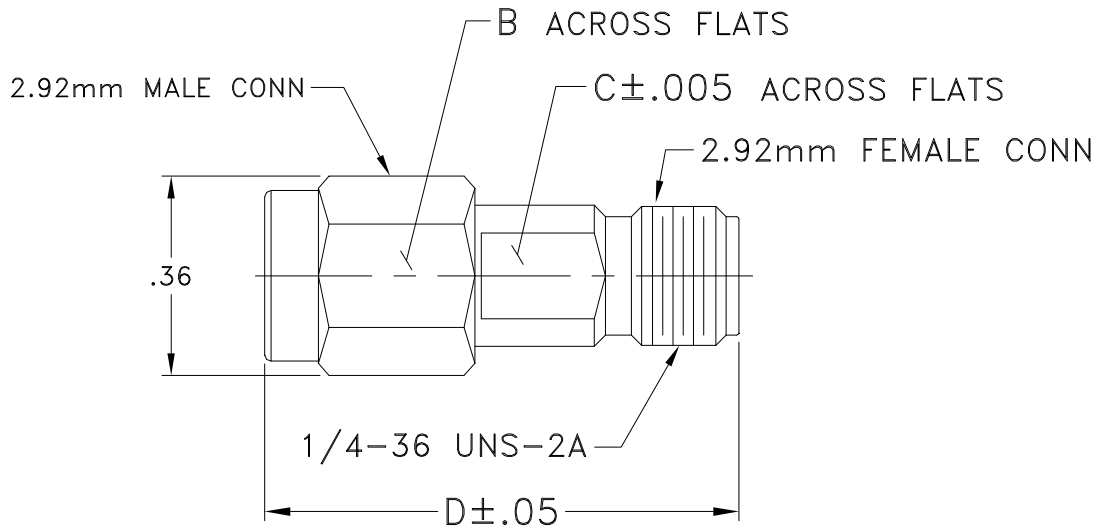


DJ1861-1

Outline Dimensions



CASE #	A	B	C	D	E	WT. GRAM
DJ1861-1	.36 (9.14)	.312 (7.93)	.281 (7.14)	.87 (22.10)	-- --	4.87

Dimensions are in inches (mm). Tolerances: 2 Pl. ± .03; 3Pl. + .015

Notes:

1. Case material:Stainless Steel.
2. Finish: Passivation.



P.O. Box 350166, Brooklyn, New York 11235-0003 (718) 934-4500 Fax (718) 332-4661 For detailed performance specs & shopping online see Mini-Circuits web site



The Design Engineers Search Engine Provides ACTUAL Data Instantly From MINI-CIRCUITS At: www.minicircuits.com

RF/IF MICROWAVE COMPONENTS