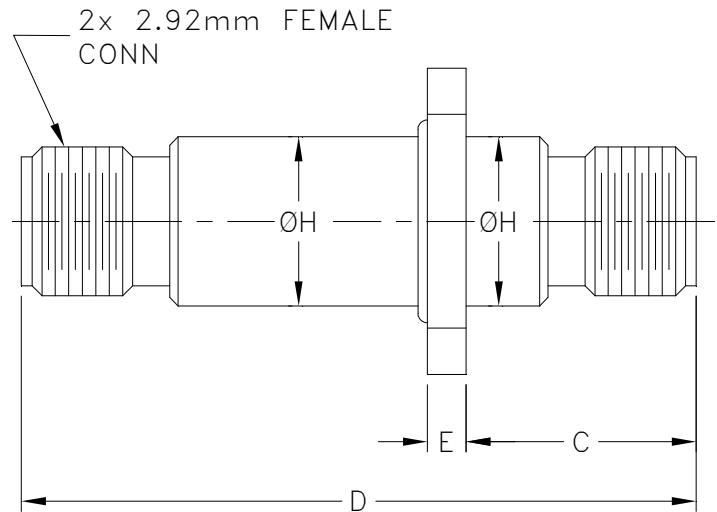
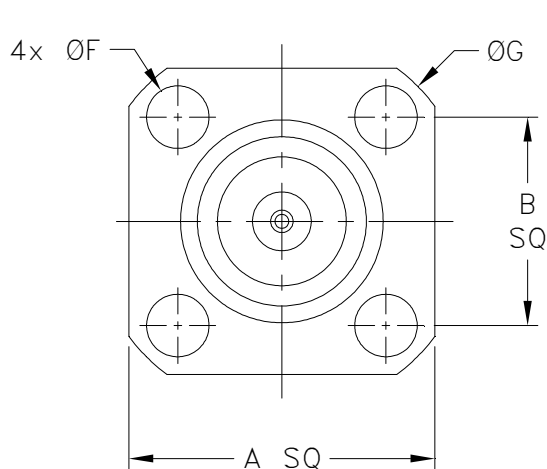


### Outline Dimensions



CASE #	A	B	C	D	E	F	G	H	WT. GRAM
DJ2261	.50 (12.7)	.339 (8.6)	.38 (9.6)	1.10 (28.0)	.06 (1.6)	.102 (2.6)	.622 (15.8)	.276 (7.0)	5.6

Dimensions are in inches (mm). Tolerances: 2 Pl.  $\pm .002$ ; 3Pl.  $+.001$

#### Notes:

1. Case material: Stainless Steel.
2. Finish: Passivation.