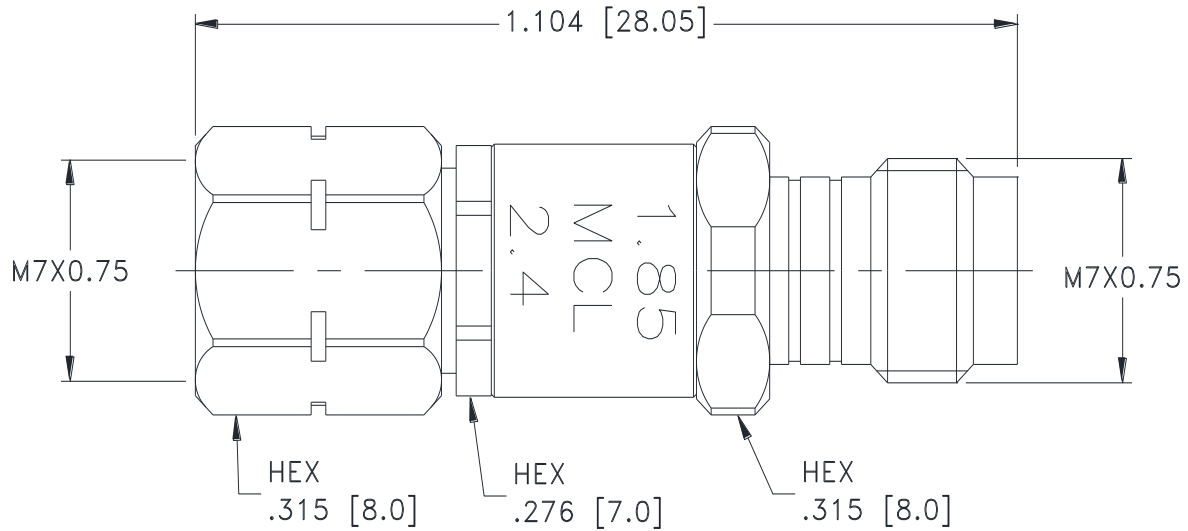


### Outline Dimensions



**Weight: 5.0 grams**

**Dimensions are in inches (mm). Tolerances: 2 Pl.  $\pm$  .030; 3Pl. + .015**

#### Notes:

1. Case material: Stainless Steel.
2. Finish: Passivation.



P.O. Box 350166, Brooklyn, New York 11235-0003 (718) 934-4500 Fax (718) 332-4661 For detailed performance specs & shopping online see Mini-Circuits web site



The Design Engineers Search Engine Provides ACTUAL Data Instantly From MINI-CIRCUITS At: [www.minicircuits.com](http://www.minicircuits.com)

RF/IF MICROWAVE COMPONENTS