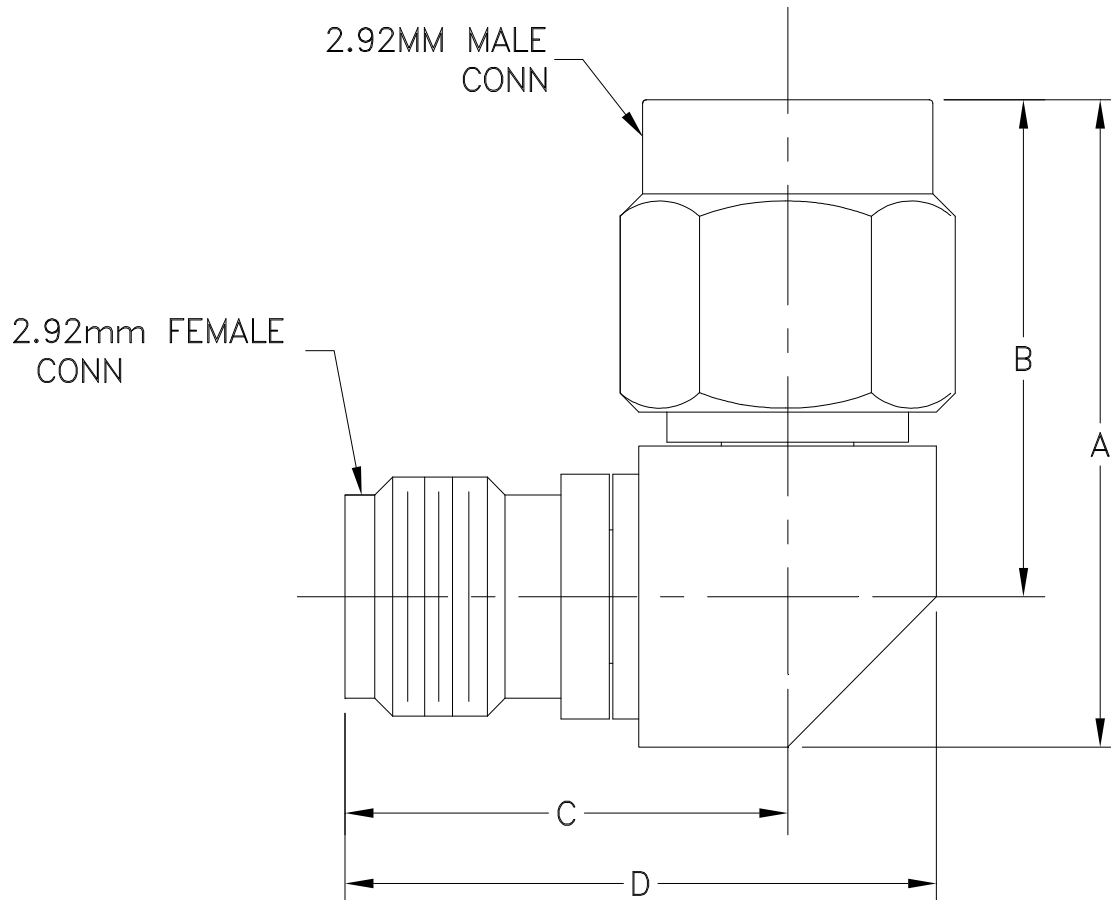


Outline Dimensions



CASE#	A	B	C	D	E	WT. GRAM
DJ2442-3	.677 (17.20)	.520 (13.20)	.468 (11.90)	.626 (15.90)	- -	7.00

Dimensions are in inches (mm). Tolerances: 2 Pl. $\pm .03$; 3 Pl. $\pm .015$

Note:

1. Case material: Brass Alloy
2. Finish: Gold Plating



P.O. Box 350166, Brooklyn, New York 11235-0003 (718) 934-4500 Fax (718) 332-4661 For detailed performance specs & shopping online see Mini-Circuits web site



The Design Engineers Search Engine Provides ACTUAL Data Instantly From MINI-CIRCUITS At: www.minicircuits.com

RF/IF MICROWAVE COMPONENTS