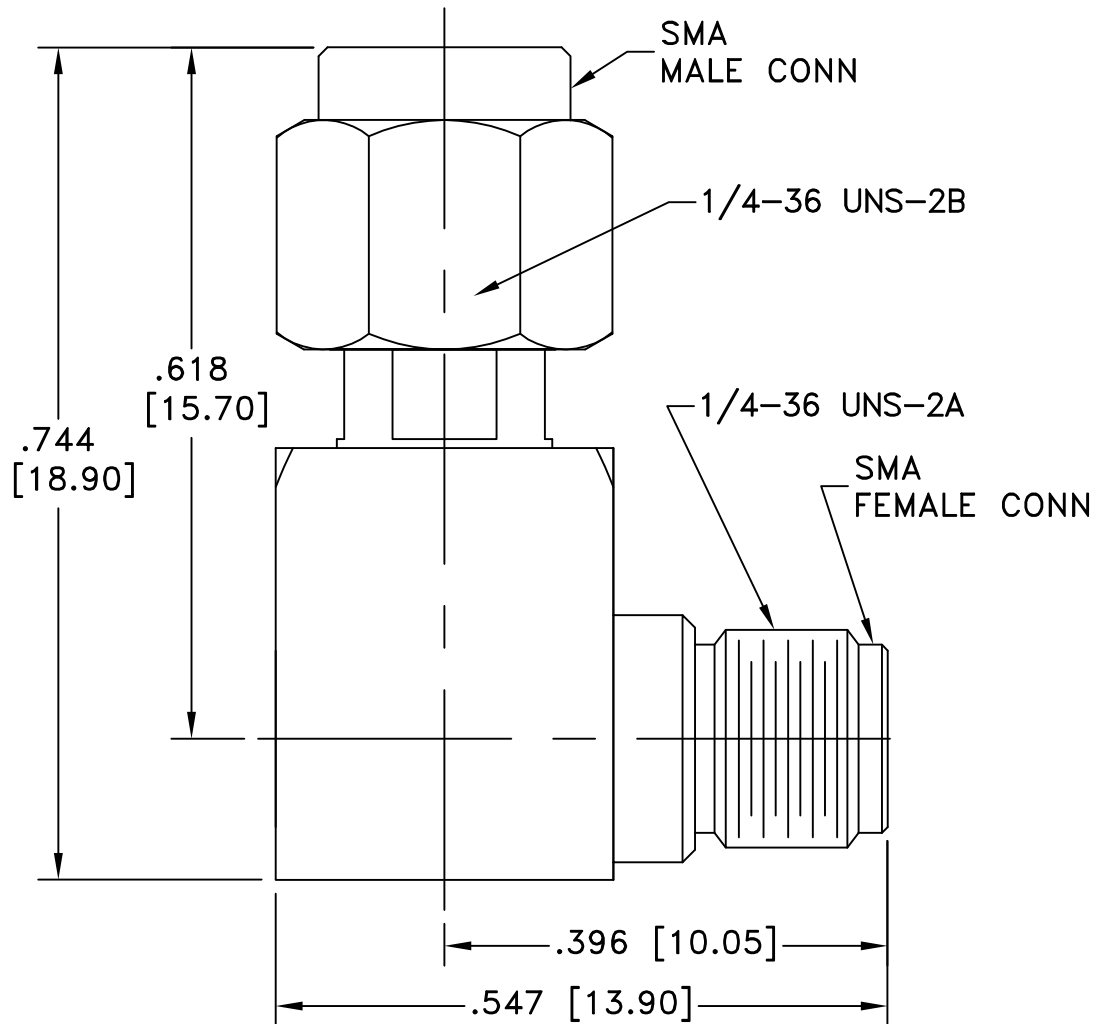


# Case Style

DJ

## Outline Dimensions

DJ2442-7



Weight: 6.5 grams

Dimensions are in inches (mm). Tolerances: 2 Pl.  $\pm 0.03$ ; 3 Pl.  $\pm 0.015$

### Note:

1. Case material: Tri-metal Alloy

 **Mini-Circuits**<sup>®</sup>  
ISO 9001 ISO 14001 CERTIFIED

ALL NEW  
 minicircuits.com

P.O. Box 350166, Brooklyn, New York 11235-0003 (718) 934-4500 Fax (718) 332-4661 For detailed performance specs & shopping online see Mini-Circuits web site



The Design Engineers Search Engine Provides ACTUAL Data Instantly From MINI-CIRCUITS At: [www.minicircuits.com](http://www.minicircuits.com)

RF/IF MICROWAVE COMPONENTS