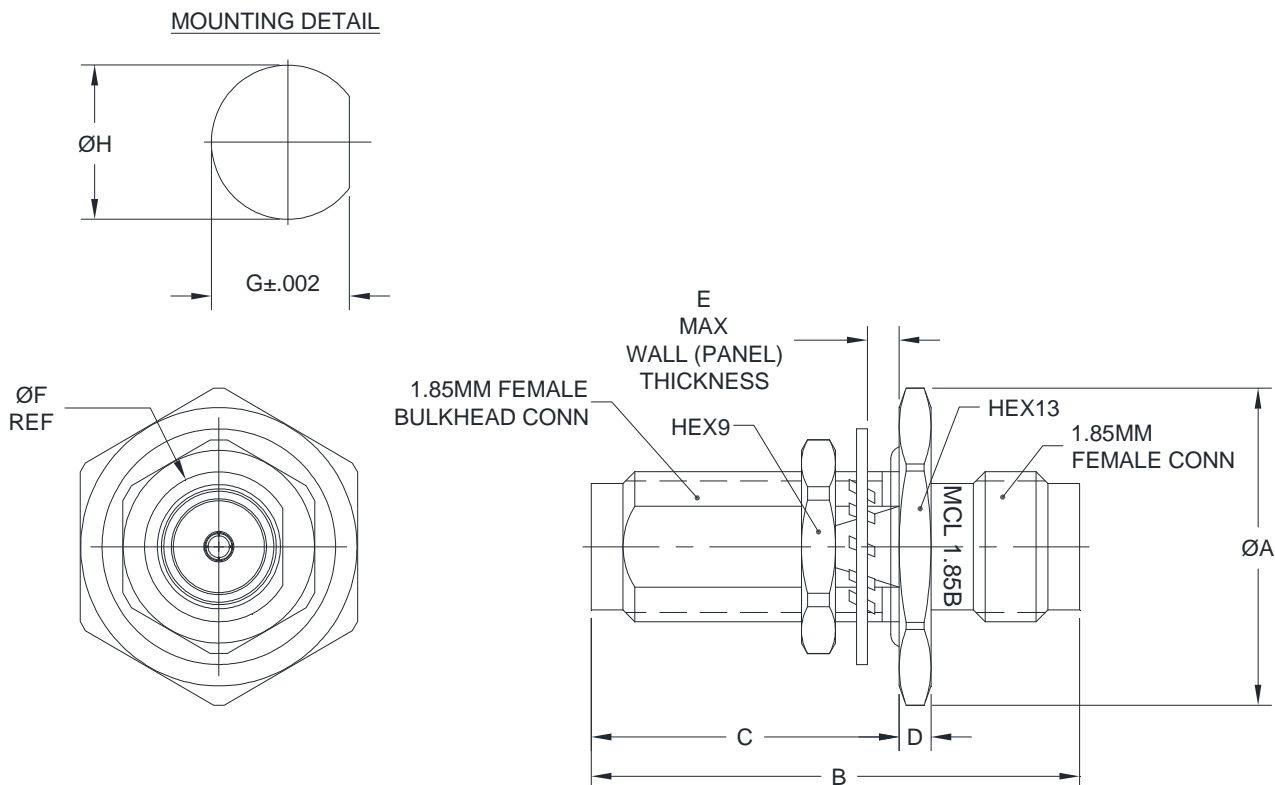


## OUTLINE DIMENSIONS

DJ2477-3



CASE#	A	B	C	D	E	F	G	H	WT. GRAM
DJ2477-3	.58 (14.8)	.91 (23.0)	.57 (14.5)	.06 (1.5)	.22 (5.5)	.275 (7.0)	.26 (6.5)	.283 (7.2)	6

**Dimensions are in inches (mm). Tolerances: 2 Pl.  $\pm .030$ [0.76]; 3 Pl.  $\pm .015$ [0.38]**

### Notes:

1. Case material: Stainless steel.
2. Finish: Passivation.