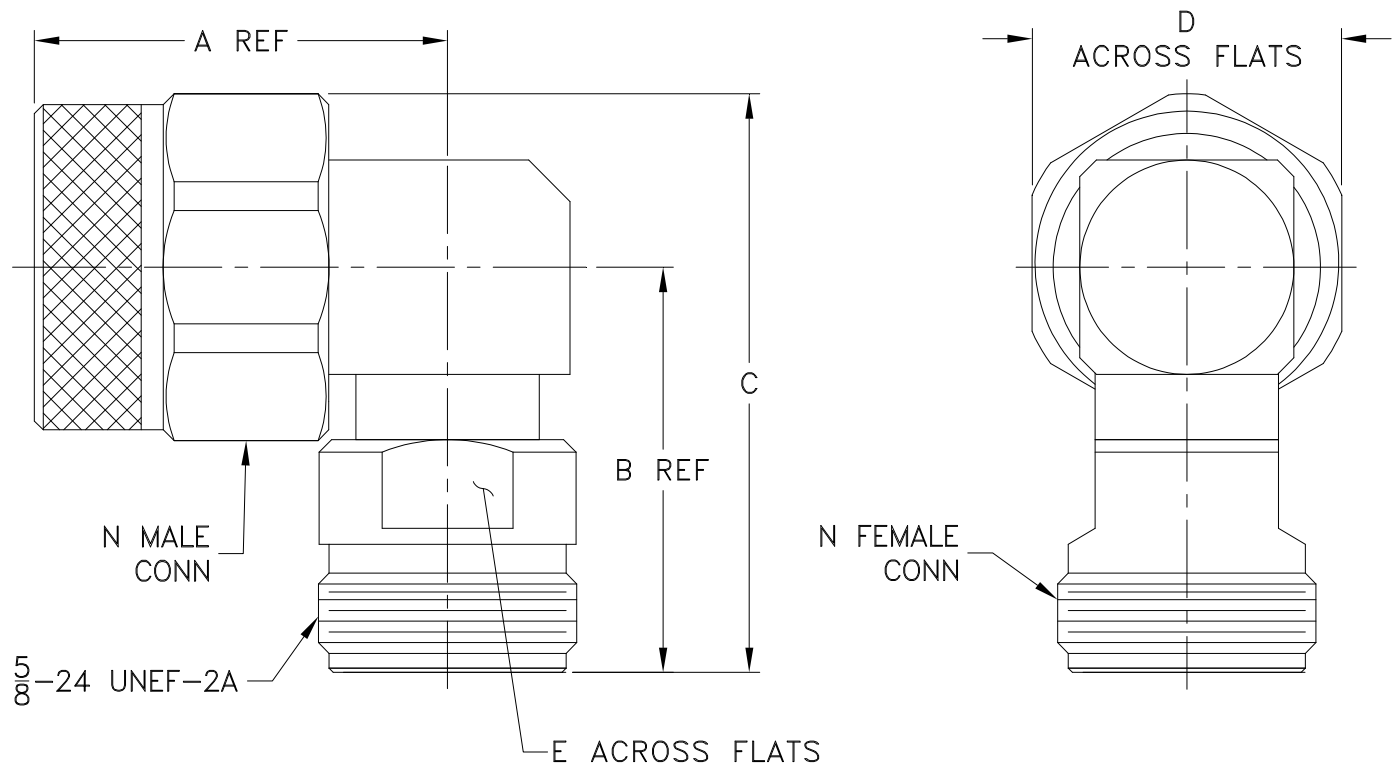


Outline Dimensions



CASE #	A	B	C	D	E	WT. GRAM
DJ2575	1.00 (25.40)	.98 (24.89)	1.40 (35.54)	.748 (19.00)	.472 (12.00)	56.3

Dimensions are in inches (mm). Tolerances: 2 Pl. $\pm .03$; 3Pl. $+ .015$

Note:

1. Case material: **Brass**
2. Coupling material: **Stainless Steel**
3. Case Finish: **Nickel plate**
4. Coupling Finish: **Passivation**



P.O. Box 350166, Brooklyn, New York 11235-0003 (718) 934-4500 Fax (718) 332-4661 For detailed performance specs & shopping online see Mini-Circuits web site



The Design Engineers Search Engine Provides ACTUAL Data Instantly From MINI-CIRCUITS At: www.minicircuits.com

RF/IF MICROWAVE COMPONENTS