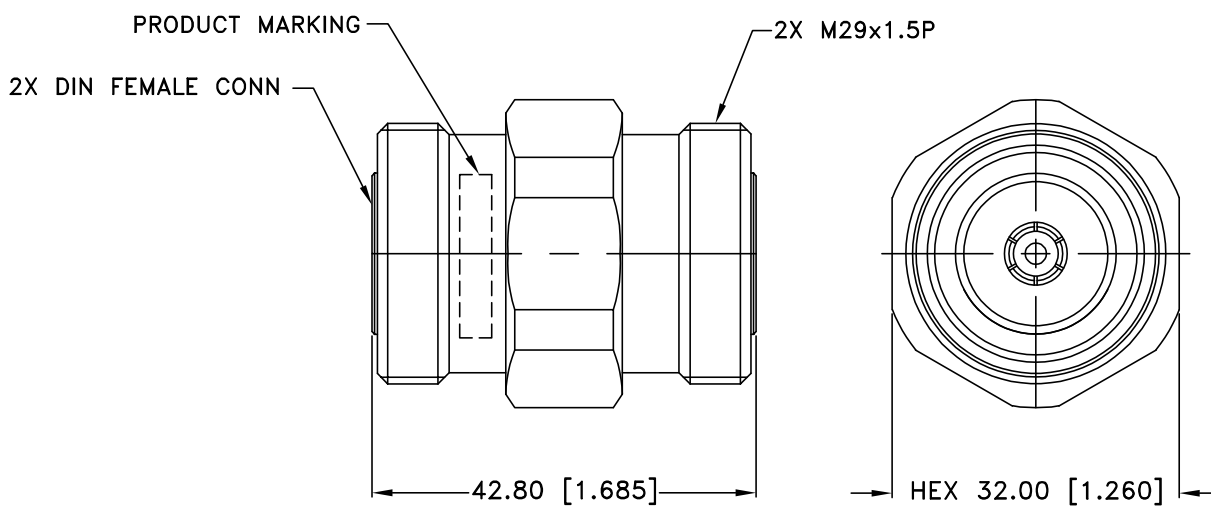


Case Style

DJ

Outline Dimensions

DJ3847



Dimensions are in MM [INCHES]. Tolerances: 2 Pl.±0.40 mm

Notes:

Case material: Brass.
Finish: Tri Metal Alloy Plating.

 **Mini-Circuits**[®]
ISO 9001 ISO 14001 CERTIFIED

ALL NEW
 minicircuits.com

P.O. Box 350166, Brooklyn, New York 11235-0003 (718) 934-4500 Fax (718) 332-4661 For detailed performance specs & shopping online see Mini-Circuits web site



The Design Engineers Search Engine Provides ACTUAL Data Instantly From MINI-CIRCUITS At: www.minicircuits.com

RF/IF MICROWAVE COMPONENTS