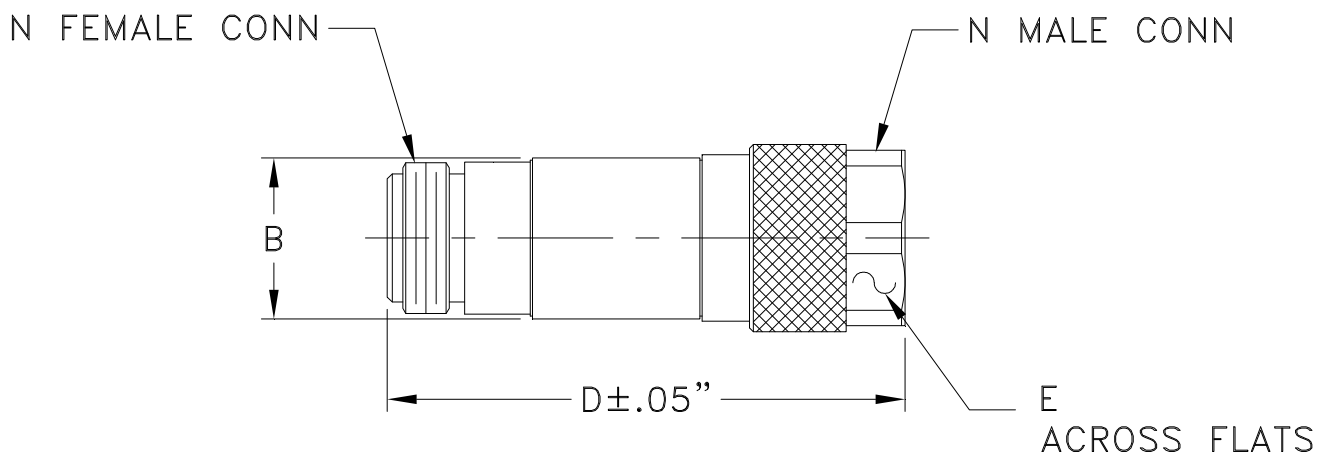


# Case Style

# FF

## Outline Dimensions

### FF779



CASE #.	A	B	C	D	E	WT GRAMS
FF779	--	.71 (18.03)	--	2.11 (53.59)	.718 (18.24)	72.5

Dimensions are in inches (mm). Tolerances: 2Pl. +.05/-.04; 3Pl. ± .030

### Notes:

1. Case material: Brass.
2. Case finish: Nickel plate.

 **Mini-Circuits**<sup>®</sup>  
ISO 9001 ISO 14001 CERTIFIED

ALL NEW  


P.O. Box 350166, Brooklyn, New York 11235-0003 (718) 934-4500 Fax (718) 332-4661 For detailed performance specs & shopping online see Mini-Circuits web site



The Design Engineers Search Engine Provides ACTUAL Data Instantly From MINI-CIRCUITS At: [www.minicircuits.com](http://www.minicircuits.com)

RF/IF MICROWAVE COMPONENTS

FF779 Rev.: AR (13/AUG/21) ECO-009237 File: FF779

This document and its contents are the property of Mini-Circuits.

Sheet 1 of 1