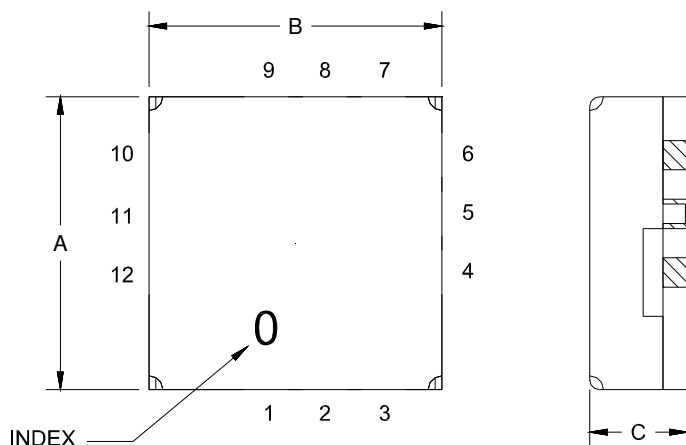
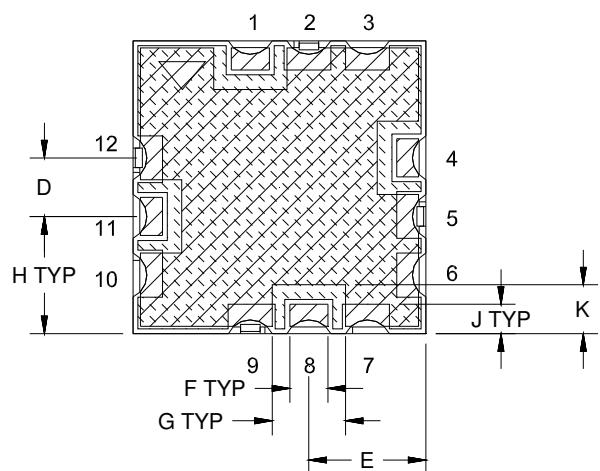
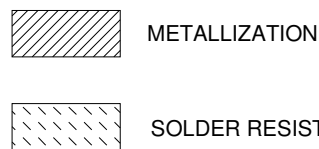
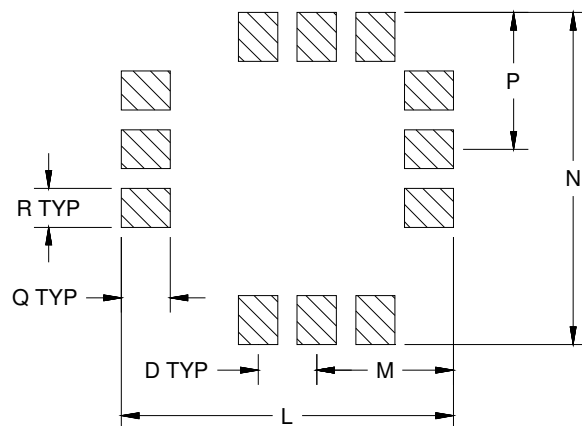


Outline Dimensions



PCB Land Pattern



CASE #	A	B	C	D	E	F	G	H	J	K
FZ990	.300 (7.62)	.300 (7.62)	.100 (2.54)	.060 (1.52)	.120 (3.05)	.039 (0.99)	.075 (1.91)	.120 (3.05)	.030 (0.76)	.050 (1.27)

CASE #	L	M	N	P	Q	R	WT. GRAM
FZ990	.340 (8.64)	.140 (3.56)	.340 (8.64)	.140 (3.56)	.050 (1.27)	.040 (1.02)	.25

Dimensions are in inches (mm). Tolerances: 2 Pl. $\pm .03$; 3Pl. $\pm .015$

Notes:

- Case material: Nickel-Silver alloy.
- Base: Printed wiring laminate.
- Termination finish:
For RoHS Case Styles: 3-5 μ inch (.08-.13 microns) Gold over 120-240 μ inch (3.05-6.10 microns) Nickel plate.



INTERNET <http://www.minicircuits.com>

P.O. Box 350166, Brooklyn, New York 11235-0003 (718) 934-4500 Fax (718) 332-4661

Distribution Centers NORTH AMERICA 800-654-7949 • 417-335-5935 • Fax 417-335-5945 • EUROPE 44-1252-832600 • Fax 44-1252-837010

Mini-Circuits ISO 9001 & ISO 14001 Certified