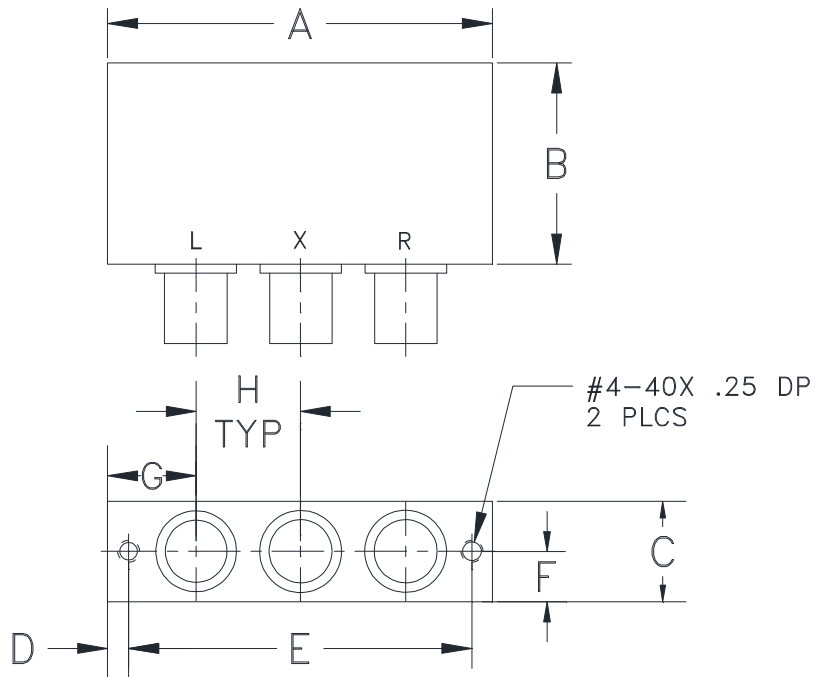


Outline Dimensions

GG60



CASE #.	A	B	C	D	E	F	G	H	WT. GRAM
GG60	2.31 (58.67)	1.20 (30.48)	.60 (15.24)	.125 (3.18)	2.062 (52.37)	.30 (7.62)	.53 (13.46)	.63 (16.00)	75.0

Dimensions are in inches (mm). Tolerances: 2Pl. $\pm .03$; 3Pl. $\pm .015$

Notes:

- Case material: Aluminum alloy.
- Case finish:
For RoHS Case Styles: Clear chemical conversion coating, non-chrome or trivalent chrome based.