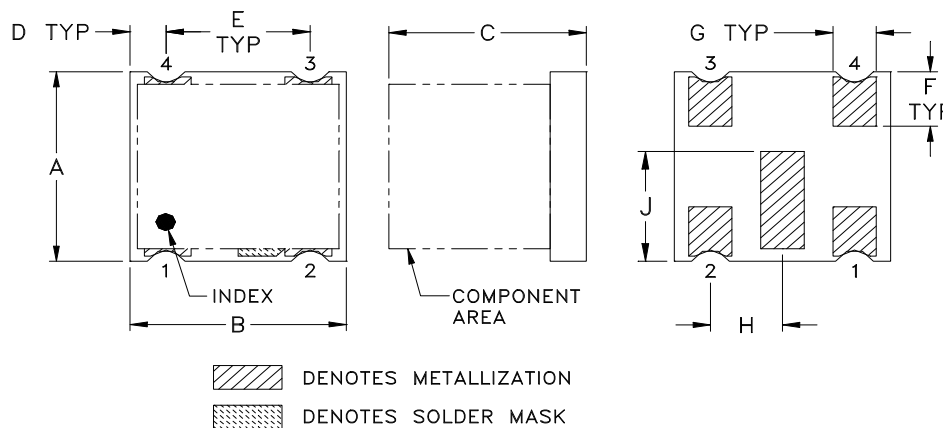
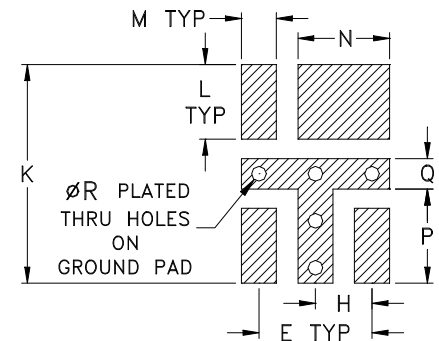


## Outline Dimensions

GU1414



## PCB Land Pattern



Suggested Layout,  
Tolerance to be within  $\pm 0.002$

| CASE # | A              | B              | C             | D             | E              | F              | G             | H              | J              | K              | L              | M             | N              |
|--------|----------------|----------------|---------------|---------------|----------------|----------------|---------------|----------------|----------------|----------------|----------------|---------------|----------------|
| GU1414 | .150<br>(3.81) | .150<br>(3.81) | .14<br>(3.56) | .025<br>(.64) | .100<br>(2.54) | .043<br>(1.09) | .030<br>(.76) | .050<br>(1.27) | .087<br>(2.21) | .193<br>(4.90) | .066<br>(1.68) | .031<br>(.79) | .081<br>(2.06) |

| CASE # | P              | Q             | R             | WT. GRAMS |
|--------|----------------|---------------|---------------|-----------|
| GU1414 | .083<br>(2.11) | .027<br>(.69) | .013<br>(.33) | .06       |

Dimensions are in inches (mm). Tolerances: 2 Pl.  $\pm .01$ ; 3 Pl.  $\pm .005$

### Notes:

1. Case material: Plastic.
2. Termination finish: 3-5 $\mu$ inch Gold over 120-240  $\mu$ inch Nickel Plate. All models (+) suffix.