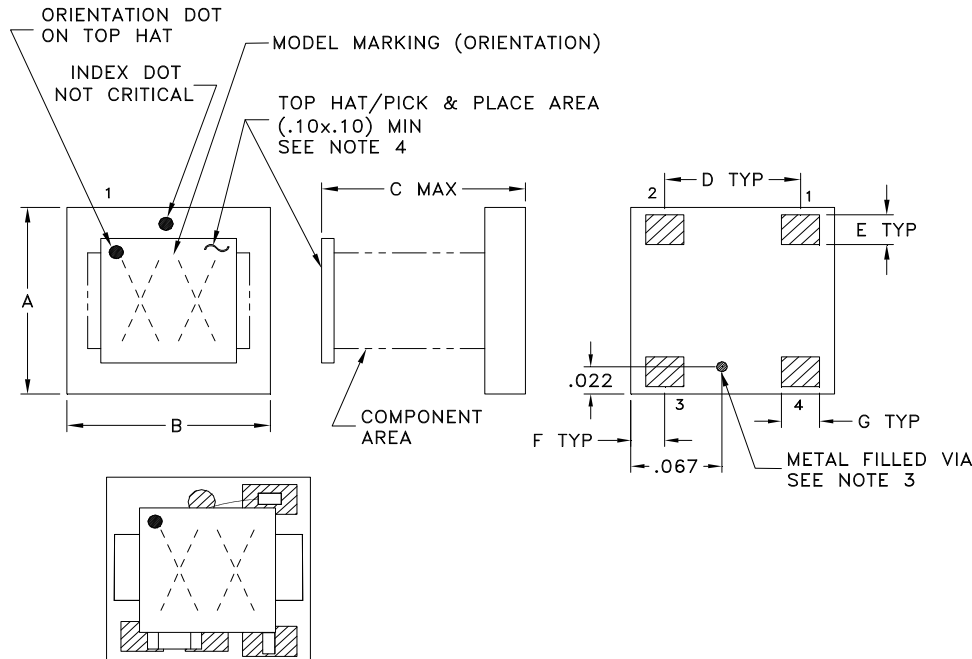


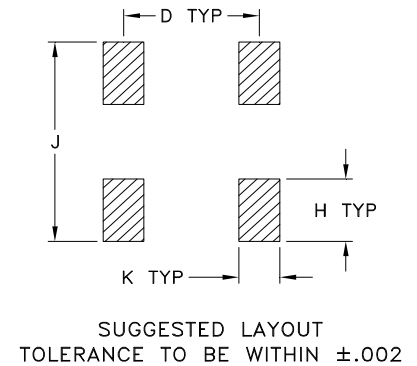
## Outline Dimensions

GU1604



TOP VIEW OF "TCBT" SERIES MODELS

## PCB Land Pattern



CASE #	A	B	C	D	E	F	G	H	J	K	WT.GRAMS
GU1604	.150 (3.81)	.150 (3.81)	.150 (3.81)	.100 (2.54)	.030 (.76)	.025 (.64)	.028 (.71)	.050 (1.27)	.160 (4.06)	.030 (.76)	.10

Dimensions are in inches (mm). Tolerances: 2 Pl.  $\pm .01$ ; 3 Pl.  $\pm .005$

### Notes:

1. Open style, Ceramic Base.
2. Termination finish: Silver Palladium or Gold Over Nickel based on stock availability.
3. Must be isolated from external conductors on mounting surface. Suggested solder mask area is .025 x .025.  
At Mini-Circuits option via may be removed.
4. Top-Hat total thickness: .013 inches MAX.
5. Orientation Dot on Top Hat corresponds to Pin #1.



P.O. Box 350166, Brooklyn, New York 11235-0003 (718) 934-4500 Fax (718) 332-4661 For detailed performance specs & shopping online see Mini-Circuits web site



The Design Engineers Search Engine Provides ACTUAL Data Instantly From MINI-CIRCUITS At: [www.minicircuits.com](http://www.minicircuits.com)

RF/IF MICROWAVE COMPONENTS