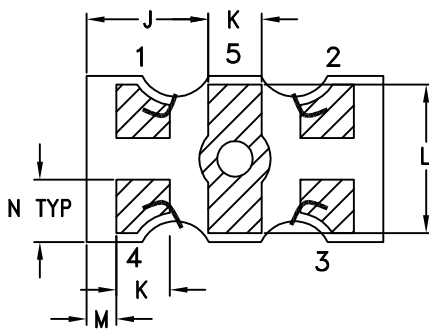
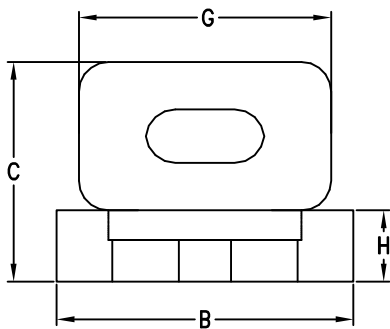
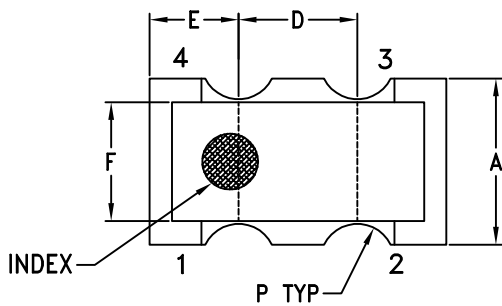


Case Style

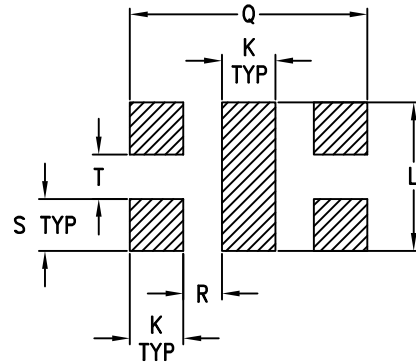
GU

Outline Dimensions

GU2939



PCB Land Pattern



Suggested Layout

Tolerance to be within ± 0.002

Wires shown are for reference only.

CASE #	A	B	C	D	E	F	G	H	J	K	L	M	N	P
GU2939	.056 (1.42)	.100 (2.54)	.074 (1.88)	.040 (1.02)	.030 (0.76)	.040 (1.02)	.085 (2.16)	.024 (0.61)	.041 (1.04)	.018 (0.46)	.050 (1.27)	.010 (0.25)	.021 (0.53)	.013 (0.33)

CASE #	Q	R	S	T	WT, GRAM
GU2939	.080 (2.03)	.013 (0.33)	.018 (0.46)	.014 (0.36)	.040

Dimensions are in inches (mm). Tolerances: 2 Pl. ± 0.01 ; 3 Pl. ± 0.005

Notes:

- Case material: Plastic Base.
- Termination finish: Gold Plating.

Mini-Circuits®
ISO 9001 ISO 14001 CERTIFIED

ALL NEW
minicircuits.com

P.O. Box 350166, Brooklyn, New York 11235-0003 (718) 934-4500 Fax (718) 332-4661 For detailed performance specs & shopping online see Mini-Circuits web site



The Design Engineers Search Engine Provides ACTUAL Data Instantly From MINI-CIRCUITS At: www.minicircuits.com

RF/IF MICROWAVE COMPONENTS