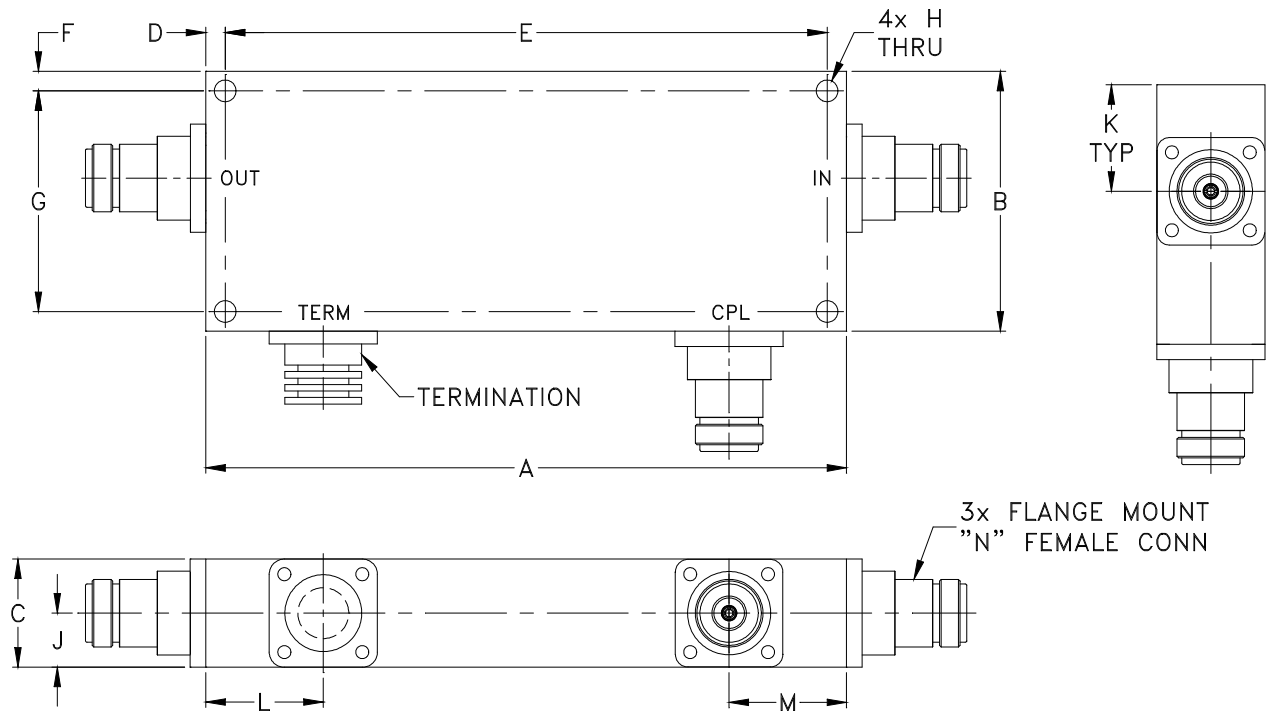


Outline Dimensions



CASE #	A	B	C	D	E	F	G	H	J	K	L	M	WT. GRAM
HT1398	5.93 (150.62)	2.40 (60.96)	1.00 (25.40)	.18 (4.57)	5.565 (141.35)	.18 (4.57)	2.040 (51.82)	.200 (5.08)	.50 (12.70)	.99 (25.15)	1.09 (27.69)	1.09 (27.69)	700.0

Dimensions are in inches (mm). Tolerances: 2Pl. $\pm .03$; 3Pl. $\pm .015$

Notes:

1. Case material: Aluminum alloy.
2. Case finish:

For RoHS Case Styles: Clear Chemical conversion coating, non-chrome or trivalent chrome based.