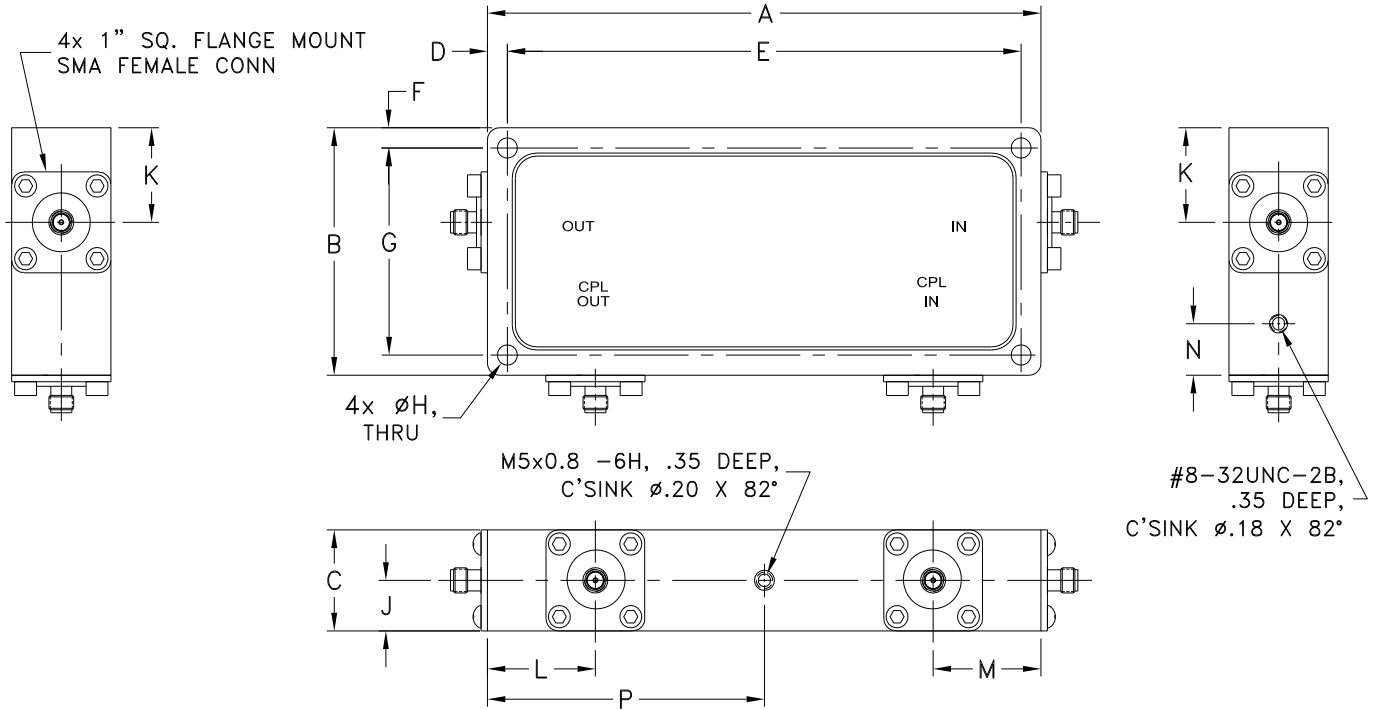


Case Style

HT

Outline Dimensions

HT1761-2



CASE #	A	B	C	D	E	F	G	H	J	K
HT1761-2	5.58 (141.73)	2.45 (62.23)	1.00 (25.40)	.20 (5.08)	5.175 (131.45)	.20 (5.08)	2.050 (52.07)	.200 (5.08)	.50 (12.70)	.94 (23.88)

CASE #	L	M	N	P	WT. GRAM
HT1761-2	1.09 (27.69)	1.09 (27.69)	.51 (12.95)	2.79 (70.87)	700.0

Dimensions are in inches (mm). Tolerances: 2Pl. $\pm .03$; 3Pl. $\pm .015$

Notes:

1. Case material: Aluminum alloy.
2. Case finish:

For RoHS Case Styles: Clear Chemical conversion coating, non-chrome or trivalent chrome based.

Mini-Circuits®
ISO 9001 ISO 14001 CERTIFIED

ALL NEW
minicircuits.com

P.O. Box 350166, Brooklyn, New York 11235-0003 (718) 934-4500 Fax (718) 332-4661 For detailed performance specs & shopping online see Mini-Circuits web site



The Design Engineers Search Engine Provides ACTUAL Data Instantly From MINI-CIRCUITS At: www.minicircuits.com

RF/IF MICROWAVE COMPONENTS