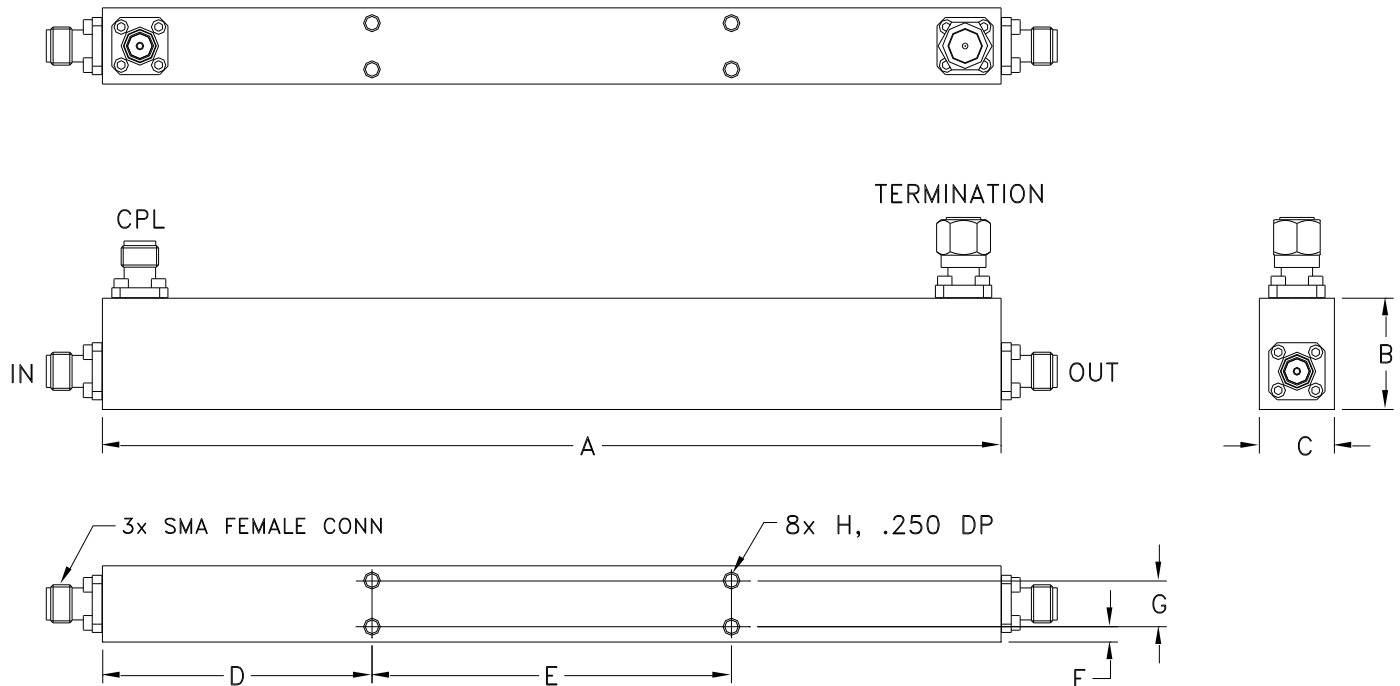


Case Style

HT

Outline Dimensions

HT1967-1



CASE #	A	B	C	D	E	F	G	H	J	K
HT1967-1	6.00 (152.40)	.73 (18.54)	.50 (12.70)	1.80 (45.72)	2.400 (60.96)	.10 (2.54)	.300 (7.62)	#4-40 UNC-2B	-- --	-- --

CASE #	L	M	WT. GRAM
HT1967-1	-- --	-- --	120.0

Dimensions are in inches (mm). Tolerances: 2Pl. $\pm .03$; 3Pl. $\pm .015$

Notes:

1. Case material: Aluminum alloy.
2. Case finish: Painting. Color: Blue, Pantone 286.

Mini-Circuits®
ISO 9001 ISO 14001 CERTIFIED

ALL NEW
minicircuits.com

P.O. Box 350166, Brooklyn, New York 11235-0003 (718) 934-4500 Fax (718) 332-4661 For detailed performance specs & shopping online see Mini-Circuits web site



The Design Engineers Search Engine Provides ACTUAL Data Instantly From MINI-CIRCUITS At: www.minicircuits.com

RF/IF MICROWAVE COMPONENTS