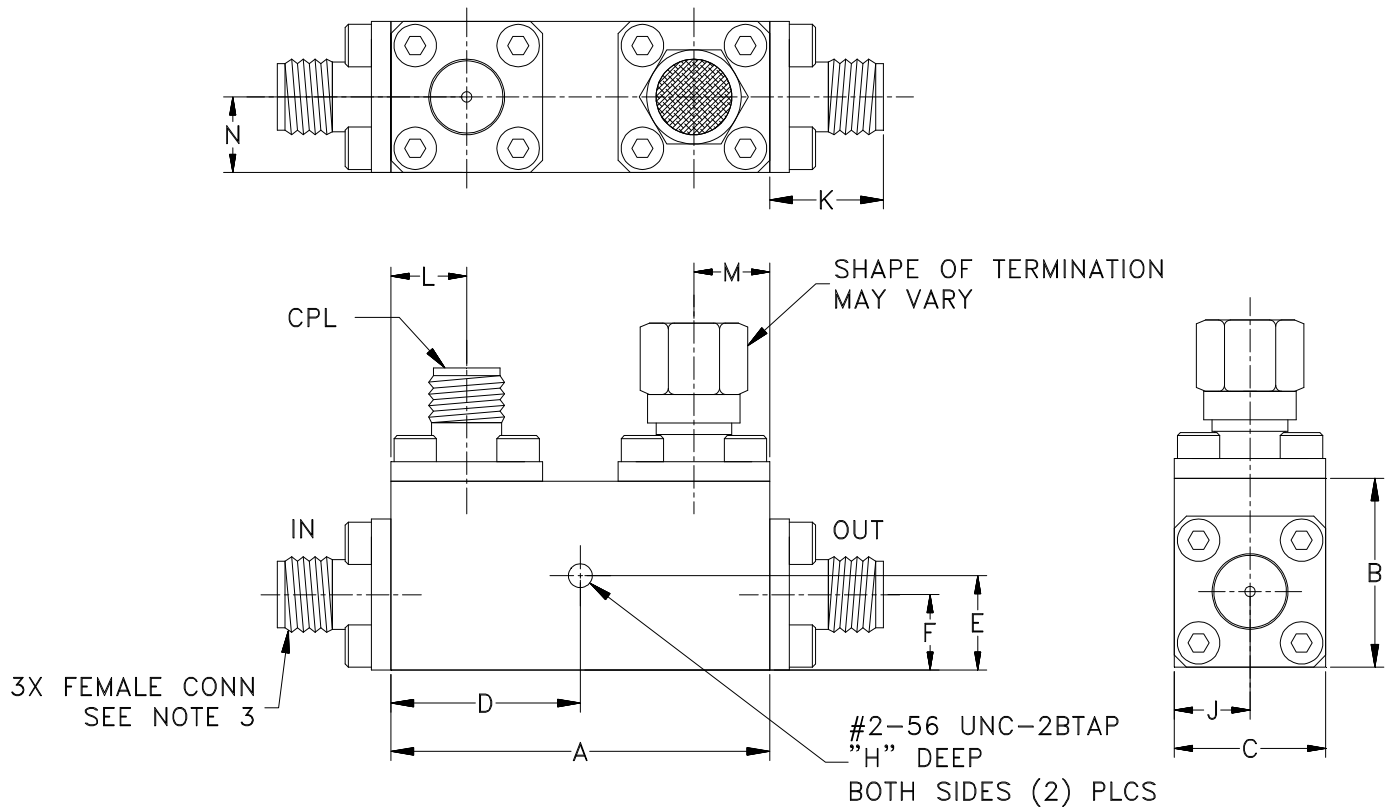


Outline Dimensions

HT2536-1



CASE #	A	B	C	D	E	F	G	H	J	K
HT2536-1	1.25 (31.75)	.63 (15.9)	.50 (12.7)	.625 (15.88)	.313 (7.94)	.25 (6.35)	-	.120 (3.05)	.25 (6.35)	.43 (11.0)

CASE #	L	M	N	WT. GRAM
HT2536-1	.25 (6.35)	.25 (6.35)	.25 (6.35)	50

Dimensions are in inches (mm). Tolerances: 2Pl. $\pm .03$; 3Pl. $\pm .015$

Notes:

1. Case material: Aluminum alloy.
2. Case finish: Painting Color: Blue.
3. Refer to the individual model data sheet for the types of connectors available.

Mini-Circuits®
ISO 9001 ISO 14001 CERTIFIED

ALL NEW
minicircuits.com

P.O. Box 350166, Brooklyn, New York 11235-0003 (718) 934-4500 Fax (718) 332-4661 For detailed performance specs & shopping online see Mini-Circuits web site



The Design Engineers Search Engine Provides ACTUAL Data Instantly From MINI-CIRCUITS At: www.minicircuits.com

RF/IF MICROWAVE COMPONENTS