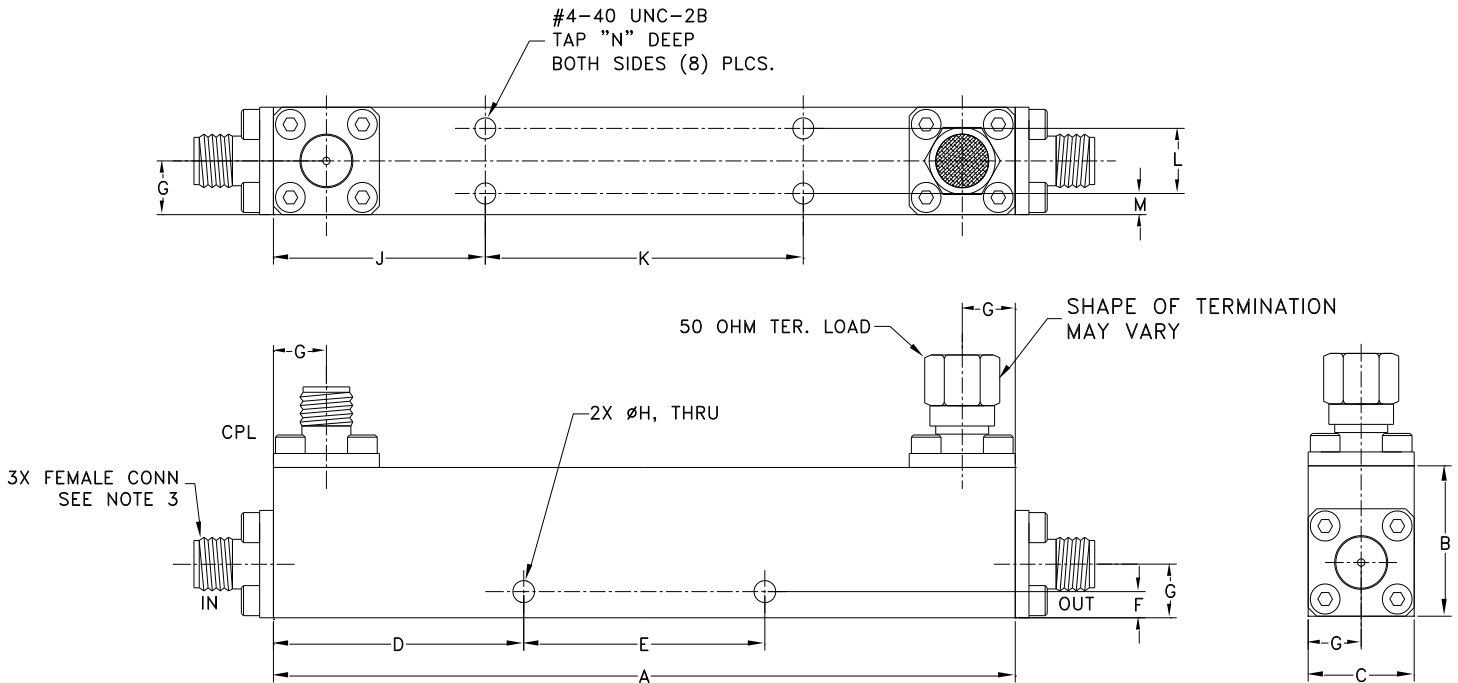


Outline Dimensions



CASE #	A	B	C	D	E	F	G	H	J	K
HT2679-N	3.50 (88.90)	.70 (17.78)	.50 (12.70)	1.181 (30.00)	1.138 (28.90)	.122 (3.10)	.25 (6.35)	.102 (2.60)	1.000 (25.40)	1.500 (38.10)

CASE #	L	M	N	WT. GRAM
HT2679-N	.0303 (7.70)	0.098 (2.50)	0.20 (5.08)	80

Dimensions are in inches (mm). Tolerances: 2Pl. $\pm .03$; 3Pl. $\pm .015$

Notes:

1. Case material: Aluminum alloy.
2. Case finish: Nickel Plating.
3. Refer to the individual model data sheet for the type of connectors available.

Mini-Circuits®
ISO 9001 ISO 14001 CERTIFIED

ALL NEW
minicircuits.com

P.O. Box 350166, Brooklyn, New York 11235-0003 (718) 934-4500 Fax (718) 332-4661 For detailed performance specs & shopping online see Mini-Circuits web site



The Design Engineers Search Engine Provides ACTUAL Data Instantly From MINI-CIRCUITS At: www.minicircuits.com

RF/MICROWAVE COMPONENTS