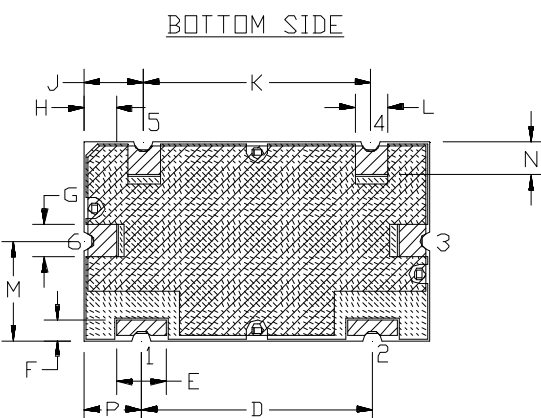
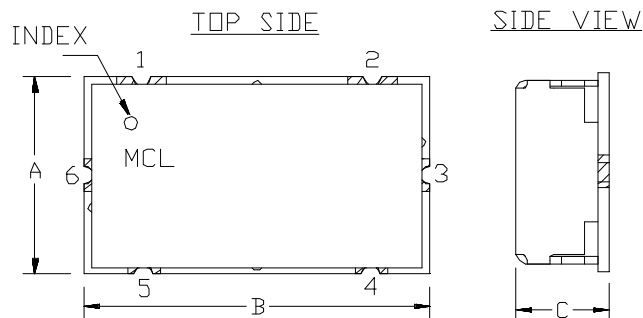


Case Style

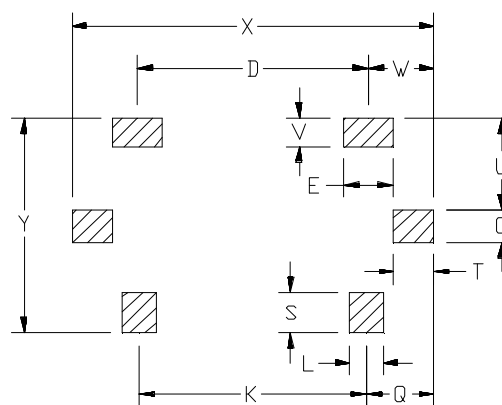
HZ

Outline Dimensions

HZ1198



PCB Land Pattern



 METALLIZATION  SOLDER RESIST

Suggested Layout,
Tolerance to be within $\pm .002$

CASE #	A	B	C	D	E	F	G	H	J	K	L	M
HZ1198	.472" (11.99)	.826" (20.98)	.220" (5.59)	.551" (14.00)	.118" (3.00)	.047" (1.19)	.078" (1.98)	.076" (1.92)	.142" (3.61)	.543" (13.79)	.078" (1.98)	.236" (5.99)

CASE #	N	P	Q	S	T	U	V	W	X	Y	WT GRAMS	NOTES
HZ1198	.079" (2.01)	.138" (3.51)	.162" (4.11)	.098" (2.49)	.096" (2.44)	.217" (5.51)	.067" (1.70)	.157" (3.99)	.866" (22.00)	.512" (13.00)	6.0	A35

Dimensions are in inches (mm). Tolerances: 2PL. +/- .03; 3PL. +/- .015

Notes:

1. Case material: Nickel-Silver alloy.
2. Base: Printed wiring laminate.
3. Termination finish:

For RoHS Case Styles: 3-5 μ inch (.08-13 microns) Gold over 120-240 μ inch (3.05-6.10 microns) Nickel plate.
For RoHS-5 Case Styles: Tin-Lead plate.


ISO 9001 ISO 14001 CERTIFIED

ALL NEW


P.O. Box 350166, Brooklyn, New York 11235-0003 (718) 934-4500 Fax (718) 332-4661 For detailed performance specs & shopping online see Mini-Circuits web site



The Design Engineers Search Engine Provides ACTUAL Data Instantly From MINI-CIRCUITS At: www.minicircuits.com

RF/IF MICROWAVE COMPONENTS