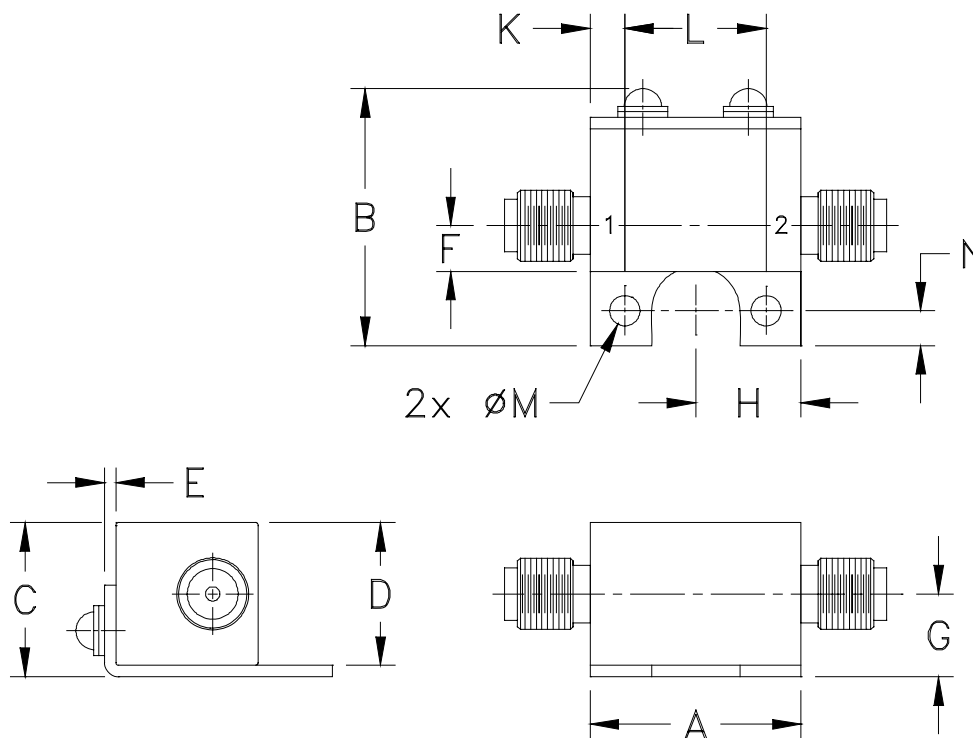


Outline Dimensions



CASE #.	A	B	C	D	E	F	G	H	J	K	L	M	N	WT, GRAM
JA1242	.74 (18.80)	.90 (22.86)	.54 (13.72)	.50 (12.70)	.04 (1.02)	.16 (4.06)	.29 (7.37)	.37 (9.40)	- -	.122 (3.10)	.496 (12.60)	.106 (2.69)	.122 (3.10)	19.0

Dimensions are in inches (mm). Tolerances: 2Pl. $\pm .03$; 3Pl. $\pm .015$.
Tolerance on hole size and interaxes dimensions to be $\pm .005$.

Notes:

1. Case material: Brass.
2. Case finish: Nickel plate.

Mini-Circuits®

Distribution Centers NORTH AMERICA 800-654-7949 • 417-335-5935 • Fax 417-335-5945 • EUROPE 44-1252-832600 • Fax 44-1252-837010

Mini-Circuits ISO 9001 & ISO 14001 Certified

INTERNET <http://www.minicircuits.com>

P.O. Box 350166, Brooklyn, New York 11235-0003 (718) 934-4500 Fax (718) 332-4661