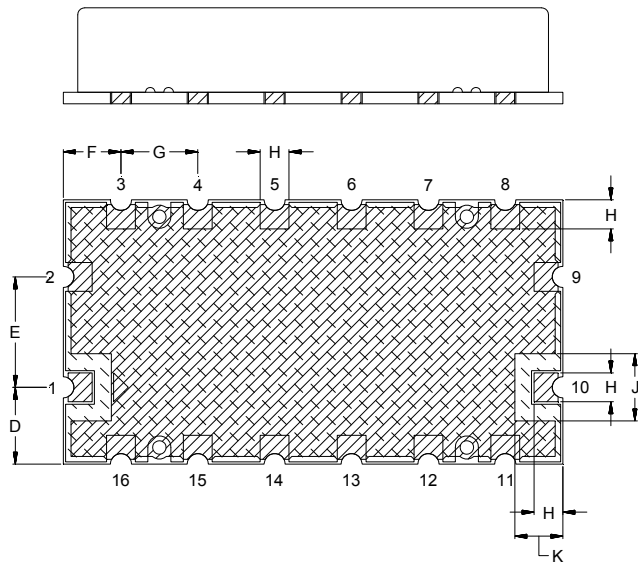
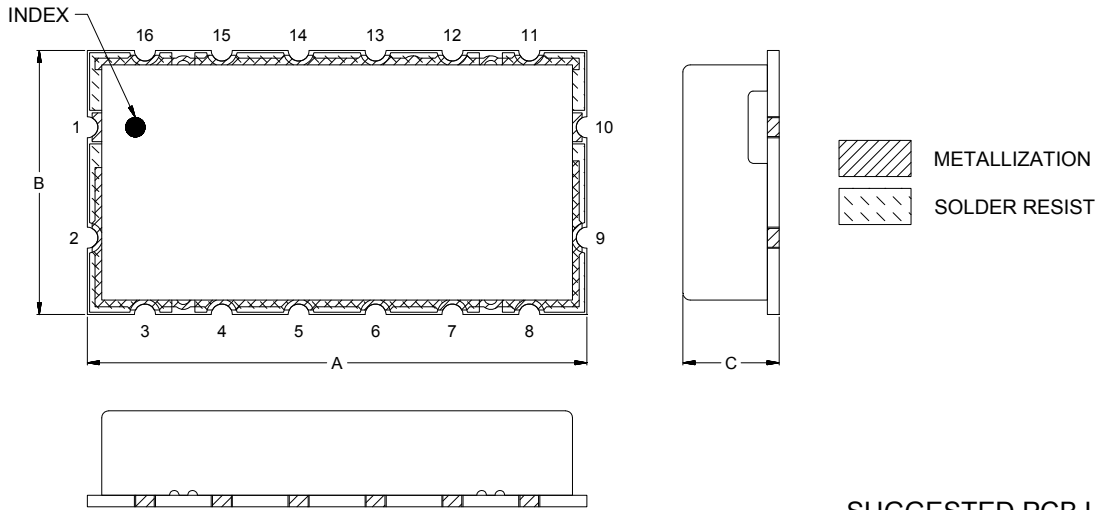
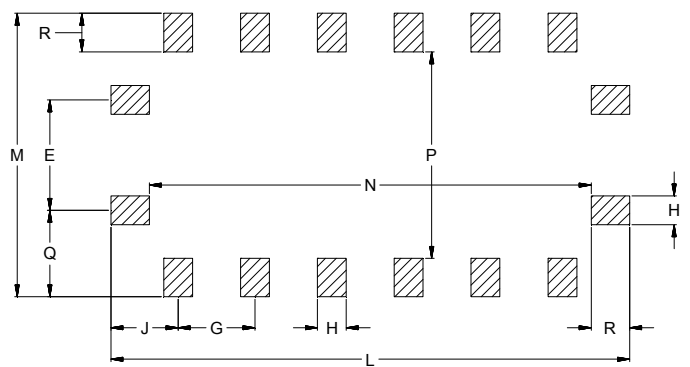


Outline Dimensions



SUGGESTED PCB LAND PATTERN



CASE#	A	B	C	D	E	F	G	H	J	K	L	M
KV1974	1.040 (26.42)	.550 (13.97)	.200 (5.08)	.160 (4.06)	.230 (5.84)	.120 (3.05)	.160 (4.06)	.060 (1.52)	.140 (3.56)	.100 (2.54)	1.080 (27.43)	.590 (14.99)

CASE#	N	P	Q	R	WT. GRAM
KV1974	.920 (23.37)	.430 (10.92)	.180 (4.57)	.080 (2.03)	2

Dimensions are in inches (mm). Tolerances: 2PL. $\pm .03$; 3PL. $\pm .015$

Notes:

- Case material: Nickel-Silver alloy.
- Base: Printed wiring laminate.
- Termination finish:
 - For RoHS Case Styles: 3-5 μ inch (.08-.13 microns) Gold over 120-240 μ inch (3.05-6.10 microns) Nickel plate.
 - For RoHS-5 Case Styles: Tin-Lead plate.



P.O. Box 350166, Brooklyn, New York 11235-0003 (718) 934-4500 Fax (718) 332-4661 For detailed performance specs & shopping online see Mini-Circuits web site



The Design Engineers Search Engine Provides ACTUAL Data Instantly From MINI-CIRCUITS At: www.minicircuits.com

RF/IF MICROWAVE COMPONENTS