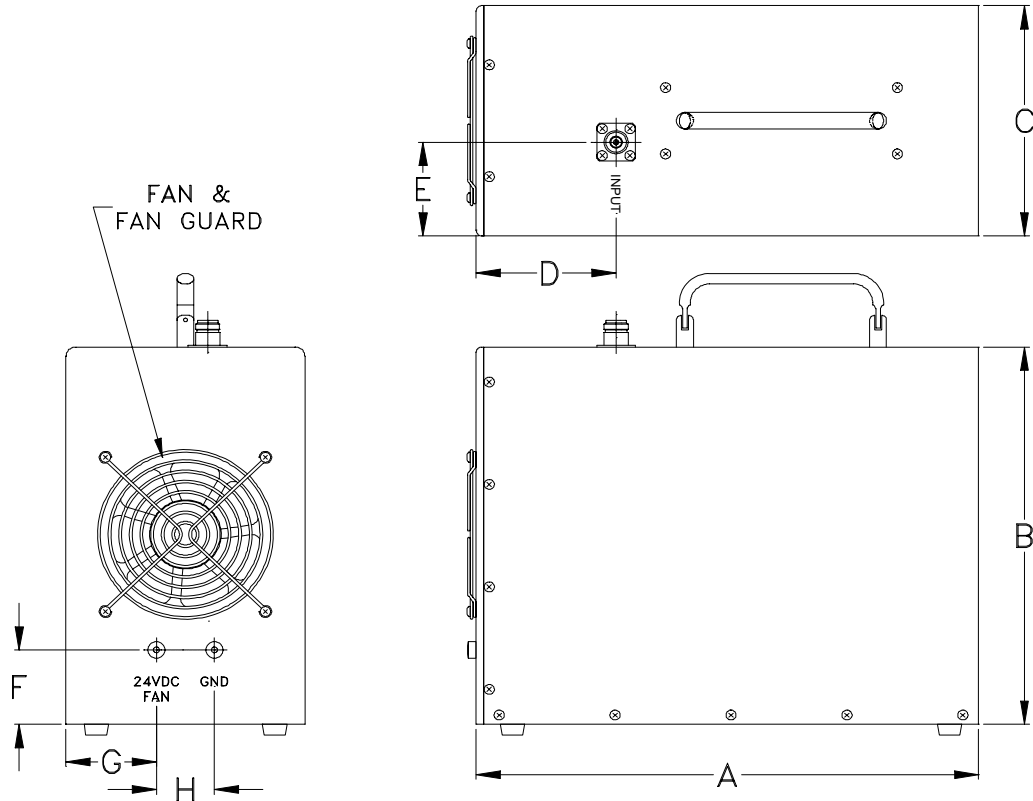


Outline Dimensions

MD1561



CASE #.	A	B	C	D	E	F	G	H	WT, GRAM
MD1561	13.0 (330.20)	10.1 (256.54)	6.2 (157.48)	3.62 (91.95)	2.52 (64.01)	2.00 (50.80)	2.34 (59.44)	1.50 (38.10)	14050

Dimensions are in inches (mm). Tolerances: 1 Pl. $\pm .1$; 2 Pl. $\pm .03$; 3 Pl. $\pm .015$

Notes:

- Case material: Aluminum alloy.
- Finish:
Case – Powder coating, Color: Blue.
Front panel - Clear chemical conversion coating, non-chrome or trivalent chrome based.
- Refer to the individual model data sheet for the type of connectors available



INTERNET <http://www.minicircuits.com>

P.O. Box 350166, Brooklyn, New York 11235-0003 (718) 934-4500 Fax (718) 332-4661

Distribution Centers NORTH AMERICA 800-654-7949 • 417-335-5935 • Fax 417-335-5945 • EUROPE 44-1252-832600 • Fax 44-1252-837010

Mini-Circuits ISO 9001 & ISO 14001 Certified