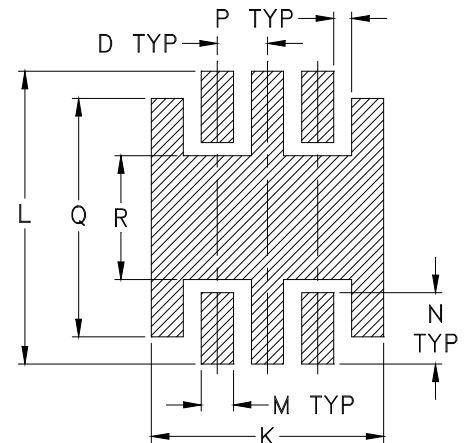
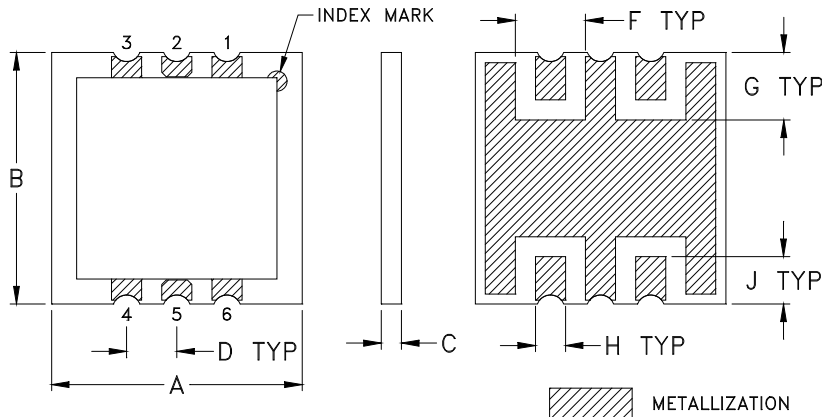


Outline Dimensions

MW1654

PCB Land Pattern



Suggested Layout,
Tolerance to be within ± 0.02

CASE#	A	B	C	D	E	F	G	H	J	K	L	M
MW1654	.250 (6.35)	.250 (6.35)	.02 (0.51)	.05 (1.27)	- -	.070 (1.78)	.067 (1.70)	.030 (0.76)	.047 (1.19)	.232 (5.89)	.291 (7.39)	.032 (0.81)

CASE#	N	P	Q	R	WT, GRAM
MW1654	.071 (1.80)	.018 (0.46)	.237 (6.02)	.123 (3.12)	0.05

Dimensions are in inches (mm). Tolerances: 3 Pl. $\pm .003$ unless otherwise specified

Notes:

- Case material: Plastic.
- Base Material: 20 mil thk. Laminate.
- Termination finish: For RoHS Case Style: 2-5 μ inch (.05-.13 microns) Gold over 120-240 μ inch (3.05-6.10 microns) Nickel plate. All models, (+) suffix.



INTERNET <http://www.minicircuits.com>

P.O. Box 350166, Brooklyn, New York 11235-0003 (718) 934-4500 Fax (718) 332-4661

Distribution Centers NORTH AMERICA 800-654-7949 • 417-335-5935 • Fax 417-335-5945 • EUROPE 44-1252-832600 • Fax 44-1252-837010

Mini-Circuits ISO 9001 & ISO 14001 Certified